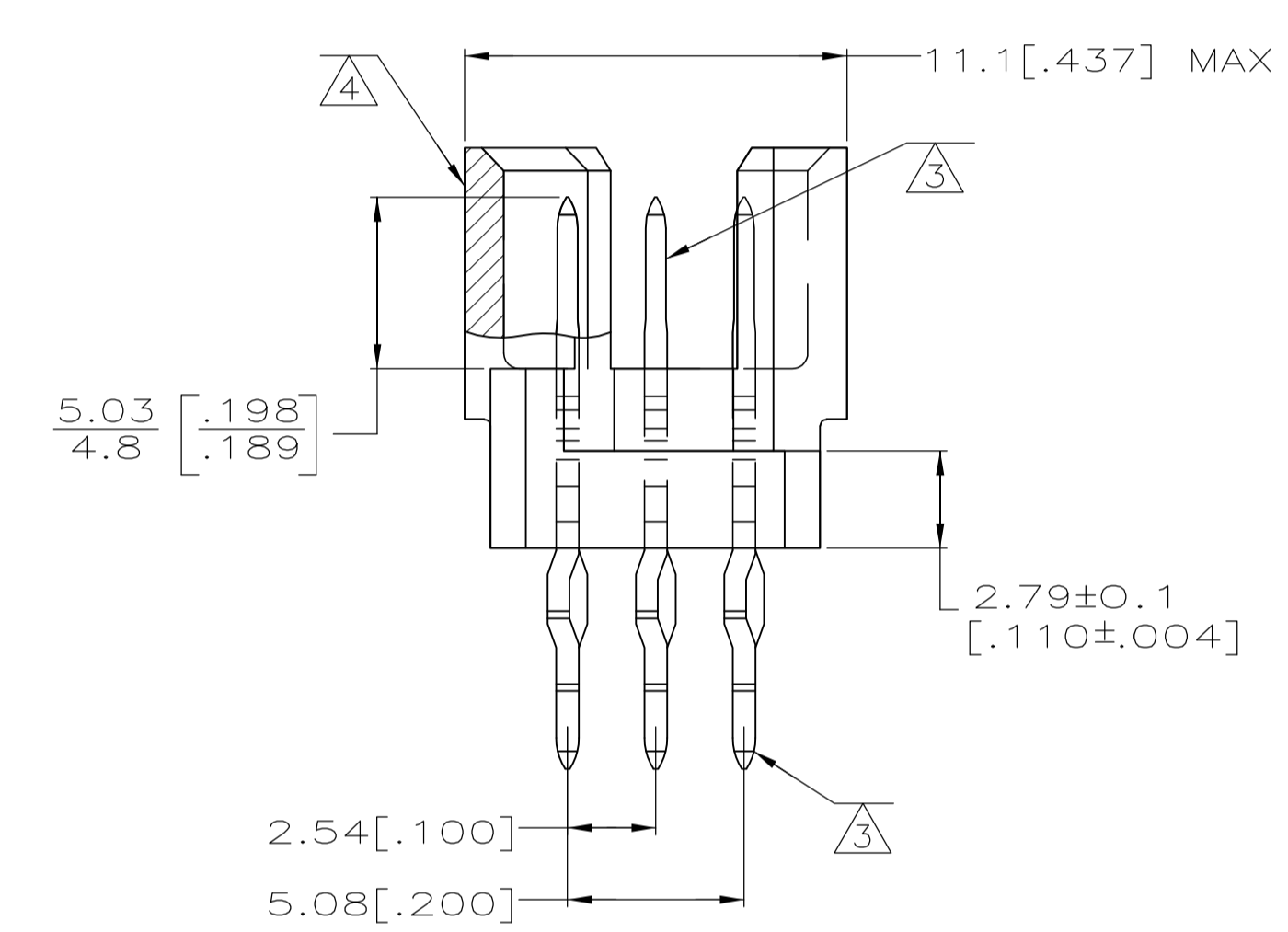


- 1 HOUSING MATERIAL: GLASS-FILLED POLYMER.
- 2 POST MATERIAL: COPPER ALLOY.
- 3 POST FINISH: DIN 41612 CLASS 2 IN CONTACT AREA. TIN PLATE ON POSTS.
- 4 MARKING ON THIS SIDE.
- 5 ACTION PIN POSTS REQUIRE 2.36[.093] MINIMUM THICK PC BOARD. RECOMMENDED PC BOARD HOLES ARE 1.151[.0453] DIA PLATED THROUGH WITH 0.02-0.08[.001-.003] COPPER AND 0.008[.0003] MINIMUM TIN-LEAD PLATING. FINISHED HOLE AFTER PLATING, 0.94-1.09[.037-.043] DIA.
- 6 PART NUMBER, DATE CODE MARKED THIS APPROXIMATE AREA.



PC BOARD LAYOUT

1-32	X	X	X	96	5650889-5
POSITIONS LOADED	C	B	A	NO. OF LOADED POSITION	ASSY PART NUMBER
	ROWS LOADED				

THIS DRAWING IS A CONTROLLED DOCUMENT.

DIMENSIONS: mm [INCHES]	TOLERANCES UNLESS OTHERWISE SPECIFIED:	DIN J. POLIGNONE	OSMAYOS	 TE Connectivity
0 PLC ± -	1 PLC ± -	OSMAYOS	OSMAYOS	
2 PLC ± 0.13[.005]	3 PLC ± -	APVD A. SHARPE	OSMAYOS	NAME
4 PLC ± -	ANGLES ± -	PRODUCT SPEC		ASSEMBLY, PIN, EUROCARD, TYPE R, 96 POSITION, 6.35[.250] PRESS-FIT POSTS.
MATERIAL	FINISH	APPLICATION SPEC		SIZE
		WEIGHT	A1	CAGE CODE
		CUSTOMER DRAWING	00779	DRAWING NO
			5650889	RESTRICTED TO
		SCALE	5:1	SHEET
			1	OF
			1	REV
			P	