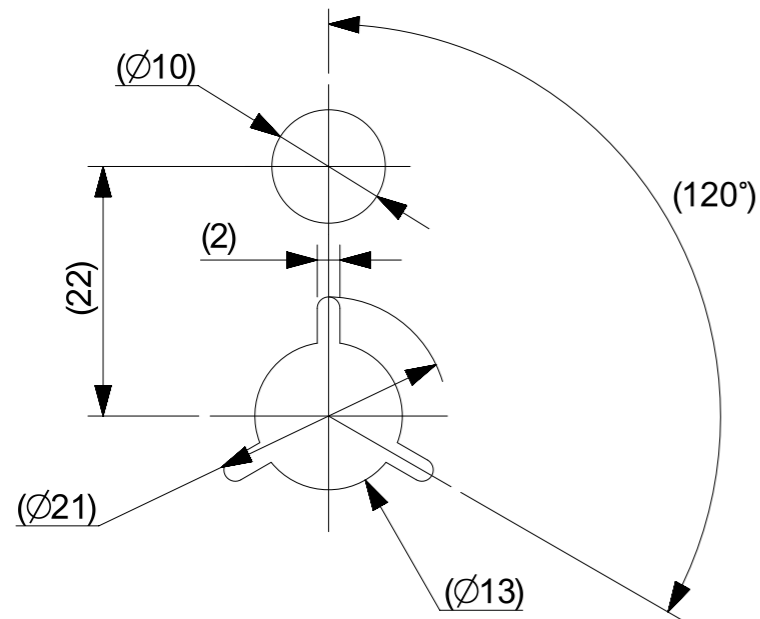
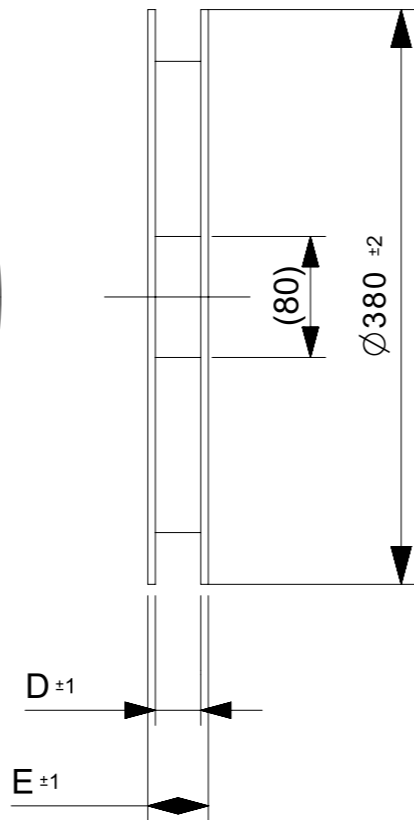
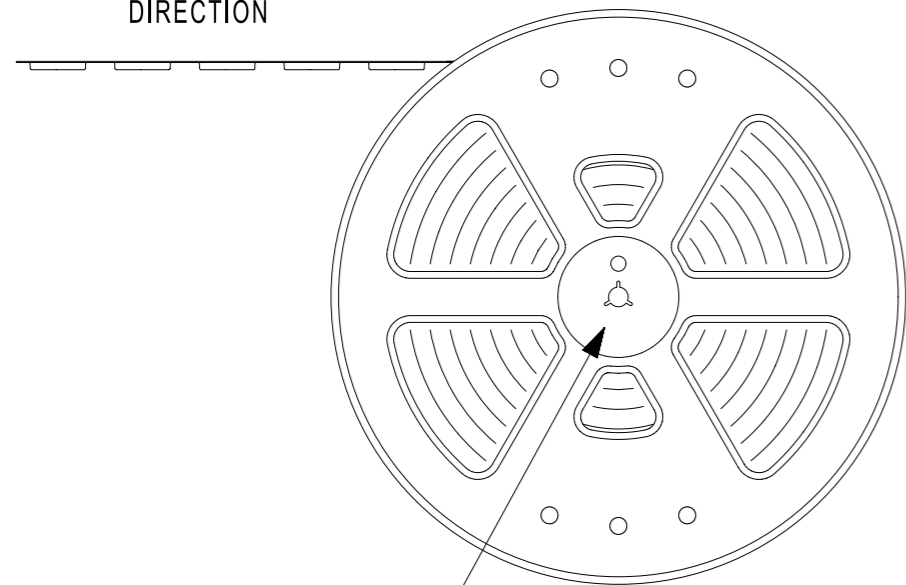


引き出し方向

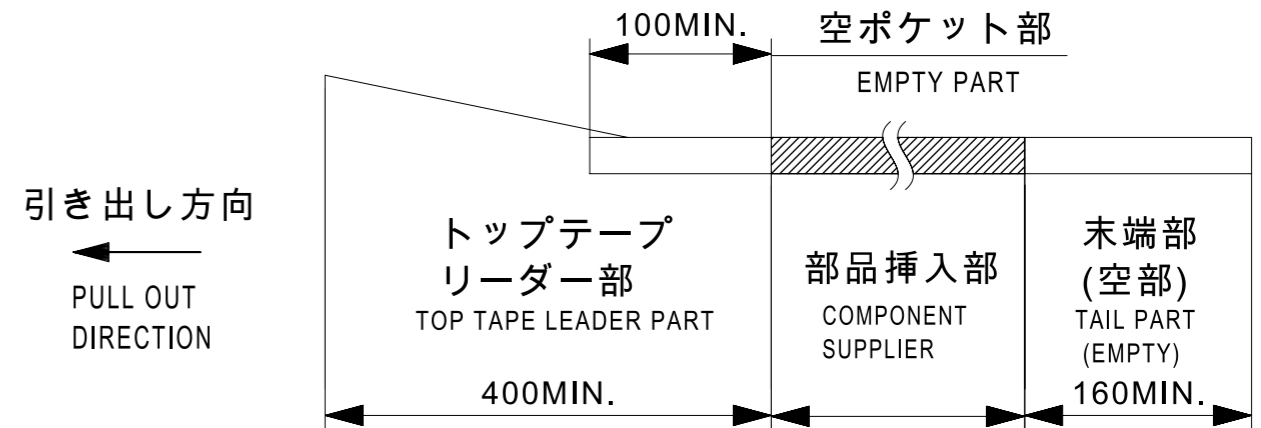
PULL OUT  
DIRECTION



DETAIL "E"

NOTES

- 梱包数量 : 3000個 / リール  
NUMBER OF CONNECTORS : 3000 PCS/REEL.
- リードテープ長さ  
LEAD TAPE LENGTH

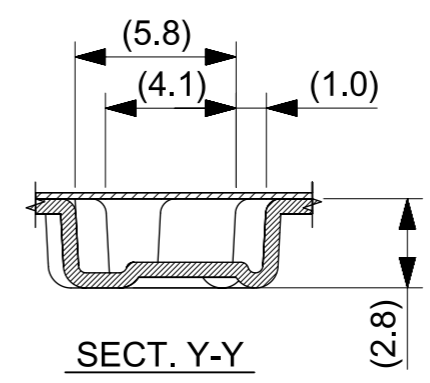
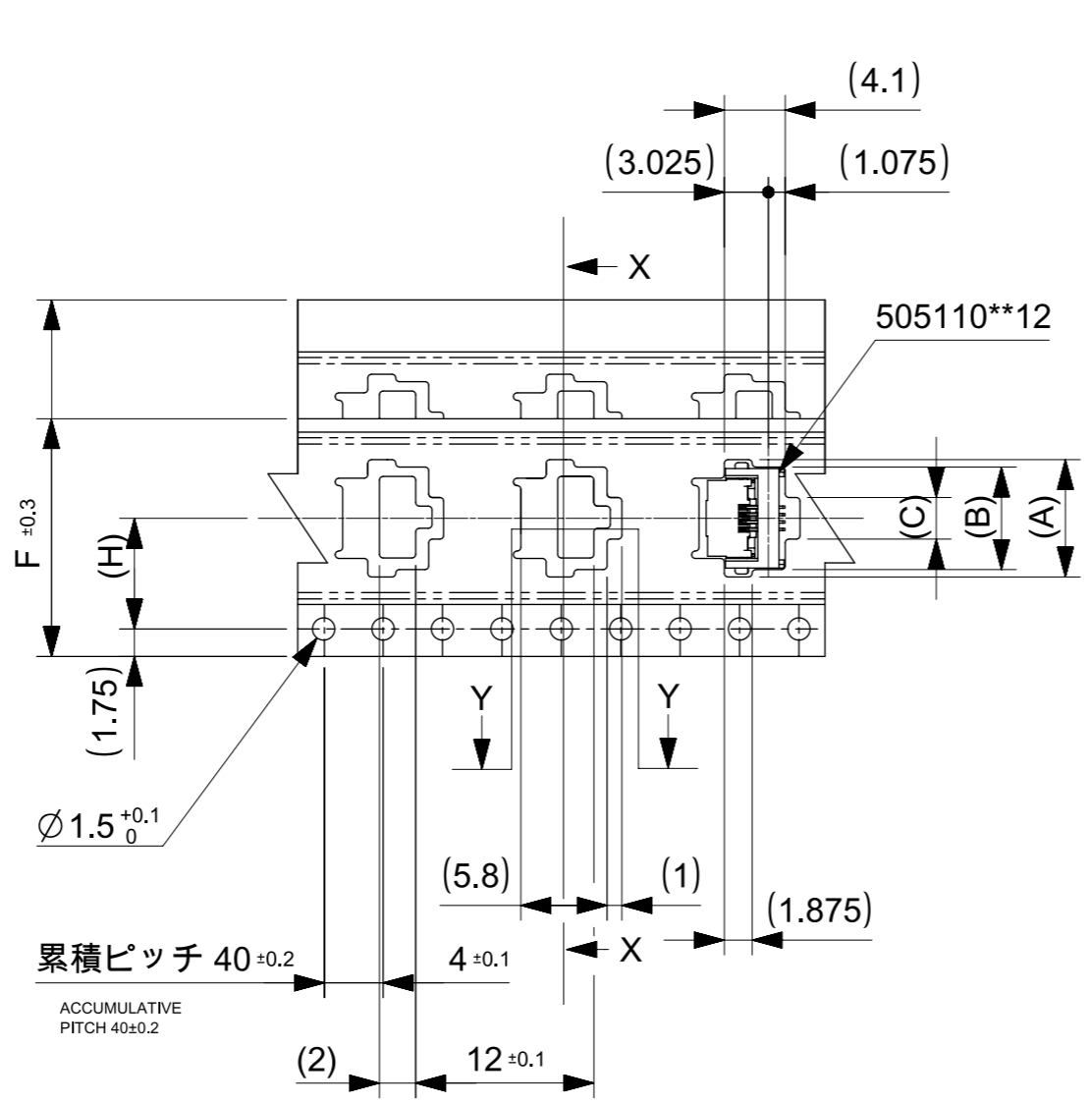
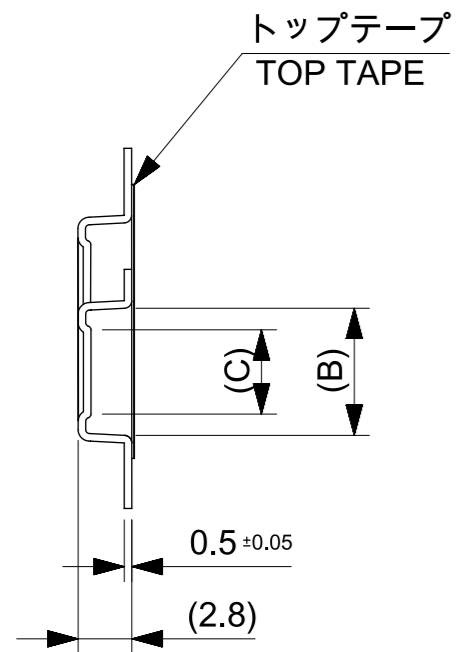


- カバーテープの剥離強度については、IEC60286-3に準拠。  
COVER TAPE PEEL FORCE IS DEFINED BY IEC 60286-3.
- 製品詳細寸法については、図面 5051101001-000を参照下さい。  
FOR DIMENSIONS OF PRODUCT, REFER TO 5051101001-000.
- 材料 MATERIAL  
キャリアテープ : ポリスチレン  
CARRIER TAPE : POLYSTYRENE  
トップテープ : ポリエチレンテレフタレート、ポリエチレン  
TOP TAPE : POLYETHYLENE TEREPHTHALATE, POLYETHYLENE  
リール : ポリスチレン<リサイクル材を含む>  
REEL : POLYSTYRENE <RECYCLE MATERIAL CONTAINED >
- ELV及びRoHS適合品 ELV AND RoHS COMPLIANT.

THIS DRAWING CONTAINS INFORMATION THAT IS PROPRIETARY TO MOLEX INCORPORATED AND SHOULD NOT BE USED WITHOUT WRITTEN PERMISSION

EC DESCRIPTION EC NO: 100528 DRWN: NKONDO CHK'D: KTAKAHASHI APPR: KIMORIKAWA	2015/06/30	2015/06/30	2015/06/30	QUALITY SYMBOLS ▽ = 0 ▽ = 0 ▽ = 0 ▼ = 0 ▽ = 0 ☒ = 0 ■ = 0 ▽ = 0	GENERAL TOLERANCES (UNLESS SPECIFIED)		DIMENSION UNITS MM		SCALE 2:1						
	ANGULAR TOL ± 1.0 °				DRWN BY FSATO		DATE 2015/04/30		0.5 FPC CONN ZIF E/O 2 CONT TYPE EMB PKG						
	4 PLACES ± 0.05		3 PLACES ± 0.1		CHK'D BY KTAKAHASHI		DATE 2015/06/30						PRODUCT CUSTOMER DRAWING		
	2 PLACES ± 0.2		1 PLACE ± 0.2		APPR BY DATE		DRAWING SIZE A3		THIRD ANGLE PROJECTION		SERIES 505110				
0 PLACES ± 0.2		DRAFT WHERE APPLICABLE MUST REMAIN WITHIN DIMENSIONS		DOCUMENT NUMBER 5051100001		DOC TYPE PSD		DOC PART 000		SHEET NUMBER 1 OF 2					

引き出し方向  
PULL OUT  
DIRECTION

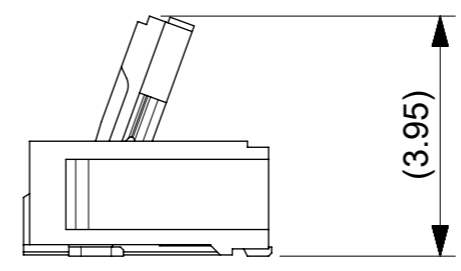
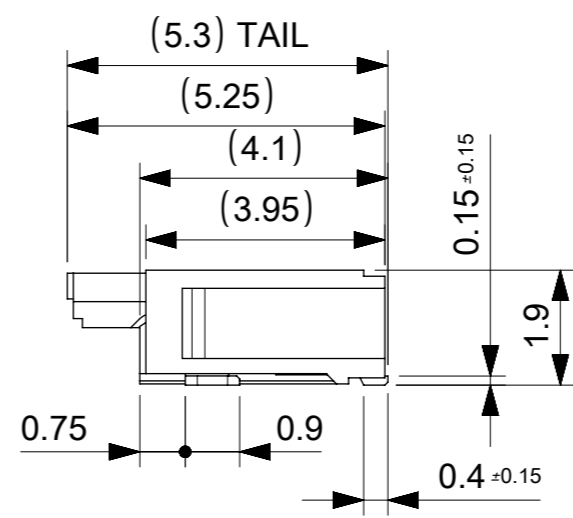
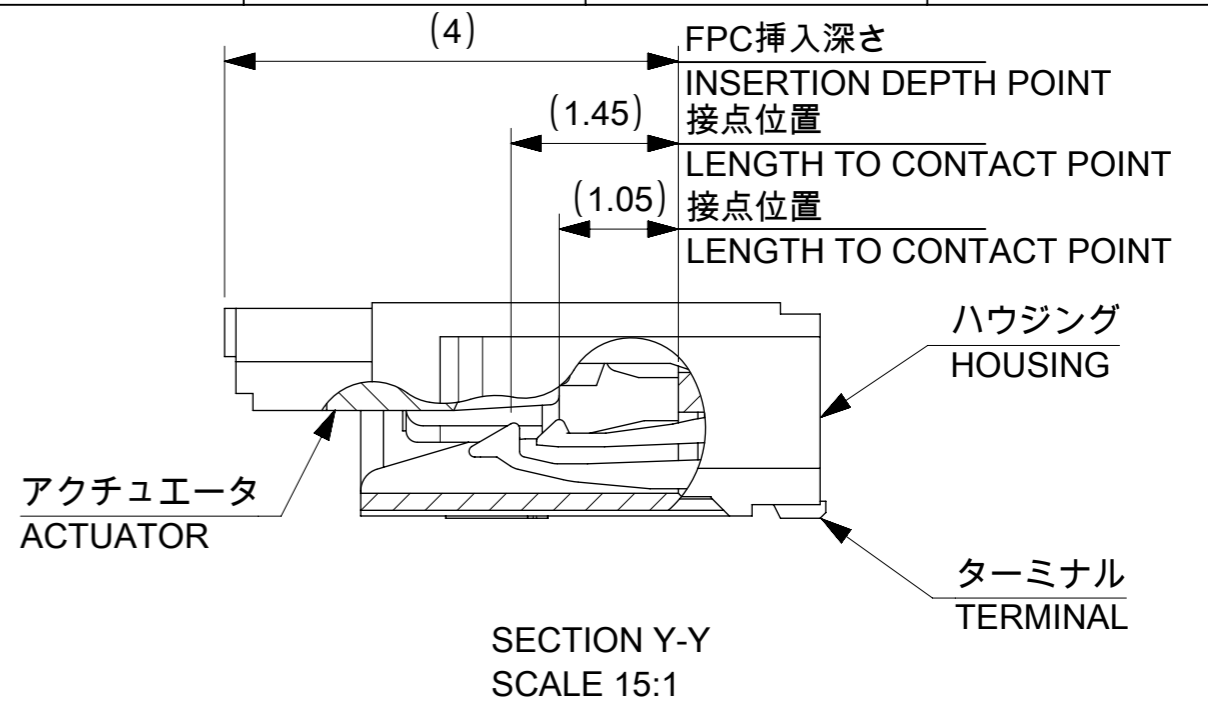
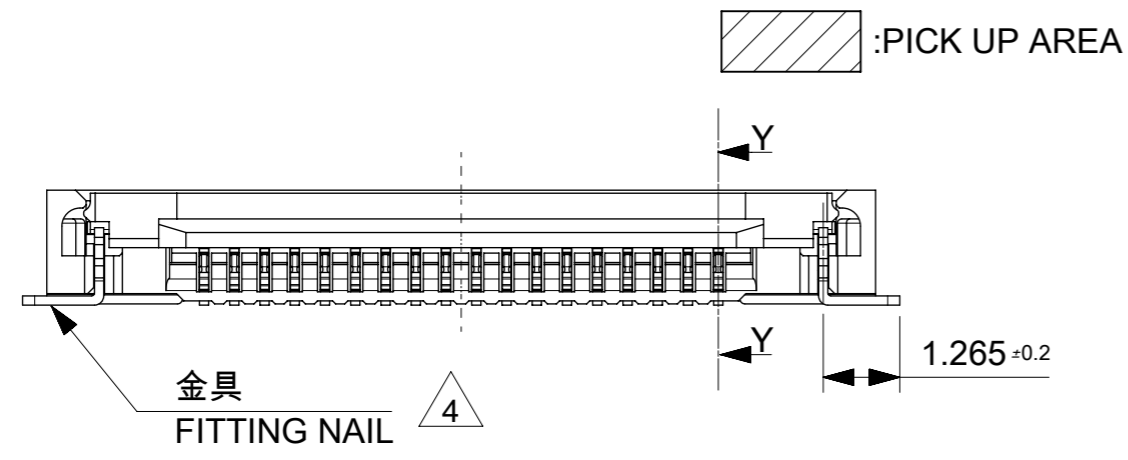
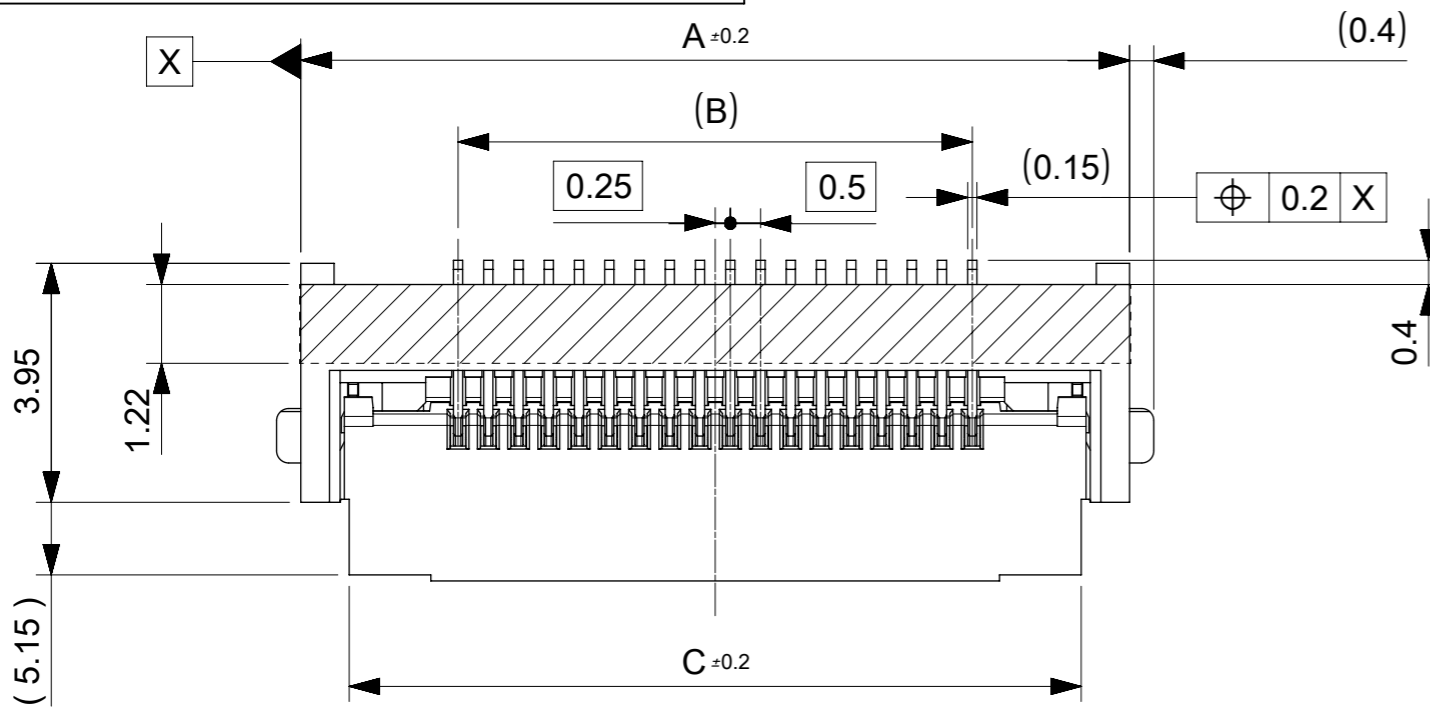


11.5	24	29.4	25.4	10.4	14.4	15.5	5051101992	19
				9.9	13.9	15.0	5051101892	18
				9.4	13.4	14.5	5051101792	17
				8.9	12.9	14.0	5051101692	16
				8.4	12.4	13.5	5051101592	15
				7.9	11.9	13.0	5051101492	14
				7.4	11.4	12.5	5051101392	13
				6.9	10.9	12.0	5051101292	12
				6.4	10.4	11.5	5051101192	11
				5.9	9.9	11.0	5051101092	10
				5.4	9.4	10.5	5051100992	9
				4.9	8.9	10.0	5051100892	8
				4.4	8.4	9.5	5051100792	7
3.9	7.9	9.0	5051100692	6				
3.4	7.4	8.5	5051100592	5				
7.5	16	21.4	17.4	2.9	6.9	8.0	5051100492	4
H	F	E	D	C	B	A	EMBOSSED PACKAGE	Ckt
							オーダー番号 ORDER NO.	

CONNECTOR NO. 505110\*\*12

THIS DRAWING CONTAINS INFORMATION THAT IS PROPRIETARY TO MOLEX INCORPORATED AND SHOULD NOT BE USED WITHOUT WRITTEN PERMISSION

EC NO: 100528 DRWN: NKONDO CHK'D: KTAKAHASHI APPR: KIMORIKAWA	2015/06/30	2015/06/30	2015/06/30	QUALITY SYMBOLS □ = 0 ▽ = 0 ▽ = 0 ▽ = 0 ▽ = 0 ▽ = 0 ▽ = 0 ▽ = 0 ▽ = 0 ▽ = 0 ▽ = 0	GENERAL TOLERANCES (UNLESS SPECIFIED) ANGULAR TOL ± 1.0 ° 4 PLACES ± 0.05 3 PLACES ± 0.1 2 PLACES ± 0.2 1 PLACE ± 0.2 0 PLACES ± 0.2 DRAFT WHERE APPLICABLE MUST REMAIN WITHIN DIMENSIONS	DIMENSION UNITS	SCALE		
	MM		2:1			DRWN BY	DATE		0.5 FPC CONN ZIF E/O 2 CONT TYPE EMB PKG
	FSATO		2015/04/30			CHK'D BY	DATE		
	KTAKAHASHI		2015/06/30			APPR BY	DATE		
A		REV	DRAWING SIZE		THIRD ANGLE PROJECTION	PRODUCT CUSTOMER DRAWING			
			A3			SERIES	MATERIAL NUMBER	CUSTOMER	
						505110	SEE CHART	GENERAL	
						DOCUMENT NUMBER	DOC TYPE	DOC PART	SHEET NUMBER
						5051100001	PSD	000	2 OF 2



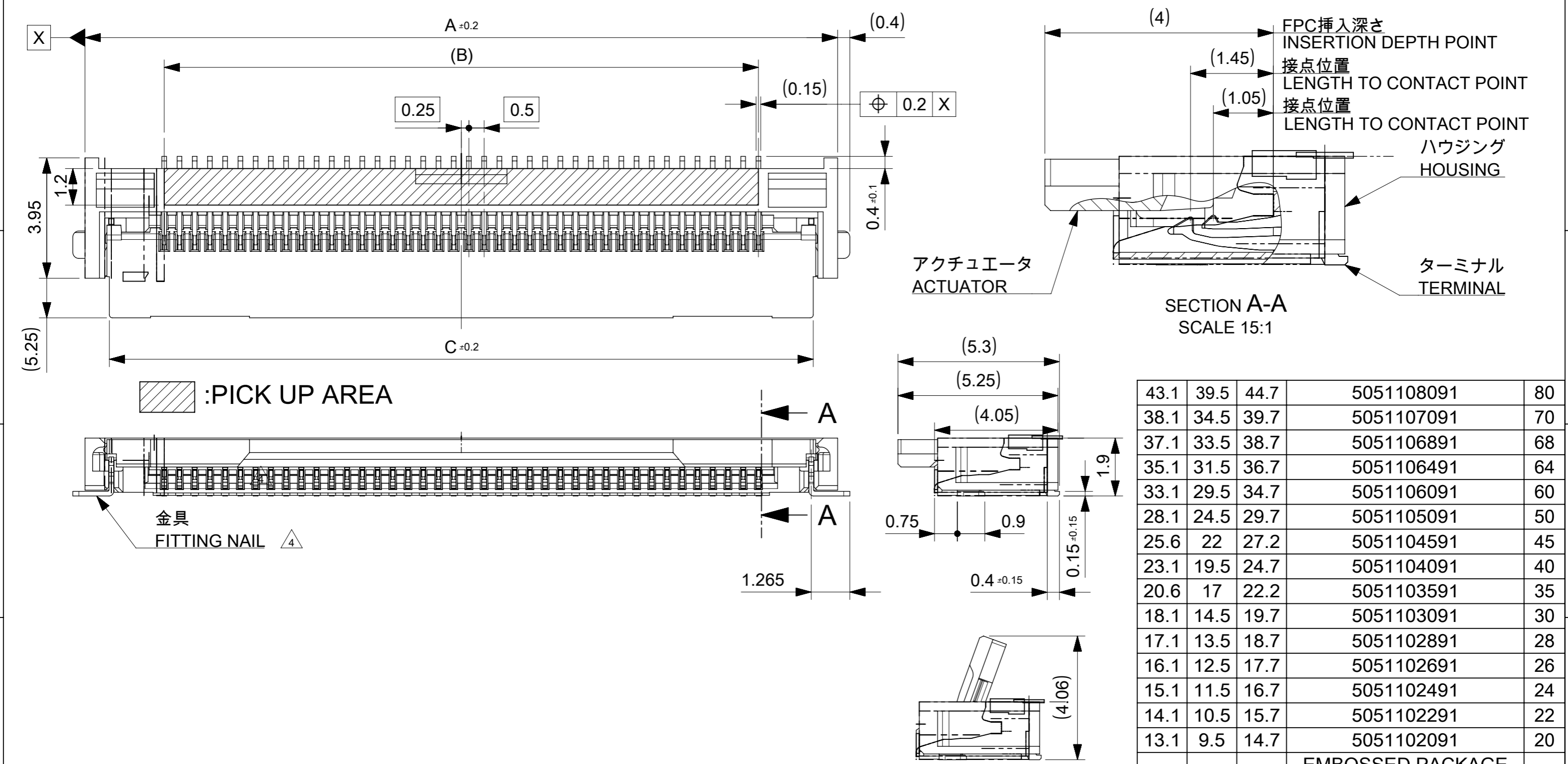
12.6	9.0	14.2	5051101992	19
12.1	8.5	13.7	5051101892	18
11.6	8.0	13.2	5051101792	17
11.1	7.5	12.7	5051101692	16
10.6	7.0	12.2	5051101592	15
10.1	6.5	11.7	5051101492	14
9.6	6.0	11.2	5051101392	13
9.1	5.5	10.7	5051101292	12
8.6	5.0	10.2	5051101192	11
8.1	4.5	9.7	5051101092	10
7.6	4.0	9.2	5051100992	9
7.1	3.5	8.7	5051100892	8
6.6	3.0	8.2	5051100792	7
6.1	2.5	7.7	5051100692	6
5.6	2.0	7.2	5051100592	5
5.1	1.5	6.7	5051100492	4
C	B	A	EMBOSSED PACKAGE	Ckt
オーダー番号 ORDER NO.				

CONNECTOR SERIES NO. 505110\*\*12

THIS DRAWING CONTAINS INFORMATION THAT IS PROPRIETARY TO MOLEX ELECTRONIC TECHNOLOGIES, LLC AND SHOULD NOT BE USED WITHOUT WRITTEN PERMISSION

EC NO: 103820 DRWN: TMORISHITA CHK'D: KTAKAHASHI APPR:	2016/03/23 2016/03/29	GENERAL TOLERANCES (UNLESS SPECIFIED) ANGULAR TOL ± 1.0 ° 4 PLACES ± 0.05 3 PLACES ± 0.1 2 PLACES ± 0.2 1 PLACE ± 0.2 0 PLACES ± 0.2	DIMENSION UNITS: MM SCALE: 8:1		
	DRWN BY: TMORISHITA CHK'D BY: KTAKAHASHI APPR BY:	DATE: 2016/03/23 DATE: 2016/03/29	DRAFT WHERE APPLICABLE MUST REMAIN WITHIN DIMENSIONS		DRAWING SIZE: A3 THIRD ANGLE PROJECTION
	PRODUCT CUSTOMER DRAWING		SERIES: 505110 MATERIAL NUMBER: SEE CHART CUSTOMER: ALPINE ELECTRONICS, INC.		
	DOCUMENT NUMBER: 5051101001 DOC TYPE: PSD DOC PART: 004 SHEET NUMBER: 1 OF 4				

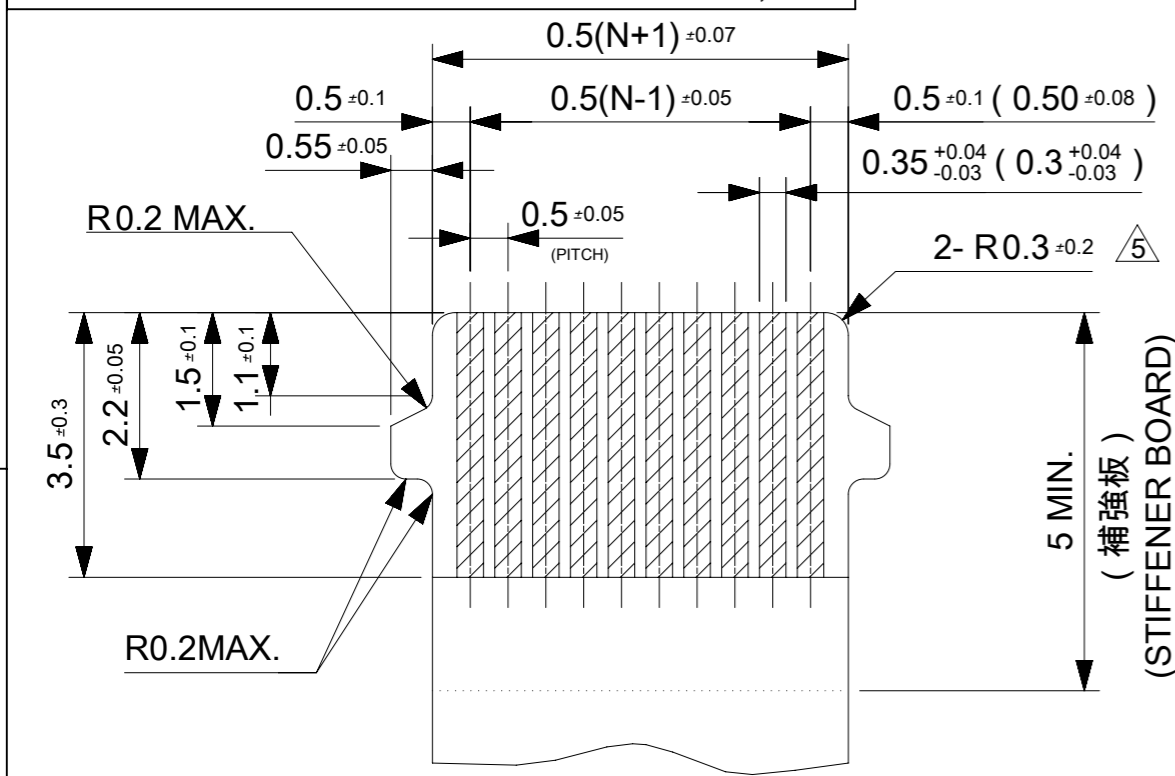
19極以下  
19cvt or less



CONNECTOR SERIES NO. 505110\*\*11  
 THIS DRAWING CONTAINS INFORMATION THAT IS PROPRIETARY TO MOLEX ELECTRONIC TECHNOLOGIES, LLC AND SHOULD NOT BE USED WITHOUT WRITTEN PERMISSION

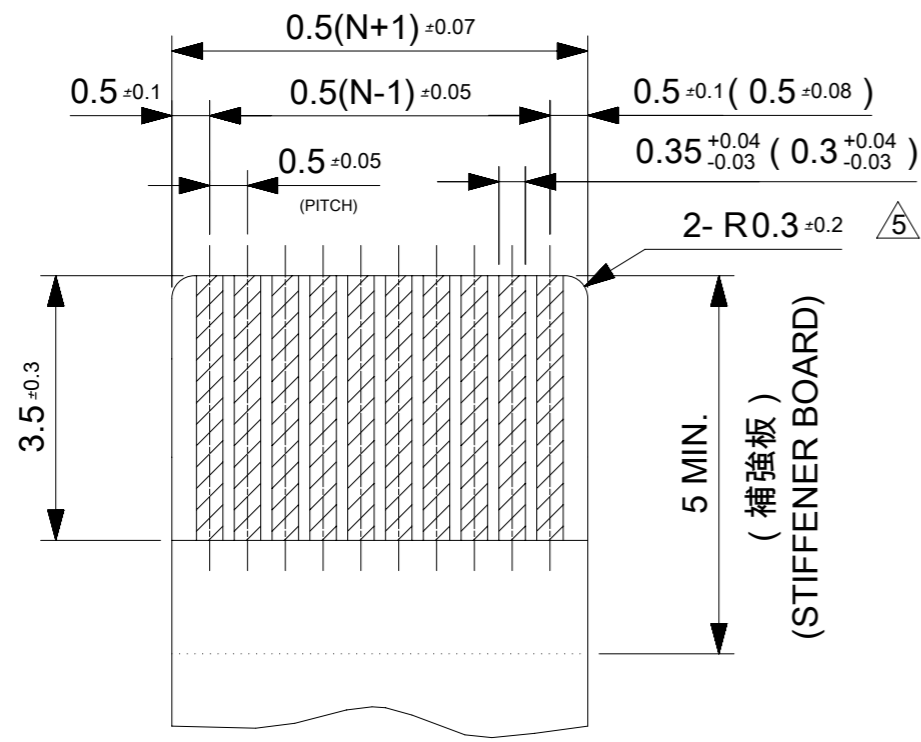
EC NO: 103820 DRWN: TMORISHITA CHK'D: KTAKAHASHI APPR:	2016/03/23 2016/03/29	GENERAL TOLERANCES (UNLESS SPECIFIED) ANGULAR TOL $\pm 1.0^\circ$ 4 PLACES $\pm 0.05$ 3 PLACES $\pm 0.1$ 2 PLACES $\pm 0.2$ 1 PLACE $\pm 0.2$ 0 PLACES $\pm 0.2$	DIMENSION UNITS: MM SCALE: 8:1		
	DRWN BY: TMORISHITA DATE: 2016/03/23	CHK'D BY: KTAKAHASHI DATE: 2016/03/29	DRWG SIZE: A3 THIRD ANGLE PROJECTION		0.5 FPC CONN ZIF E/O 2CONT TYPE HSG ASSY
	PRODUCT CUSTOMER DRAWING				SERIES: 505110 MATERIAL NUMBER: [blank] CUSTOMER: ALPINE ELECTRONICS, INC.
	DRAFT WHERE APPLICABLE MUST REMAIN WITHIN DIMENSIONS		DRAWING SIZE: A3 THIRD ANGLE PROJECTION		DOCUMENT NUMBER: 5051101001 DOC TYPE: PSD DOC PART: 004 SHEET NUMBER: 2 OF 4

20極以上  
 20 or over



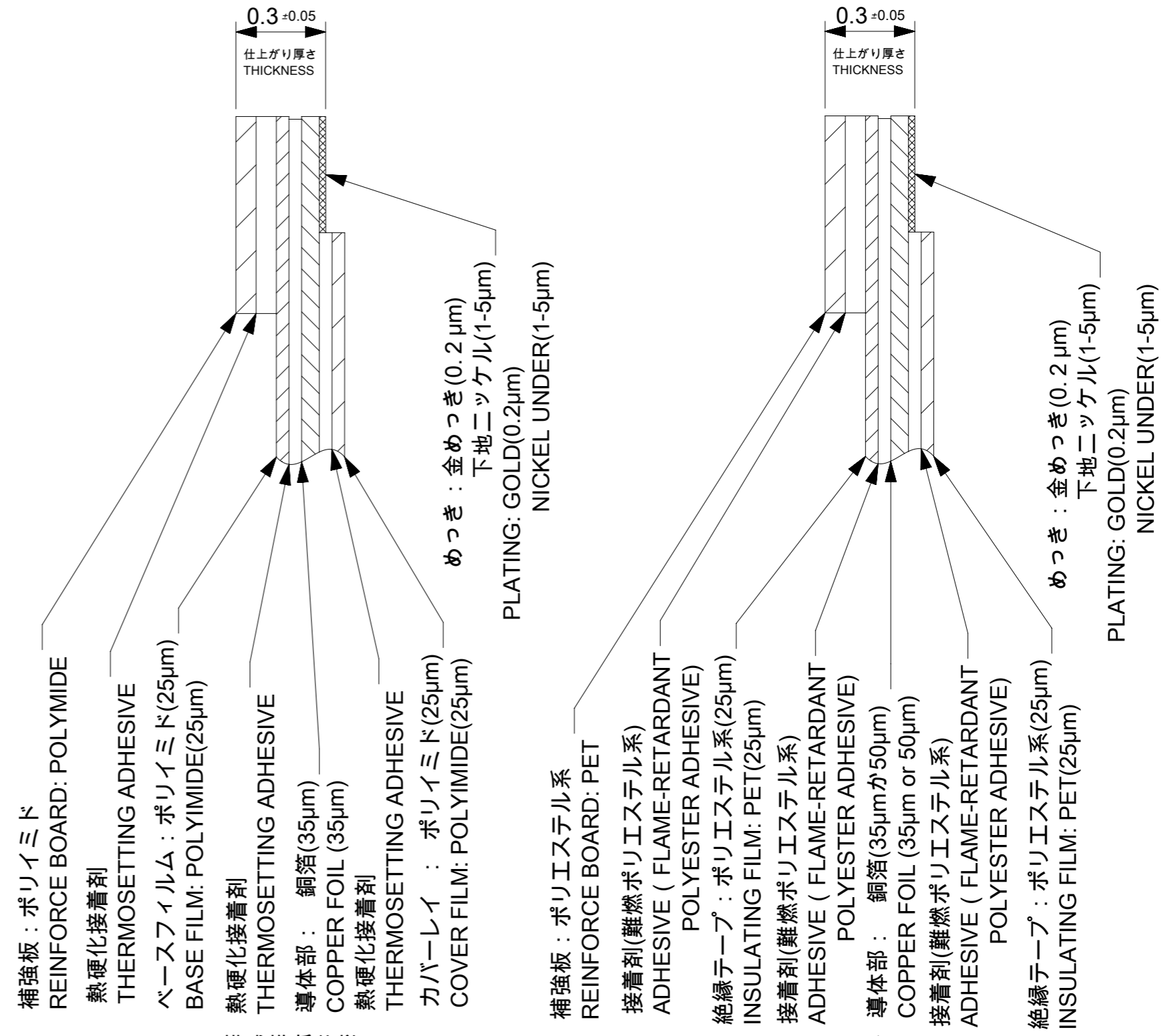
適合FPC/FFC推奨寸法  
APPLICABLE FPC/FFC  
RECOMMENDED DIMENSION

( ):FFCに適合  
( ):APPLY TO FFC



耳無し適合FPC/FFC推奨寸法  
APPLICABLE NON-TAB FPC/FFC  
RECOMMENDED DIMENSION

( ):FFCに適合  
( ):APPLY TO FFC



補強板: ポリイミド  
REINFORCE BOARD: POLYIMIDE  
熱硬化接着剤  
THERMOSETTING ADHESIVE  
ベースフィルム: ポリイミド(25µm)  
BASE FILM: POLYIMIDE(25µm)  
熱硬化接着剤  
THERMOSETTING ADHESIVE  
導体部: 銅箔(35µm)  
COPPER FOIL (35µm)  
熱硬化接着剤  
THERMOSETTING ADHESIVE  
カバーレイ: ポリイミド(25µm)  
COVER FILM: POLYIMIDE(25µm)

補強板: ポリエステル系  
REINFORCE BOARD: PET  
接着剤(難燃ポリエステル系)  
ADHESIVE ( FLAME-RETARDANT  
POLYESTER ADHESIVE)  
絶縁テープ: ポリエステル系(25µm)  
INSULATING FILM: PET(25µm)  
接着剤(難燃ポリエステル系)  
ADHESIVE ( FLAME-RETARDANT  
POLYESTER ADHESIVE)  
導体部: 銅箔(35µmか50µm)  
COPPER FOIL (35µm or 50µm)  
接着剤(難燃ポリエステル系)  
ADHESIVE ( FLAME-RETARDANT  
POLYESTER ADHESIVE)  
絶縁テープ: ポリエステル系(25µm)  
INSULATING FILM: PET(25µm)

FPC構成推奨仕様  
STRUCTURE OF FPC

FFC構成推奨仕様  
STRUCTURE OF FFC

THIS DRAWING CONTAINS INFORMATION THAT IS PROPRIETARY TO MOLEX ELECTRONIC TECHNOLOGIES, LLC AND SHOULD NOT BE USED WITHOUT WRITTEN PERMISSION

EC NO: 103820 DRWN: TMORISHITA CHK'D: KTAKAHASHI APPR:	2016/03/23 2016/03/29	GENERAL TOLERANCES (UNLESS SPECIFIED)		DIMENSION UNITS: MM	SCALE:
	4 PLACES ± 0.05	ANGULAR TOL ± 1.0 °		DRWN BY: TMORISHITA	DATE: 2016/03/23
	3 PLACES ± 0.1			CHK'D BY: KTAKAHASHI	DATE: 2016/03/29
	2 PLACES ± 0.2			APPR BY:	DATE:
	1 PLACE ± 0.2			DRAFT WHERE APPLICABLE MUST REMAIN WITHIN DIMENSIONS	DRAWING SIZE: A3

0.5 FPC CONN ZIF E/O 2CONT TYPE HSG ASSY			
PRODUCT CUSTOMER DRAWING			
SERIES: 505110	MATERIAL NUMBER: SEE SHEET 1	CUSTOMER: ALPINE ELECTRONICS, INC.	
DOCUMENT NUMBER: 5051101001		DOC TYPE: PSD	DOC PART: 004
		SHEET NUMBER: 3 OF 4	

注記 NOTES

1.使用材料 MATERIAL  
 ハウジング :液晶ポリマー ガラス充填、UL94V-0(ベージュ)  
 HOUSING LIQUID CRYSTAL POLYMER GLASS FILLED, UL94V-0(BEIGE)  
 アクチュエータ :ポリアミド ガラス充填、UL94V-0(黒)  
 ACTUATOR POLYAMIDE GLASS FILLED, UL94V-0(BLACK)  
 ターミナル :リン青銅(t=0.15)  
 TERMINAL PHOSPHOR BRONZE  
 金具 :リン青銅(t=0.15)  
 FITTING NAIL PHOSPHOR BRONZE

2.めっき仕様 PLATING  
 ターミナル TERMINAL  
 コンタクト部 : 部分金めっき (0.05μm以上)  
 テール部 : 部分金めっき  
 下地:ニッケルめっき (1.0μm以上)  
 CONTACT AREA : SEPARATED GOLD PLATING (0.05 MICROMETER MINIMUM)  
 SOLDER TAIL AREA : SEPARATED GOLD PLATING  
 UNDERPLATE : NICKEL OVERALL (1.0 MICROMETER MINIMUM)  
 金具 FITTING NAIL  
 錫めっき (1.0μm以上)  
 下地:ニッケルめっき (1.0μm以上)  
 TIN PLATING (1.0 MICROMETER MIN.)  
 UNDER PLATING : NICKEL PLATING (1.0 MICROMETER MIN.)

3.エンボステープ梱包時は、アクチュエータが閉じた状態とする。  
 IN THE PACKAGE, ACTUATOR OF PART SHOULD BE CLOSED.

4. パターン剥離止め用金具  
 FITTING NAIL FOR PREVENTION OF PEELING OF P.C.B. PATTERN.

5. R0.3はFPC/FFC導体部にかからないこと。  
 R0.3 MUST NOT BE OVERLAPPED TO PATTERN OF FPC/FFC.

6.N:極数 N:CIRCUIT.

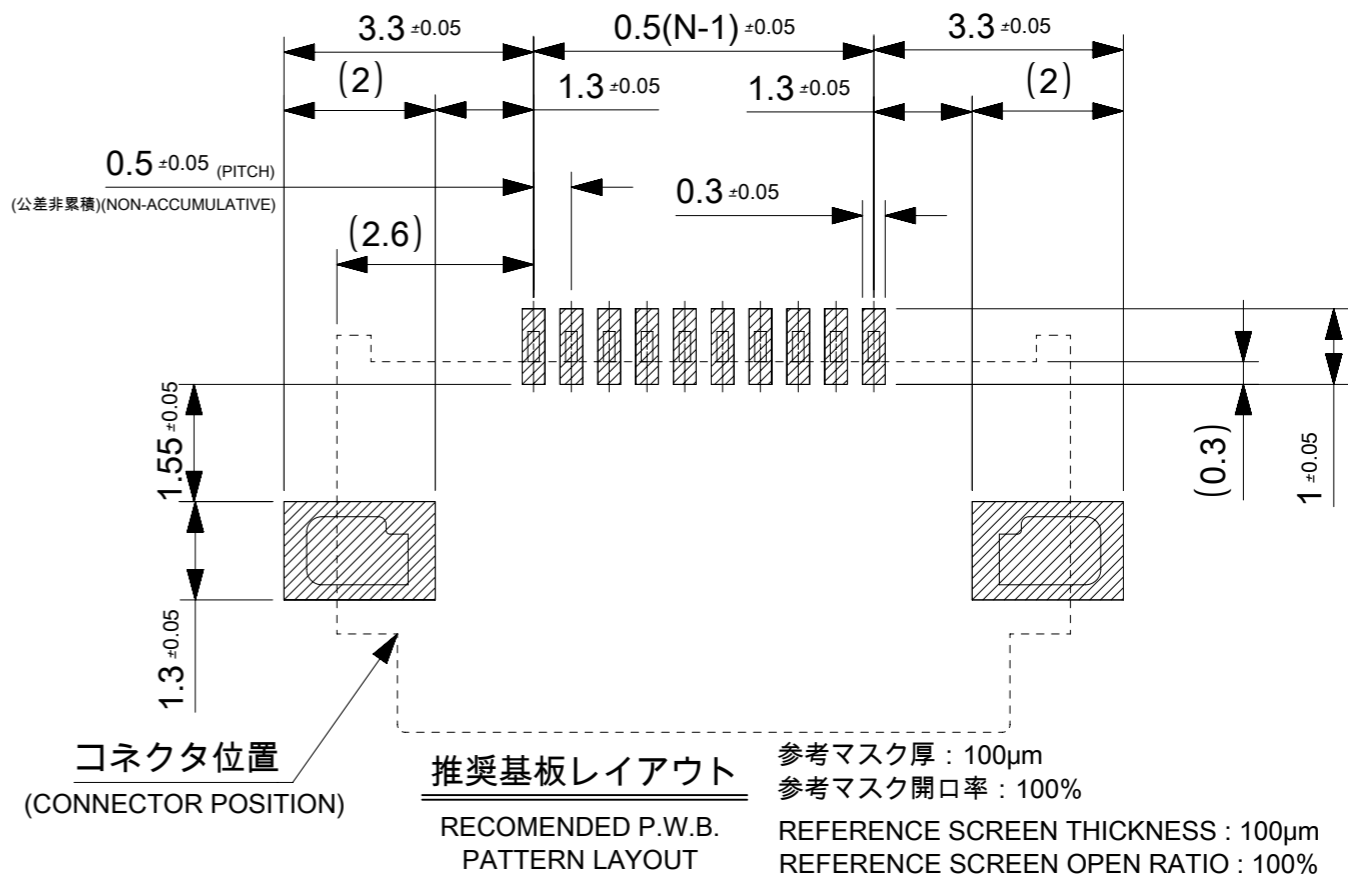
7.ELV及びRoHS適合品  
 ELV AND RoHS COMPLIANT

8.テールと金具を併せた平坦度は0.1以下とする。  
 TAILS AND NAILS COPLANALITY TO BE 0.1 MAX.

FPC/FFCについて ABOUT FPC/FFC

打ち抜き方向は導体側から補強板側を推奨します。  
 導体部については軟箔銅35μmまたは50μmを推奨します。  
 FFCに規定された定格温度がFFC単体前提である場合が御座います。  
 コネクタと組み合わせての実使用において、接着層が劣化するなどの信頼性を満足できないケースを回避するため、  
 実機での評価/確認をお願いいたします。

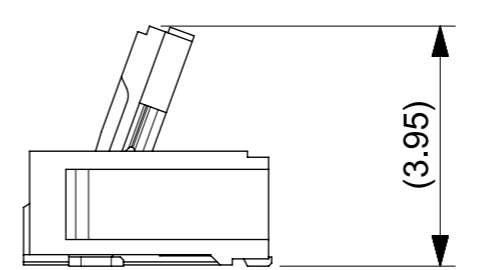
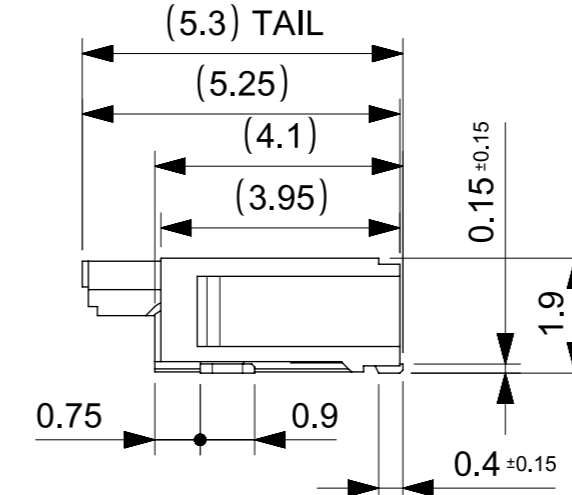
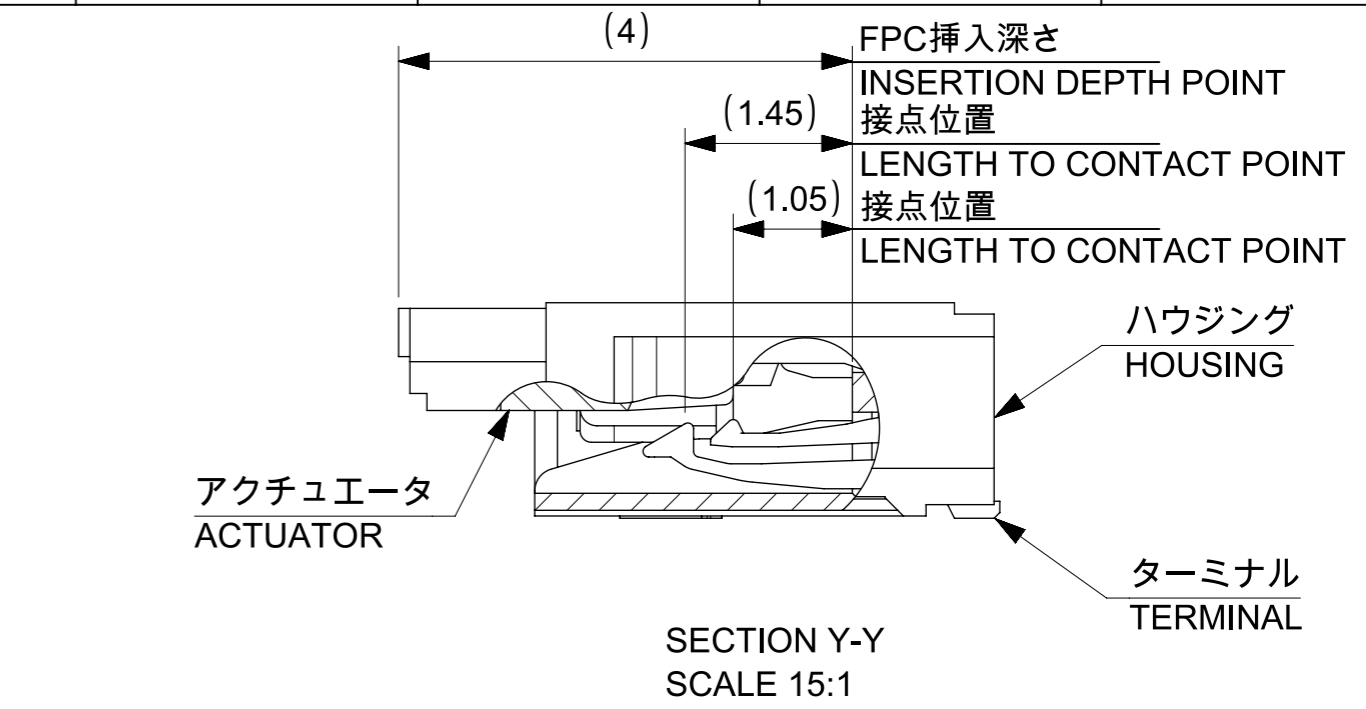
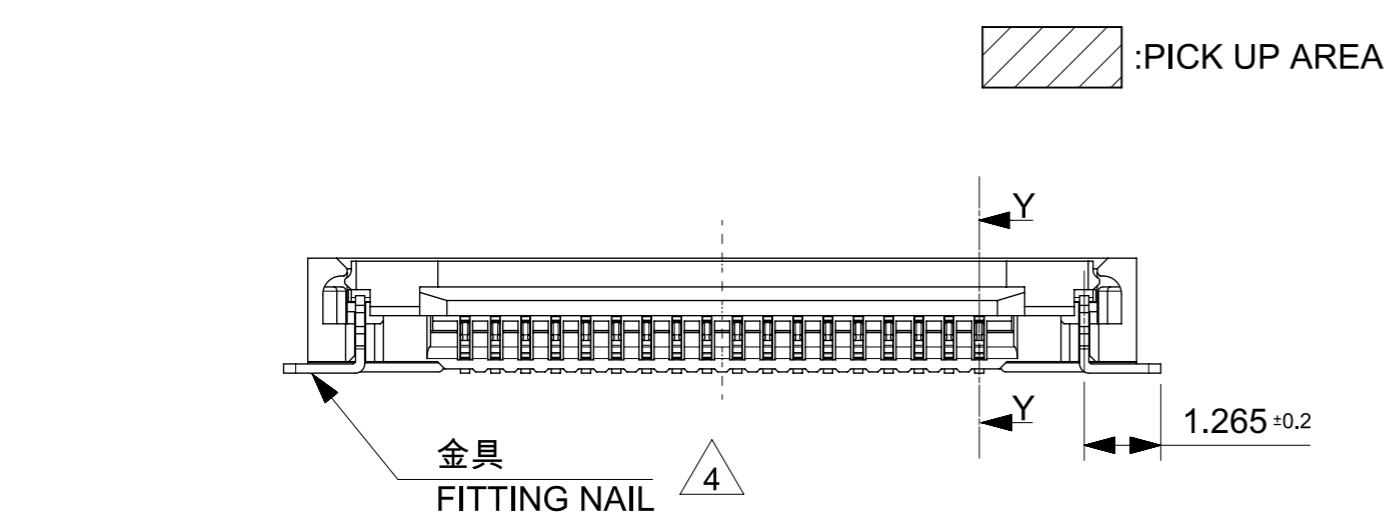
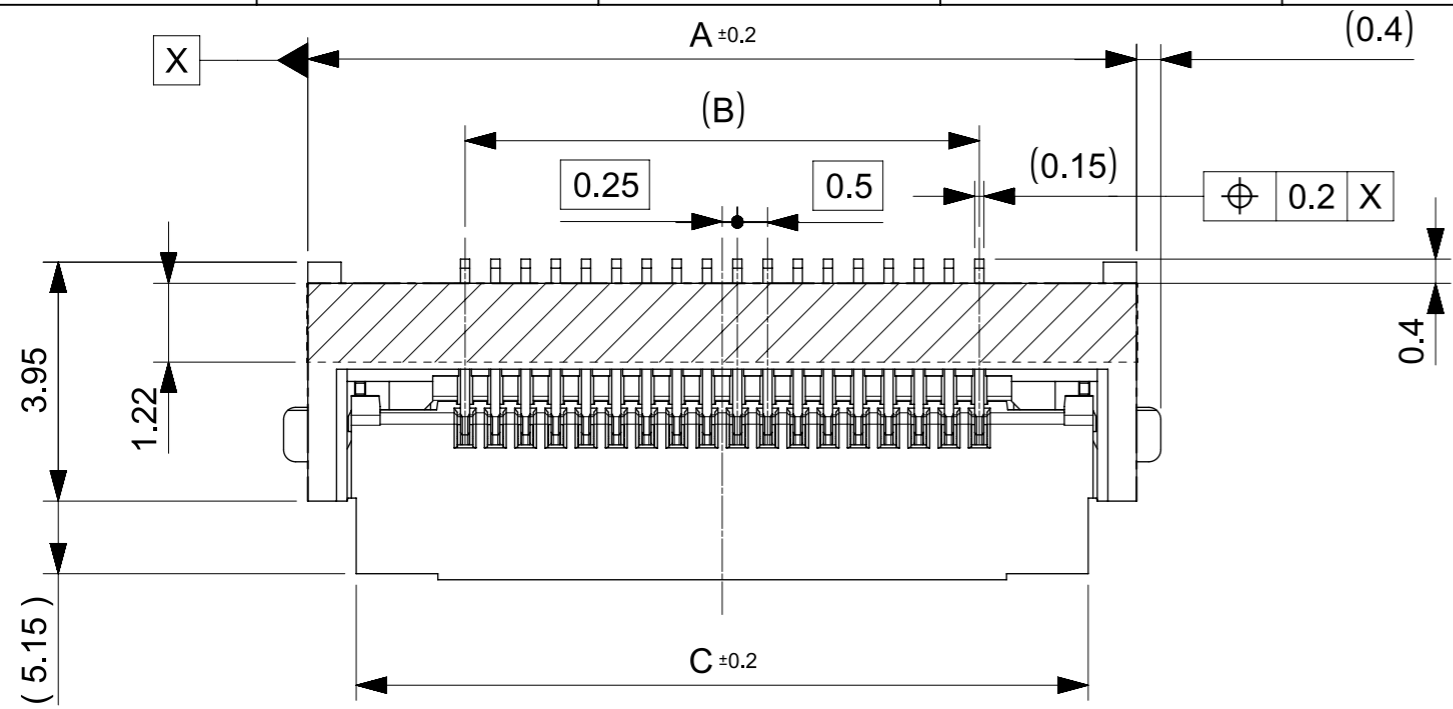
RECOMMENDED PUNCHING DIRECTION : FROM CONDUCTOR SIDE TO STIFFENER SIDE  
 RECOMMENDED CONDUCTOR SPEC : SOFT COPPER FOIL  
 RECOMMENDED CONDUCTOR THICKNESS : 35 MICROMETER OR 50 MICROMETER  
 NOTE: WHEN ACTUALLY USING IT WITH CONNECTOR, PLEASE DO THE EVALUATION AND THE CONFIRMATION WITH AN ACTUAL EQUIPMENT TO EVADE THE CASE WHERE RELIABILITY CANNOT BE FILLED (THE ADHESIVE LINE OF FFC IS DETERIORATED ETC.)



FPCについて ABOUT FPC

補強フィルム材質はポリイミドを推奨します。ベースフィルムは25μmを推奨します。  
 接着剤は熱硬化接着剤を推奨します。  
 尚、接着剤の接点部への付着は導通不良の原因になりますので、染み出しが無い様お願い致します。  
 RECOMMENDED MATERIAL/THICKNESS.  
 RECOMMENDED STIFFENER MATERIAL: POLYIMIDE  
 RECOMMENDED BASE FILM THICKNESS: 25 MICROMETER  
 RECOMMENDED ADHESIVE: THERMOSETTING ADHESIVE  
 NOTE: PLEASE PUT APPROPRIATE AMOUNT OF ADHESIVE ON ADHEREND BECAUSE THERE IS A POSSIBILITY THAT THE EXTRA ADHESIVE CAUSES THE DEFECT IN ELECTRICAL CONTINUITY.  
 THERE IS A POSSIBILITY THAT THE PRESCRIPT TEMPERATURE OF FFC IS SET TO SINGLE IT.

THIS DRAWING CONTAINS INFORMATION THAT IS PROPRIETARY TO MOLEX ELECTRONIC TECHNOLOGIES, LLC AND SHOULD NOT BE USED WITHOUT WRITTEN PERMISSION									
EC NO: 103820 DRWN: TMORISHITA CHK'D: KTAKAHASHI APPR:	2016/03/23 2016/03/29	GENERAL TOLERANCES (UNLESS SPECIFIED)		DIMENSION UNITS	SCALE	 0.5 FPC CONN ZIF E/O 2CONT TYPE HSG ASSY PRODUCT CUSTOMER DRAWING SERIES: 505110 MATERIAL NUMBER: SEE SHEET 1 CUSTOMER: ALPINE ELECTRONICS, INC. DOCUMENT NUMBER: 5051101001 DOC TYPE: PSD DOC PART: 004 SHEET NUMBER: 4 OF 4			
		ANGULAR TOL ± 1.0 °		MM	10:1				
		4 PLACES ± 0.05	DRWN BY	DATE	TMORISHITA 2016/03/23				
		3 PLACES ± 0.1	CHK'D BY	DATE	KTAKAHASHI 2016/03/29				
		2 PLACES ± 0.2	APPR BY	DATE					
1 PLACE ± 0.2	0 PLACES ± 0.2	DRAWING SIZE	THIRD ANGLE PROJECTION	A3					
DRAFT WHERE APPLICABLE MUST REMAIN WITHIN DIMENSIONS									

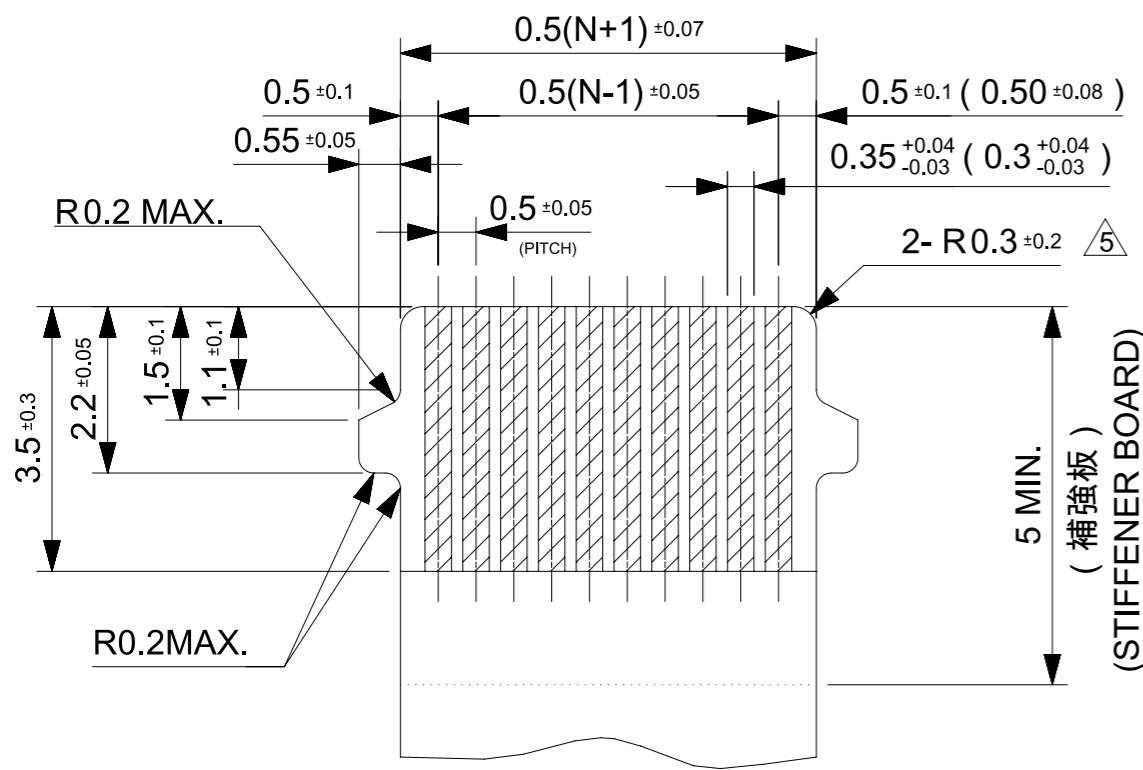


12.6	9.0	14.2	5051101992	19
12.1	8.5	13.7	5051101892	18
11.6	8.0	13.2	5051101792	17
11.1	7.5	12.7	5051101692	16
10.6	7.0	12.2	5051101592	15
10.1	6.5	11.7	5051101492	14
9.6	6.0	11.2	5051101392	13
9.1	5.5	10.7	5051101292	12
8.6	5.0	10.2	5051101192	11
8.1	4.5	9.7	5051101092	10
7.6	4.0	9.2	5051100992	9
7.1	3.5	8.7	5051100892	8
6.6	3.0	8.2	5051100792	7
6.1	2.5	7.7	5051100692	6
5.6	2.0	7.2	5051100592	5
5.1	1.5	6.7	5051100492	4
C	B	A	EMBOSSED PACKAGE	Ckt
			オーダー番号 ORDER NO.	

CONNECTOR SERIES NO. 505110\*\* 12

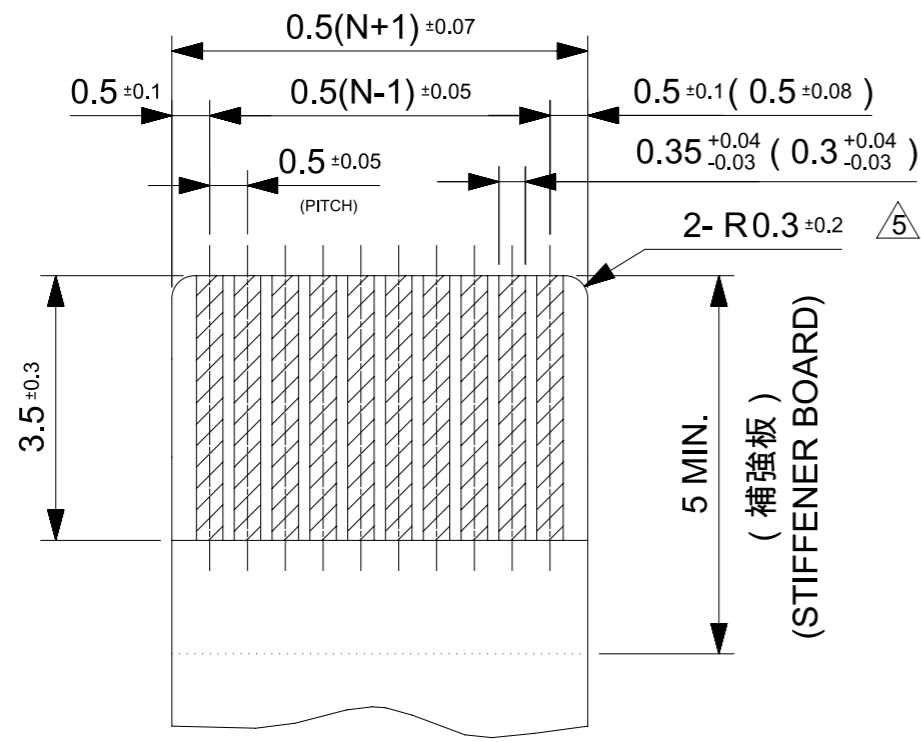
THIS DRAWING CONTAINS INFORMATION THAT IS PROPRIETARY TO MOLEX INCORPORATED AND SHOULD NOT BE USED WITHOUT WRITTEN PERMISSION

EC DESCRIPTION EC NO: 100528 DRWN: FSATO CHK'D: KTAKAHASHI APPR: KIMORIKAWA	2015/04/30 2015/06/30 2015/06/30	QUALITY SYMBOLS ∇ = 0 ∇ = 0 ∇ = 0 ▼ = 0 ∇ = 0 ⊠ = 0 ■ = 0 ∇ = 0	GENERAL TOLERANCES (UNLESS SPECIFIED) ANGULAR TOL ± 1.0 ° 4 PLACES ± 0.05 3 PLACES ± 0.1 2 PLACES ± 0.2 1 PLACE ± 0.2 0 PLACES ± 0.2 DRAFT WHERE APPLICABLE MUST REMAIN WITHIN DIMENSIONS	DIMENSION UNITS: MM SCALE: 8:1 DRWN BY: FSATO DATE: 2015/04/30 CHK'D BY: KTAKAHASHI DATE: 2015/06/30 APPR BY: KIMORIKAWA DATE: 2015/06/30 DRAWING SIZE: A3 THIRD ANGLE PROJECTION		
				PRODUCT CUSTOMER DRAWING		
			SERIES: 505110 MATERIAL NUMBER: SEE CHART CUSTOMER: GENERAL			
			DOCUMENT NUMBER: 5051101001 DOC TYPE: PSD DOC PART: 000 SHEET NUMBER: 1 OF 3			



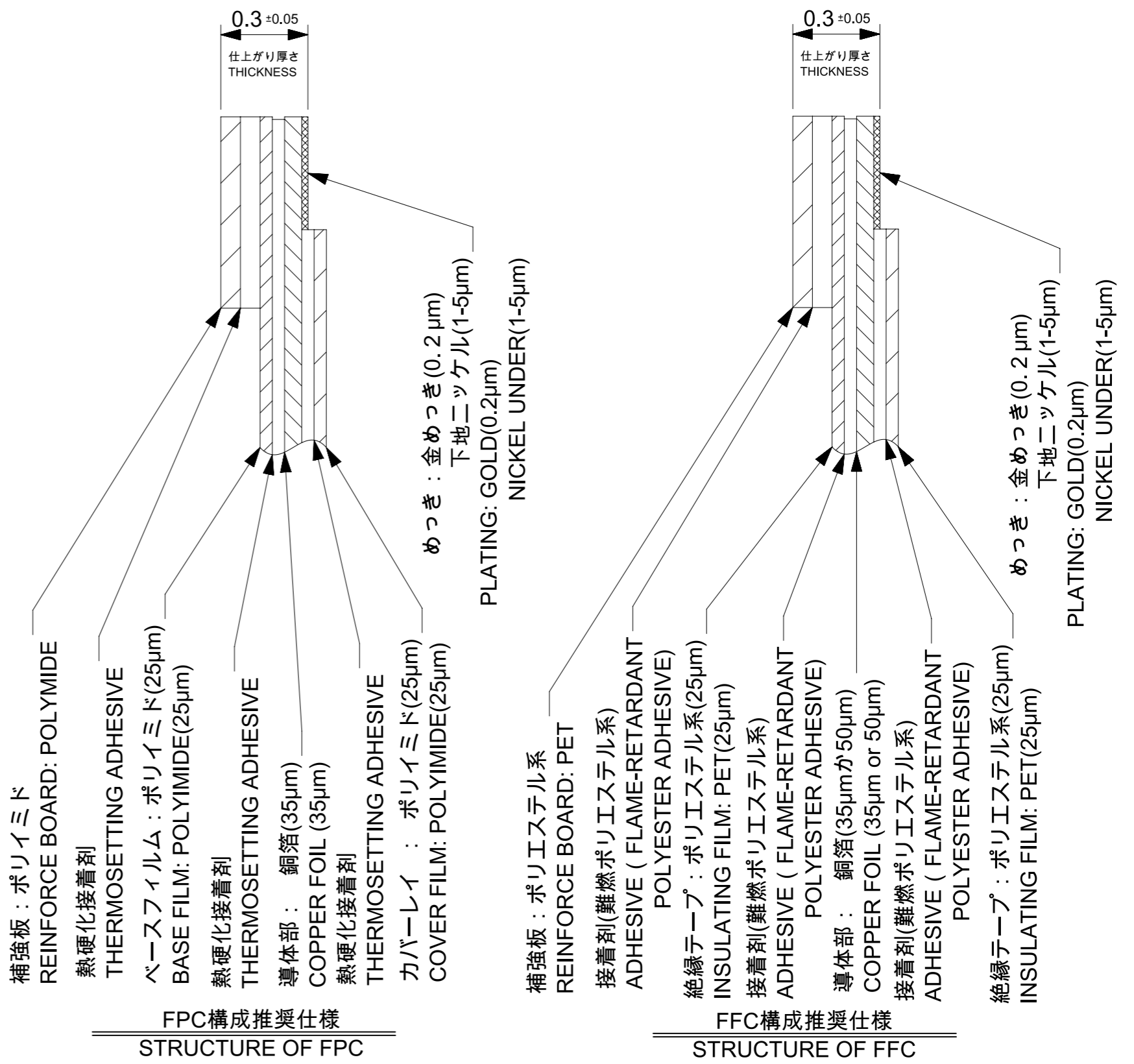
適合FPC/FFC推奨寸法  
APPLICABLE FPC/FFC  
RECOMMENDED DIMENSION

( ):FFCに適応  
( ):APPLY TO FFC



耳無し適合FPC/FFC推奨寸法  
APPLICABLE NON-TAB FPC/FFC  
RECOMMENDED DIMENSION

( ):FFCに適応  
( ):APPLY TO FFC



FPC構成推奨仕様  
STRUCTURE OF FPC

FFC構成推奨仕様  
STRUCTURE OF FFC

THIS DRAWING CONTAINS INFORMATION THAT IS PROPRIETARY TO MOLEX INCORPORATED AND SHOULD NOT BE USED WITHOUT WRITTEN PERMISSION										
EC DESCRIPTION EC NO: 100528 DRWN: FSATO CHK'D: KTAKAHASHI APPR: KMORIKAWA	2015/04/30	2015/06/30	2015/06/30	QUALITY SYMBOLS ▽ = 0 ▽ = 0 ▽ = 0 ▽ = 0 ▽ = 0 ▽ = 0 ▽ = 0 ▽ = 0 ▽ = 0 ▽ = 0	GENERAL TOLERANCES (UNLESS SPECIFIED)		DIMENSION UNITS	SCALE	 <b>0.5 FPC CONN ZIF E/O 2CONT TYPE HSG ASSY</b> PRODUCT CUSTOMER DRAWING SERIES: 505110 MATERIAL NUMBER: SEE SHEET 1 CUSTOMER: GENERAL DOCUMENT NUMBER: 5051101001 DOC TYPE: PSD DOC PART: 000 SHEET NUMBER: 2 OF 3	
	ANGULAR TOL ± 1.0 °		MM		≠≠					
	4 PLACES ± 0.05	DRWN BY: FSATO	DATE: 2015/04/30							
	3 PLACES ± 0.1	CHK'D BY: KTAKAHASHI	DATE: 2015/06/30							
2 PLACES ± 0.2	APPR BY: KMORIKAWA	DATE: 2015/06/30	DRAFT WHERE APPLICABLE MUST REMAIN WITHIN DIMENSIONS		DRAWING SIZE: A3	THIRD ANGLE PROJECTION				



注記 NOTES

1.使用材料 MATERIAL

ハウジング :液晶ポリマー ガラス充填、UL94V-0(ベージュ)  
 HOUSING LIQUID CRYSTAL POLYMER GLASS FILLED, UL94V-0(BEIGE)  
 アクチュエータ :ポリアミド ガラス充填、UL94V-0(黒)  
 ACTUATOR POLYAMIDE GLASS FILLED, UL94V-0(BLACK)  
 ターミナル :リン青銅(t=0.15)  
 TERMINAL PHOSPHOR BRONZE  
 金具 :リン青銅(t=0.15)  
 FITTING NAIL PHOSPHOR BRONZE

2.めっき仕様 PLATING

ターミナル TERMINAL  
 コンタクト部 : 部分金めっき (0.05μm以上)  
 テール部 : 部分金めっき  
 下地:ニッケルめっき (1.0μm以上)  
 CONTACT AREA : SEPARATED GOLD PLATING (0.05 MICROMETER MINIMUM)  
 SOLDER TAIL AREA : SEPARATED GOLD PLATING  
 UNDERPLATE : NICKEL OVERALL (1.0 MICROMETER MINIMUM)  
 金具 FITTING NAIL  
 錫めっき(1.0μm以上)  
 下地:ニッケルめっき (1.0μm以上)  
 TIN PLATING (1.0 MICROMETER MIN.)  
 UNDER PLATING : NICKEL PLATING (1.0 MICROMETER MIN.)

3.エンボステープ梱包時は、アクチュエータが閉じた状態とする。  
 IN THE PACKAGE, ACTUATOR OF PART SHOULD BE CLOSED.

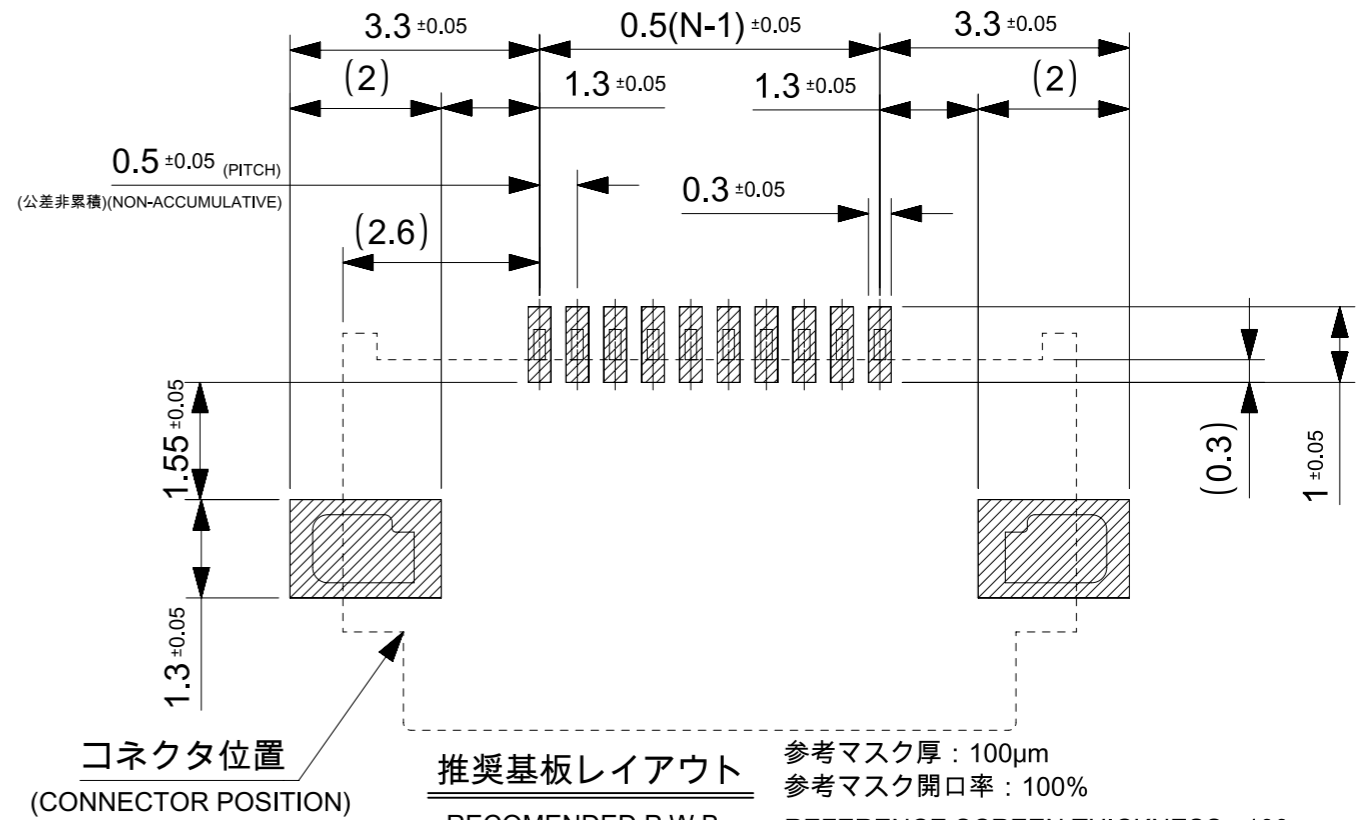
△4 パターン剥離止め用金具  
 FITTING NAIL FOR PREVENTION OF PEELING OF P.C.B. PATTERN.

△5 R0.3はFPC/FFC導体部にかからないこと。  
 R0.3 MUST NOT BE OVERLAPPED TO PATTERN OF FPC/FFC.

6.N:極数 N:CIRCUIT.

7.ELV及びRoHS適合品  
 ELV AND RoHS COMPLIANT

8.テールと金具を併せた平坦度は0.1以下とする。  
 TAILS AND NAILS COPLANALITY TO BE 0.1 MAX.



FPC/FFCについて ABOUT FPC/FFC

打ち抜き方向は導体側から補強板側を推奨します。  
 導体部については軟箔銅35μmまたは50μmを推奨します。  
 FFCに規定された定格温度がFFC単体前提である場合が御座います。  
 コネクタと組み合わせた実使用において、接着層が劣化するなどの信頼性を満足できないケースを回避するため、  
 実機での評価/確認をお願いいたします。

RECOMMENDED PUNCHING DIRECTION : FROM CONDUCTOR SIDE TO STIFFENER SIDE  
 RECOMMENDED CONDUCTOR SPEC : SOFT COPPER FOIL  
 RECOMMENDED CONDUCTOR THICKNESS : 35 MICROMETER OR 50 MICROMETER  
 NOTE: WHEN ACTUALLY USING IT WITH CONNECTOR, PLEASE DO THE EVALUATION AND THE CONFIRMATION WITH AN ACTUAL EQUIPMENT TO EVADE THE CASE WHERE RELIABILITY CANNOT BE FILLED (THE ADHESIVE LINE OF FFC IS DETERIORATED ETC.)

FPCについて ABOUT FPC

補強フィルム材質はポリイミドを推奨します。ベースフィルムは25μmを推奨します。  
 接着剤は熱硬化接着剤を推奨します。  
 尚、接着剤の接点部への付着は導通不良の原因になりますので、染み出しが無い様お願い致します。  
 RECOMMENDED MATERIAL/THICKNESS.

RECOMMENDED STIFFENER MATERIAL: POLYIMIDE  
 RECOMMENDED BASE FILM THICKNESS: 25 MICROMETER  
 RECOMMENDED ADHESIVE: THERMOSETTING ADHESIVE

NOTE: PLEASE PUT APPROPRIATE AMOUNT OF ADHESIVE ON ADHEREND BECAUSE THERE IS A POSSIBILITY THAT THE EXTRA ADHESIVE CAUSES THE DEFECT IN ELECTRICAL CONTINUITY.  
 THERE IS A POSSIBILITY THAT THE PRESCRIPT TEMPERATURE OF FFC IS SET TO SINGLE IT.

THIS DRAWING CONTAINS INFORMATION THAT IS PROPRIETARY TO MOLEX INCORPORATED AND SHOULD NOT BE USED WITHOUT WRITTEN PERMISSION

EC DESCRIPTION EC NO: 100528 DRWN: FSATO CHK'D: KTAKAHASHI APPR: KMORIKAWA	2015/04/30	2015/06/30	2015/06/30	QUALITY SYMBOLS ▽ = 0 ▽ = 0 ▽ = 0 ▼ = 0 ▽ = 0 ☒ = 0 ■ = 0 ▽ = 0	GENERAL TOLERANCES (UNLESS SPECIFIED) ANGULAR TOL ± 1.0 ° 4 PLACES ± 0.05 3 PLACES ± 0.1 2 PLACES ± 0.2 1 PLACE ± 0.2 0 PLACES ± 0.2 DRAFT WHERE APPLICABLE MUST REMAIN WITHIN DIMENSIONS	DIMENSION UNITS MM	SCALE 10:1						
	DRWN BY FSATO					DATE 2015/04/30	DRWN BY FSATO					DATE 2015/04/30	
	CHK'D BY KTAKAHASHI					DATE 2015/06/30	CHK'D BY KTAKAHASHI	DATE 2015/06/30	PRODUCT CUSTOMER DRAWING		SERIES 505110	MATERIAL NUMBER SEE SHEET 1	CUSTOMER GENERAL
	APPR BY KMORIKAWA					DATE 2015/06/30	APPR BY KMORIKAWA	DATE 2015/06/30	DRAWING SIZE A3	THIRD ANGLE PROJECTION	DOCUMENT NUMBER 5051101001	DOC TYPE PSD	DOC PART 000