

Amphoton
JUNCTION BOX

Amphenol[®]
Solar Energy



Since 1932 Amphenol has been the interconnect technology provider of choice to industry leading companies throughout the world. With a broad and diverse product portfolio, Amphenol is able to develop the right solutions for our customers across the diverse segments of the rapidly expanding electronics market.

With dedicated employees working at 85 facilities in more than 30 countries. Amphenol has the unique advantage of having both diversified global reach while still being a focused organization.

Amphenol can help you power the planet with the sun.

Amphoton PV-090729 and PV-090708 series

Features:

- Sealed design with high heat dissipation
- TÜV/UL approval



Amphoton PV-090730 series

Features:

- Sealed design with high heat dissipation
- TÜV/UL dual approval



Amphoton PV-090809 series

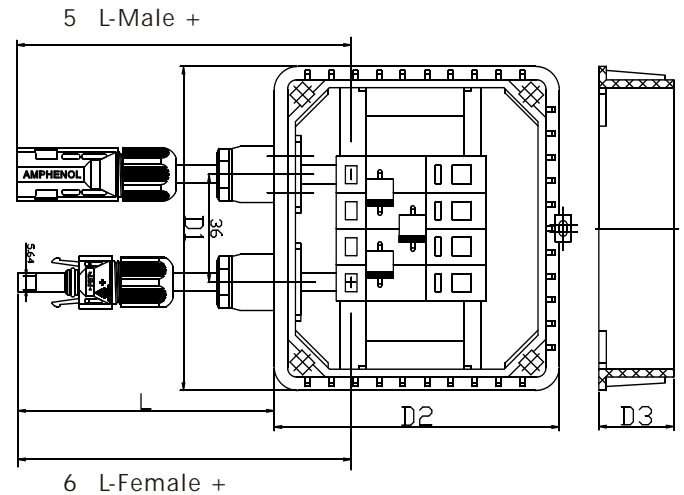
Features:

- Sealed design with high heat dissipation
- TÜV approval



Technical Data

Order No.	1	2	3	4	5
Part Number	PV-090729-003	PV-090729-006	PV-090808-001	PV-090808-002	PV-090808-003
Version	4 poles	4 poles	2 poles	3 poles	4 poles
Rated current	20A	20A	20A	20A	20A
Rated voltage	DC1000V(TÜV), DC600V(UL)	DC1000V(TÜV), DC600V(UL)	DC1000V(TÜV)	DC1000V(TÜV)	DC1000V(TÜV)
Number of bypass diodes	3	6	1	2	3
Connection cross-section	4mm ² , AWG12	4mm ² , AWG12	4mm ² , AWG12	4mm ² , AWG12	4mm ² , AWG12
Temperature range	-40°C up to +85°C	-40°C up to +85	-40°C up to +85°C	-40°C up to +85°C	-40°C up to +85°C
Protetion degree	IP 65	IP 65	IP 65	IP 65	IP 65
Dimensions	150 x 130 x 26mm	150 x 130 x 26mm	89x 80 x 22.5mm	89 x 80 x 22.5mm	108 x 95 x 25mm
Flame class	UL94-V0	UL94-V0	UL94-V0	UL94-V0	UL94-V0
Certificate	TÜV/UL	TÜV/UL	TÜV	TÜV	TÜV

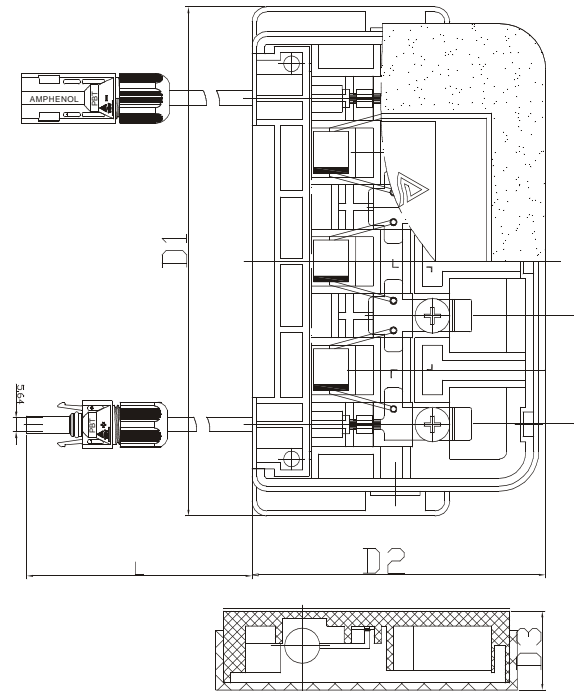


D3	22.5	PV-090808-001
D2	80	
D1	89	PV-090808-002
D3	25	PV-090729-003
D2	130	
D1	150	PV-090729-006
D3	25	PV-090808-003
D2	95	
D1	108	

Notice: Specifications are subject to change without notice. Contact your nearest Amphenol Corporation Sales Office for the latest specifications. All statements, information and data given herein are believed to be accurate and reliable but are presented without guarantee, warranty, or responsibility of any kind, expressed or implied. Statements of suggestions concerning possible use of our products are made without representation or warranty that any such use is free of patent infringement and are not recommendations to infringe any patent. The user should assume that all safety measures are indicated or that other measures may not be required. Specifications are typical and may not apply to all connectors.

Technical Data

Order No.	6	7	8
Part Number	PV-090730-002	PV-090730-003	PV-090730-006
Version	3 poles	4 poles	4 poles
Rated current	20A	20A	20A
Rated voltage	DC1000V(TÜV), DC600V(UL)	DC1000V(TÜV), DC600V(UL)	DC1000V(TÜV), DC600V(UL)
Number of bypass diodes	2	3	6
Connection cross-section	4mm ² , AWG12	4mm ² , AWG12	4mm ² , AWG12
Temperature range	-40°C up to +85°C	-40°C up to +85°C	-40°C up to +85°C
Protetion degree	IP 65	IP 65	IP 65
Dimensions	103 x 58 x 16mm	103 x 58 x 16mm	103 x 58 x 16mm
Flame class	UL94-V0	UL94-V0	UL94-V0
Certificate	TÜV/UL	TÜV/UL	TÜV/UL

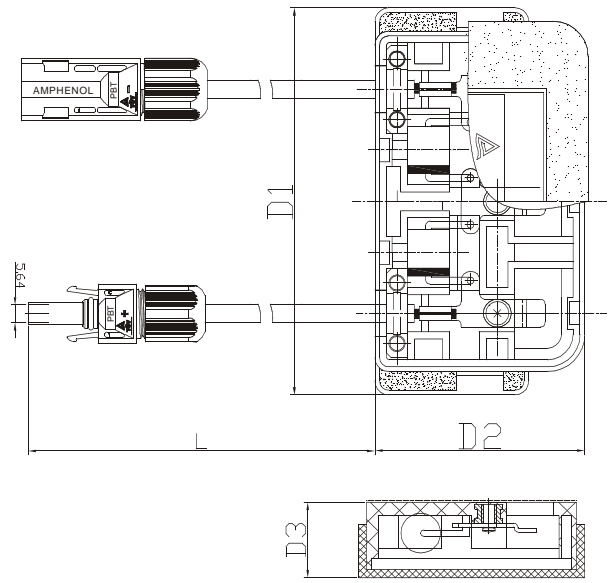


D3	16	PV-090730-002
D2	58	PV-090730-003
D1	103	PV-090730-006

Notice: Specifications are subject to change without notice. Contact your nearest Amphenol Corporation Sales Office for the latest specifications. All statements, information and data given herein are believed to be accurate and reliable but are presented without guarantee, warranty, or responsibility of any kind, expressed or implied. Statements of suggestions concerning possible use of our products are made without representation or warranty that any such use is free of patent infringement and aren't recommendations to infringe any patent. The user should assume that all safety measures are indicated or that other measures may not be required. Specifications are typical and may not apply to all connectors.

Technical Data

Order No.	12	13
Part Number	PV-090809-001	PV-090809-002
Version	2 poles	3 poles
Rated current	20A	20A
Rated voltage	DC1000V(TÜV)	DC1000V(TÜV)
Number of bypass diodes	1	2
Connection cross-section	4mm ² , AWG12	4mm ² , AWG12
Temperature range	-40°C up to +85°C	-40°C up to +85°C
Protection degree	IP 65	IP 65
Dimensions	72 x 48 x 16mm	83 x 45 x 16.5mm
Flame class	UL94-V0	UL94-V0
Certificate	TÜV	TÜV



D3	16	PV-090809-001
D2	48	
D1	72	
D3	16.5	PV-090809-002
D2	45	
D1	83	

Notice: Specifications are subject to change without notice. Contact your nearest Amphenol Corporation Sales Office for the latest specifications. All statements, information and data given herein are believed to be accurate and reliable but are presented without guarantee, warranty, or responsibility of any kind, expressed or implied. Statements of suggestions concerning possible use of our products are made without representation or warranty that any such use is free of patent infringement and aren't recommendations to infringe any patent. The user should assume that all safety measures are indicated or that other measures may not be required. Specifications are typical and may not apply to all connectors.

How to order Amphoton Junction Box

AP-
1

1. _____
Junction Box series

03
2

2. _____
Junction Box Order No.

4.0
4

4. _____
Connector/Cable cross section:
2.5: 2.5mm² - 14 AWG
4.0: 4.0mm² - 12 AWG
6.0: 6.0mm² - 10 AWG

P
3

3. _____
Cable type:
P: Power-Link solar cable
A: Armor-Link solar cable

90
5

5. (Male, -)
Cable length:
Specify in centimeters

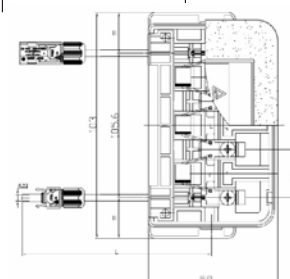
90
6

6. (Female, +)
Cable length:
Specify in centimeters

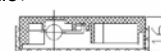
AP- 03 / P / 4.0 / 90 / 90

1 2 3 4 5 6

5. (L-Male)



6. (L-Female)



H4 connector

Features

- Self-locking to meet NEC2008
- Higher current
- Highest IP degree
- Lower power loss



Ordering information

Part No.	Description	Wire range
PV-090506-000	H4 Cable Connector, Mated Pair	6.0mm ² /10AWG
PV-090507-000	H4 Cable Connector, Mated Pair	2.5mm ² /14AWG
PV-090508-000	H4 Cable Connector, Mated Pair	4.0mm ² /12AWG



PowerLink solar cable

Features

- PV-WIRE rated
- Better flame retardant (VW-1 rating)
- Better sunlight resistance
- Flexibility at low temperature
- Thermoplastic-insulated conductor



Ordering information

Part No.	Description	Conductor cross section
PV-10-663060-004	PowerLink solar cable	2.5mm ² /14AWG
PV-10-663060-005	PowerLink solar cable	4.0mm ² /12AWG
PV-10-663060-006	PowerLink solar cable	6.0mm ² /10AWG

NORTH AMERICA:

Amphenol INDUSTRIAL OPERATIONS

40-60 Delaware Street
Sidney, New York 13838-1395 - USA
Telephone: 1-520-285-5114 • 1-888-364-9011
Fax: 1-520-397-7169

**Amphenol INDUSTRIAL OPERATIONS
Amphenol POWER SOLUTIONS**

34190 Riviera Drive
Fraser, MI 48026 - USA
Telephone: 1-586-294-7400 • Fax: 1-586-294-7402
www.radsok.com

**Amphenol TECHNICAL PRODUCTS
INTERNATIONAL CO.**

2110 Notre Dame Avenue
Winnipeg, MB Canada R3H 0K1
Telephone: 1-204-697-2222 • Fax: 1-204-694-6164
www.tpil.com

Amphenol STEWARD CABLE, INC.

1921 Alta Vista - Midland, Texas 79706 - USA
P.O. Box 11270 - Midland, Texas 79702 - USA
Telephone: 1-432-687-2553 • Fax: 1-432-687-2278
www.stewardcable.com

EUROPE:

Amphenol TUCHEL ELECTRONICS GMBH

Block 5, Fu An 2nd Industrial Park,
74080 Heilbronn, Germany
Telephone: +49 7131 9290 • Fax: +49 7131 929 486
www.Amphenol.de

Amphenol ITALY

Via Barbaiana n. 5 - 20020 Lainate - Milano - Italy
Telephone: 39-293-254-214 • Fax: 39-293-254-444

Amphenol SOCAPEX

948 Promenade del - Arve - Bp29- 74311 Thyez - France
Telephone: 33-4 50 89 28 00 • Fax: 33-4 50 6 29 75

ASIA:

Amphenol TECHNOLOGY (SHENZHEN) CO., LTD

Block 5, Fu An 2nd Industrial Park,
Dayang Road, Fuyong, Shenzhen - China 518103
Telephone: 0755-2991-8389 • Fax: 0755-2991-8310
www.amphenol-industrial.com.cn

**Amphenol INTERCONNECT INDIA PRIVATE
LIMITED**

105 Bhosari Industrial Area - Pune 411 026 - India
Telephone: 91-20-712-0363/0463/0155
Fax: 91-20-712-0581

Amphenol SINCERE FLEX CIRCUITS CO. LTD

No. A, Wan An Industrial Park
Lan He Town, Panyu District, Guangzhou - China 511480
Telephone: 020-3483-9801 • Fax: 020-3483-9800
www.amphenol-gasf.com

Amphenol DAESHIN

558 Sosa Song Nea Bucheon-city, Kyunggi-DO
Korea 420-130
Telephone: 82-32-610-3800
Fax: 82-32-673-2507/665-6219

Amphenol JAPAN MIL/AERO INDUSTRIAL

689-1, Iseochi, Ritto-shi Shiga 520-3044 - Japan
Telephone: 81-77-553-8501 • Fax: 81-77-551-2200

Amphenol SINGAPORE

300 Beach Road #34-06 The Concourse
Singapore 199555 - Singapore
Telephone: (65) 6294-2128 • Fax: (65) 6294-3522

