



Profiled gasket GDM 3-16 NBR included
 GDM3011 Black housing RS 156-4757
 GDM3011 Grey housing RS 226-4357

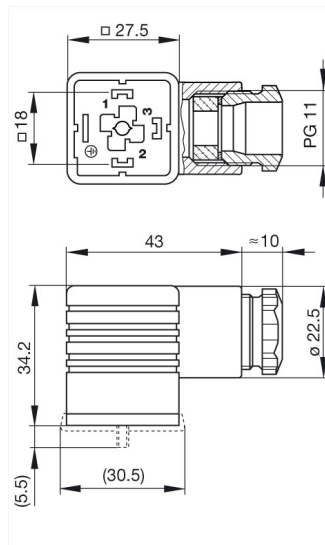
GDM 3011 schwarz/black

Rectangular connectors GDM-series:Type A EN 175301-803 (DIN 43650) / ISO 4400: Cable socket, self-assembly

Product description

Description	cable socket with central screw M 3 x 35
Type	GDM 3011 schwarz/black
Order No.	931 952-100
Other standard types	grey housing, Order no. 931 952-106
Number of contacts	3 + PE
Cable gland	PG 11
Conductor size	max. 1.5 mm ²
Standard	DIN EN 175 301-803-A
Housing Color	black
Construction type	A

Drawing



Technical data

Pin dimensions	6.3 mm x 0.8 mm, 4.8 mm x 0.8 mm
Rated voltage	UC 250 V
Rated current	16 A
Contact resistance	<= 4 mOhm
Type of termination	screw
Suitable cables	6 mm to 9 mm diameter
Mounting	central nut

Material

Contact surface material	Sn
Contact bearer material	PA
Housing material	PA

Environmental conditions

Protection class (IEC 60529)	IP 65 (gasket necessary)
Pollution severity	3
Temperature range	-40 °C to +125 °C
Inflammability class	
Housing	94 HB
Contact bearer	94 HB
Approvals	
VDE	VDE
SEV	SEV
CSA	CSA
Packaging unit	
Packaging unit	200 pieces
Scope of delivery and accessories	
Accessories to order separately	(NBR) flat gasket GDM 3-7, Order no. 730 801-002; (ECO) flat gasket GDM 3-21, Order no. 731 739-002; profiled gasket GDM 3-16, Order no. 731 531-002; knurled screw GDM 3011-8, Order no. 732 574-001; stainless steel screw GDM 3011 RF-1, Order no. 734 363-001



GDM 3-16 NBR schwarz/black

Rectangular connectors GDM-series:Accessories:Accessories for cable socket:Accessories for cable socket model A

Product description

Description	profiled gasket for GDM...
Type	GDM 3-16 NBR schwarz/black
Order No.	731 531-002
Colour	black

Material

Material	NBR
----------	-----

Environmental conditions

Temperature range	-30 °C to +90 °C
-------------------	------------------

Packaging unit

Packaging unit	50 pieces
----------------	-----------