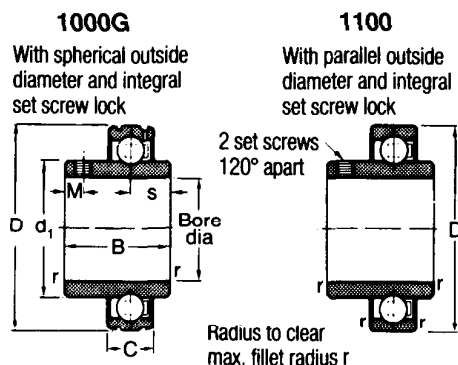


Self-Lube bearing inserts

1000G AND 1100 SERIES (ISO)



Shaft diameter	RHP designation		Dimensions							ISO load ratings		Rec. max. speed	Mass (approx.)
	1000G series	1100 series	D	C	B	s	d ₁	M	r	dynamic* C _r	static C _{or}		
mm inches			mm inches							newtons lbf	newtons lbf	rev/min	kg lb
12	1017-12G	1117-12	40,000	12,00	27,38	11,55	24,21	5,35	0,60	9550	4760	7000	0,09
15	1017-15G	1117-15	1-5748	472	1-078	455	953	211	024	2150	1070		20
16	1017-16G	1117-16											
17	1017-17G	1117-17											
1/2	1017-1/2G	1117-1/2											
5/8	1017-5/8G	1117-5/8											
20	1020-20G	1120-20	47,000	14,00	30,96	12,75	28,50	5,00	1,00	12800	6580	6700	0,13
3/4	1020-3/4G	1120-3/4	1-8504	551	1-219	502	1-122	197	039	2880	1480		28
25	1025-25G	1125-25	52,000	15,00	34,11	14,32	34,01	5,35	1,00	14000	7880	6250	0,17
7/8	1025-7/8G	1125-7/8	2-0472	591	1-343	564	1-339	211	039	3150	1770		38
15/16	1025-15/16G	1125-15/16											
1	1025-1G	1125-1											
25	1030-25G	1130-25	62,000	16,00	38,10	15,93	40,00	5,85	1,00	19500	11300	5300	0,37
30	1030-30G	1130-30	2-4409	630	1-500	627	1-575	230	039	4380	2540		81
1	1030-1G	1130-1											
1 1/8	1030-1 1/8G	1130-1 1/8											
1 3/16	1030-1 3/16G	1130-1 3/16											
1 1/4	1030-1 1/4G	1130-1 1/4											
30	1035-30G	1135-30	72,000	17,00	42,88	17,53	46,69	7,35	1,00	25700	15300	4500	0,51
35	1035-35G	1135-35	2-8346	669	1-688	690	1-838	289	039	5780	3440		1-12
1 3/16	1035-1 3/16G	1135-1 3/16											
1 1/4	1035-1 1/4G	1135-1 1/4											
1 5/16	1035-1 5/16G	1135-1 5/16											
1 3/8	1035-1 3/8G	1135-1 3/8											
1 7/16	1035-1 7/16G	1135-1 7/16											
35	1040-35G	1140-35	80,000	18,00	49,23	19,10	52,70	7,95	1,00	29100	17900	4000	0,64
40	1040-40G	1140-40	3-1496	709	1-938	752	2-075	313	039	6540	4020		1-41
1 3/8	1040-1 3/8G	1140-1 3/8											
1 7/16	1040-1 7/16G	1140-1 7/16											
1 1/2	1040-1 1/2G	1140-1 1/2											
40	1045-40G	1145-40	85,000	19,00	49,23	19,10	57,30	7,95	1,00	32500	20500	3700	0,73
45	1045-45G	1145-45	3-3465	748	1-938	752	2-256	313	039	7310	4610		1-62
1 1/2	1045-1 1/2G	1145-1 1/2											
1 5/8	1045-1 5/8G	1145-1 5/8											
1 11/16	1045-1 11/16G	1145-1 11/16											
1 3/4	1045-1 3/4G	1145-1 3/4											
45	1050-45G	1150-45	90,000	20,00	51,59	19,10	62,20	8,95	1,00	35000	23200	3400	0,91
50	1050-50G	1150-50	3-5433	787	2-031	752	2-449	352	039	7870	5220		2-00
1 11/16	1050-1 11/16G	1150-1 11/16											
1 3/4	1050-1 3/4G	1150-1 3/4											
1 7/8	1050-1 7/8G	1150-1 7/8											
1 15/16	1050-1 15/16G	1150-1 15/16											
2	1050-2G	1150-2											
50	1055-50G	1155-50	100,000	21,00	55,55	22,28	68,81	9,55	1,50	43500	29200	3100	1,12
55	1055-55G	1155-55	3-9370	827	2-187	877	2-709	376	059	9780	6560		2-47
1 7/8	1055-1 7/8G	1155-1 7/8											
1 15/16	1055-1 15/16G	1155-1 15/16											
2	1055-2G	1155-2											
2 1/8	1055-2 1/8G	1155-2 1/8											
2 3/16	1055-2 3/16G	1155-2 3/16											

Please check availability

Shaft diameter	RHP designation		Dimensions							ISO load ratings		Rec. max. speed	Mass (approx.)	
	1000G series	1100 series	D	C	B	s	d ₁	M	r	dynamic C _r	static C _{0r}			
mm inches			mm inches							newtons lbf	newtons lbf	rev/min	kg lb	
55		1060-55G	1160-55	110,000	22,00	65,07	25,45	75,34	9,55	1,50	52500	35900	2800	1,47
60		1060-60G	1160-60	4-3307	866	2-562	1-002	2-966	376	059	11800	8070		3-25
	23/16	1060-23/16G	1160-23/16											
	21/4	1060-21/4G	1160-21/4											
	23/8	1060-23/8G	1160-23/8											
	27/16	1060-27/16G	1160-27/16											
60		1065-60G	1165-60	120,000	23,00	65,07	25,45	82,40	9,55	1,50	57500	40000	2600	2,02
65		1065-65G	1165-65	4-7244	906	2-562	1-002	3-244	376	059	12930	8990		4-45
	21/2	1065-21/2G	1165-21/2											
60		1070-60G	1170-60	125,000	24,00	74,63	30,23	87,00	12,15	1,50	62000	44000	2450	2,27
65		1070-65G	1170-65	4-9213	945	2-938	1-190	3-425	478	059	13940	9890		5-00
70		1070-70G	1170-70											
	27/16	1070-27/16G	1170-27/16											
	21/2	1070-21/2G	1170-21/2											
	25/8	1070-25/8G	1170-25/8											
	211/16	1070-211/16G	1170-211/16											
65		1075-65G	1175-65	130,000	25,00	77,77	33,37	92,00	12,75	1,50	66000	49300	2300	2,61
70		1075-70G	1175-70	5-1181	984	3-062	1-314	3-622	502	059	14840	11080		5-75
75		1075-75G	1175-75											
	211/16	1075-211/16G	1175-211/16											
	23/4	1075-23/4G	1175-23/4											
	27/8	1075-27/8G	1175-27/8											
	215/16	1075-215/16G	1175-215/16											
	3	1075-3G	1175-3											
75		1080-75G	1180-75	140,000	26,00	82,55	33,37	98,50	11,15	2,00	72500	53000	2150	3,23
80		1080-80G	1180-80	5-5118	1-024	3-250	1-314	3-878	439	079	16300	11910		7-12
	215/16	1080-215/16G	1180-215/16											
	3	1080-3G	1180-3											
	33/16	1080-33/16G	1180-33/16											
	31/4	1080-31/4G	1180-31/4											
80		1085-80G	1185-80	150,000	28,00	85,72	34,18	106,02	11,95	2,00	83500	63800	2000	3,74
85		1085-85G	1185-85	5-9055	1-102	3-375	1-346	4-174	470	079	18770	14340		8-25
	33/16	1085-33/16G	1185-33/16											
	31/4	1085-31/4G	1185-31/4											
	33/8	1085-33/8G	1185-33/8											
	37/16	1085-37/16G	1185-37/16											
85		1090-85G	1190-85	160,000	30,00	96,04	39,73	111,66	11,95	2,00	96000	71500	1900	4,99
90		1090-90G	1190-90	6-2992	1-181	3-781	1-564	4-396	470	079	21580	16070		11-00
	37/16	1090-37/16G	1190-37/16											
	31/2	1090-31/2G	1190-31/2											
95		3095-95G		200,000	45,00	117,48	49,27	130,43	19,05	2,50	143000	110000	1600	9,53
100		3095-100G		7-8740	1-772	4-625	1-940	5-135	750	098	32150	24730		21-00
	315/16	3095-315/16G												
	4	3095-4G												