

6

5

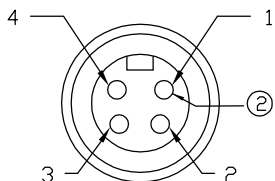
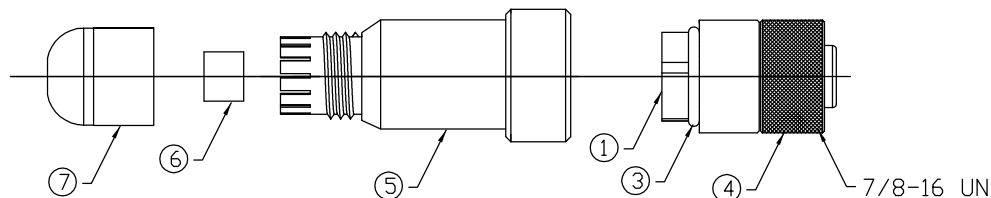
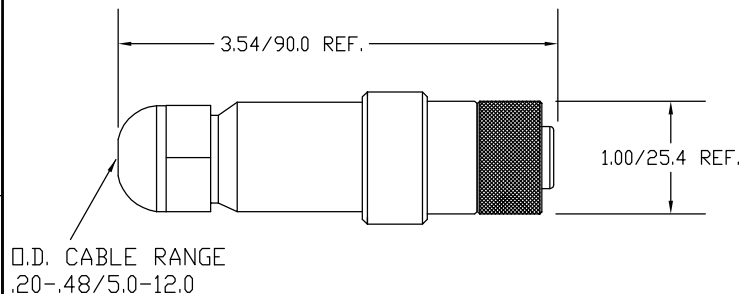
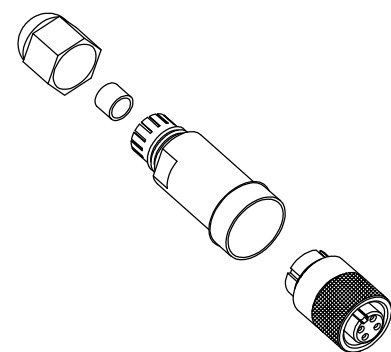
4

3

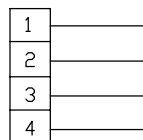
2

1

MATERIAL NUMBER	OLD PART NUMBER	COUPLING NUT MATERIAL	COUPLING NUT FINISH
130017-0015	1A4000-34	BRASS	NICKEL PLATED
130017-0016	1A4000-348	STAINLESS STEEL	PASSIVATED



FEMALE FACE VIEW



WIRING CHART

VOLTAGE RATING	600VAC/VDC
AMPERAGE RATING	13 AMPS
PROTECTION	IP67
OPERATING TEMPERATURE	-20°C TO 80°C
CSA CERTIFICATIONS	CSA CERTIFIED, FILE NO. LR6837

ITEM	COMPONENT	MATERIAL	FINISH
1	INSERT	NYLON	BLACK
2	CONTACTS	COPPER ALLOY	GOLD PLATED
3	O-RING	NITRILE	BLACK
4	COUPLING NUT	SEE CHART	SEE CHART
5	MOLDED BODY	NYLON	BLACK
6	GROMMET	NITRILE	BLACK
7	CORD GRIP BODY	NYLON	BLACK

EC NO: WNA2010-0067
 DRWN: BWOODMAN 7/28/09
 CHKD: JM
 APPR: JFMURPHY 2009/08/10

QUALITY SYMBOLS
 ▽=0
 ∇=0

DESCRIPTION

GENERAL TOLERANCES (UNLESS SPECIFIED)

	mm	INCH
4 PLACES	±----	±----
3 PLACES	±----	±----
2 PLACES	±----	±.01
1 PLACE	±0.3	±----

ANGULAR ±----°

DRAFT WHERE APPLICABLE MUST REMAIN WITHIN DIMENSIONS

DIMENSION STYLE IN/MM

DRAWN BY DATE
 BW 2009/07/28

CHECKED BY DATE
 TW 2009/07/29

APPROVED BY DATE

MATERIAL NO.
 SEE CHART

SIZE
 A

SCALE ----

DESIGN UNITS ----

THIRD ANGLE PROJECTION

TITLE
 MINI 4P FEMALE ATTACH
 .20-.48 O.D. CABLE RANGE

MOLEX INCORPORATED

DOCUMENT NO. SD-130017-003

SHEET NO. 1 OF 1

THIS DRAWING CONTAINS INFORMATION THAT IS PROPRIETARY TO MOLEX INCORPORATED AND SHOULD NOT BE USED WITHOUT WRITTEN PERMISSION

6

5

4

3

2

1