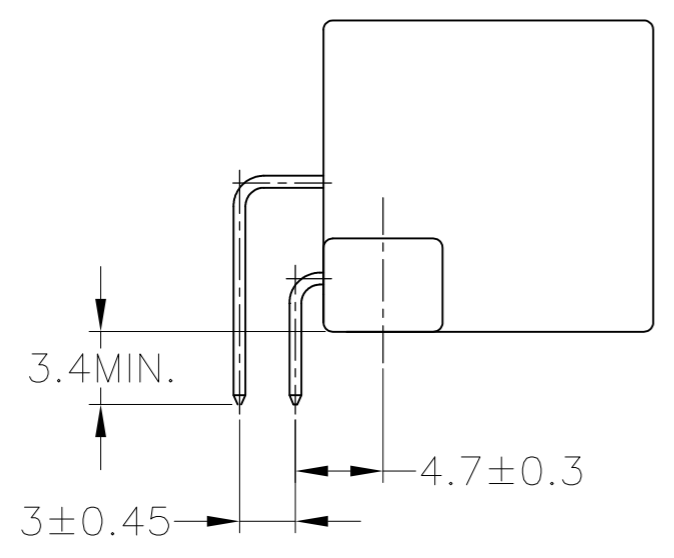
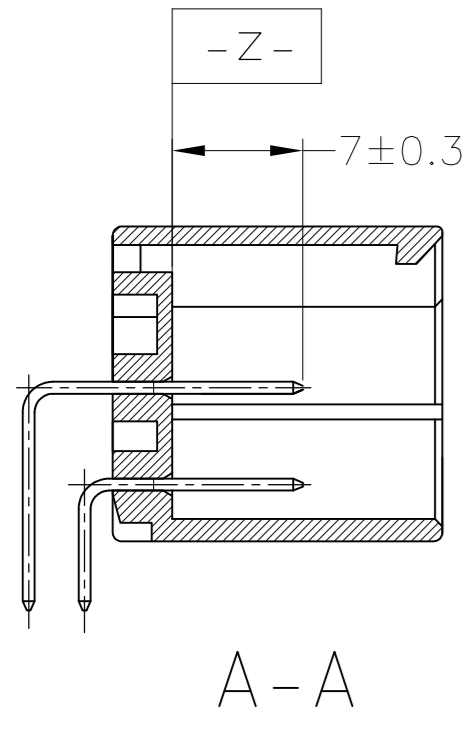
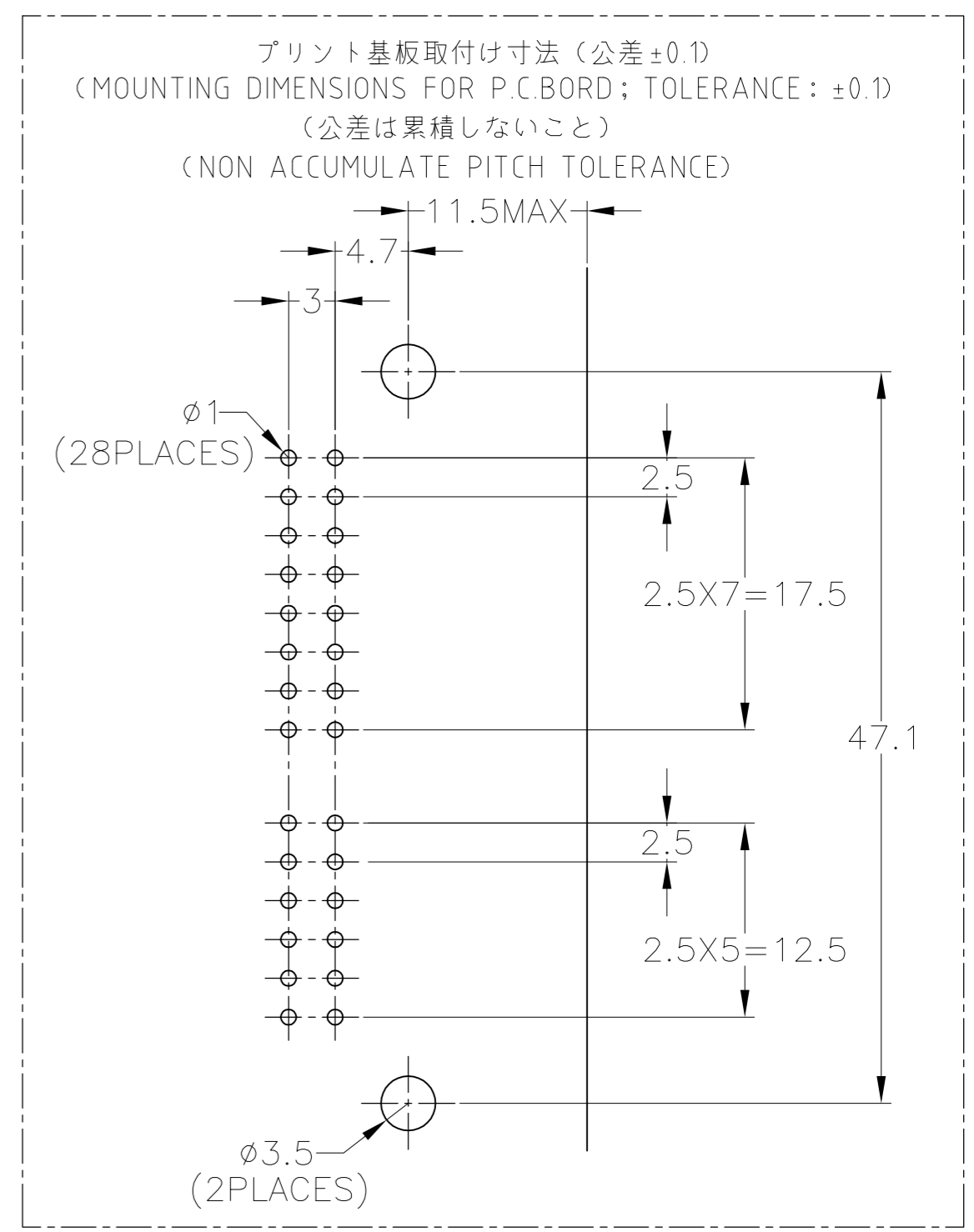
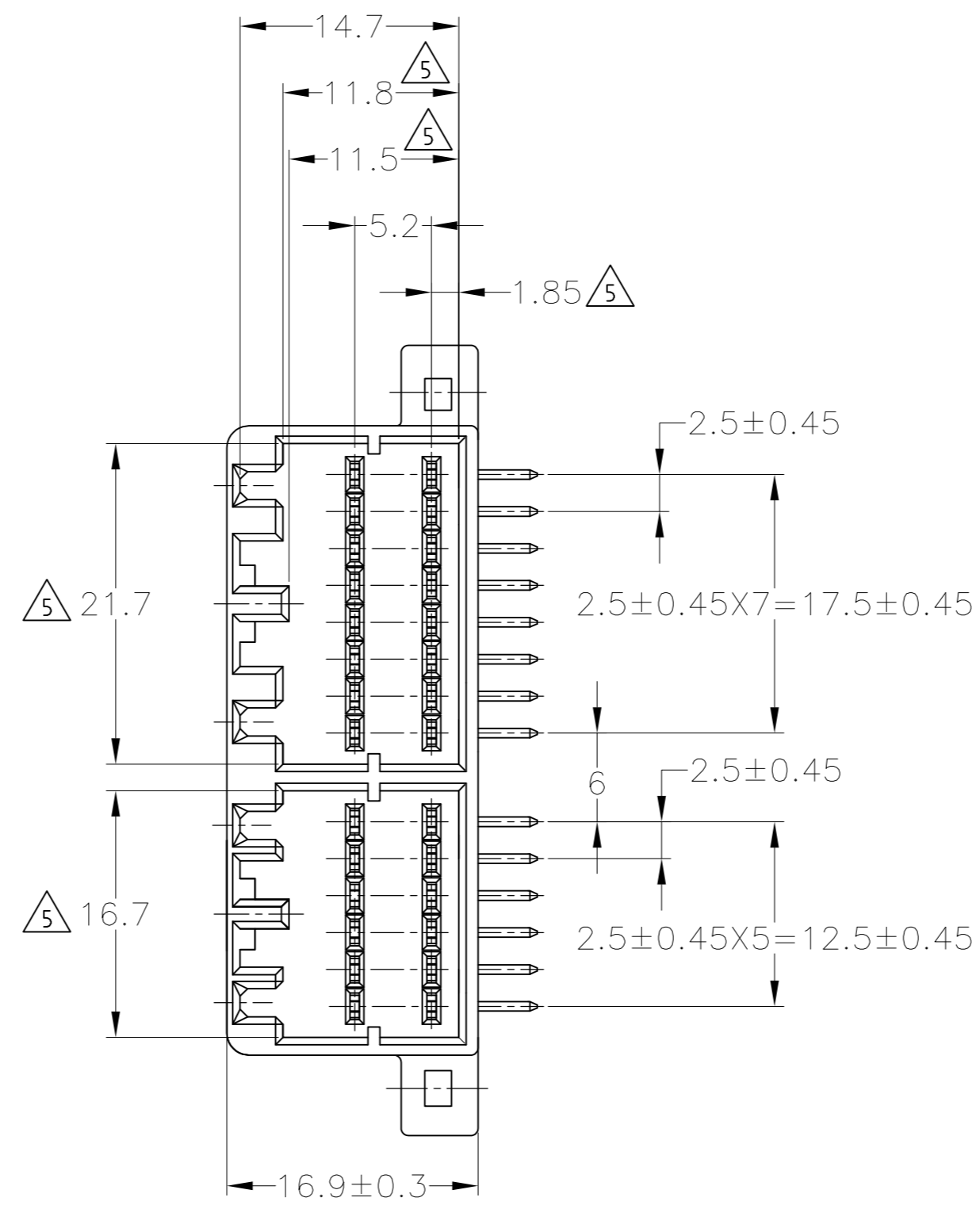
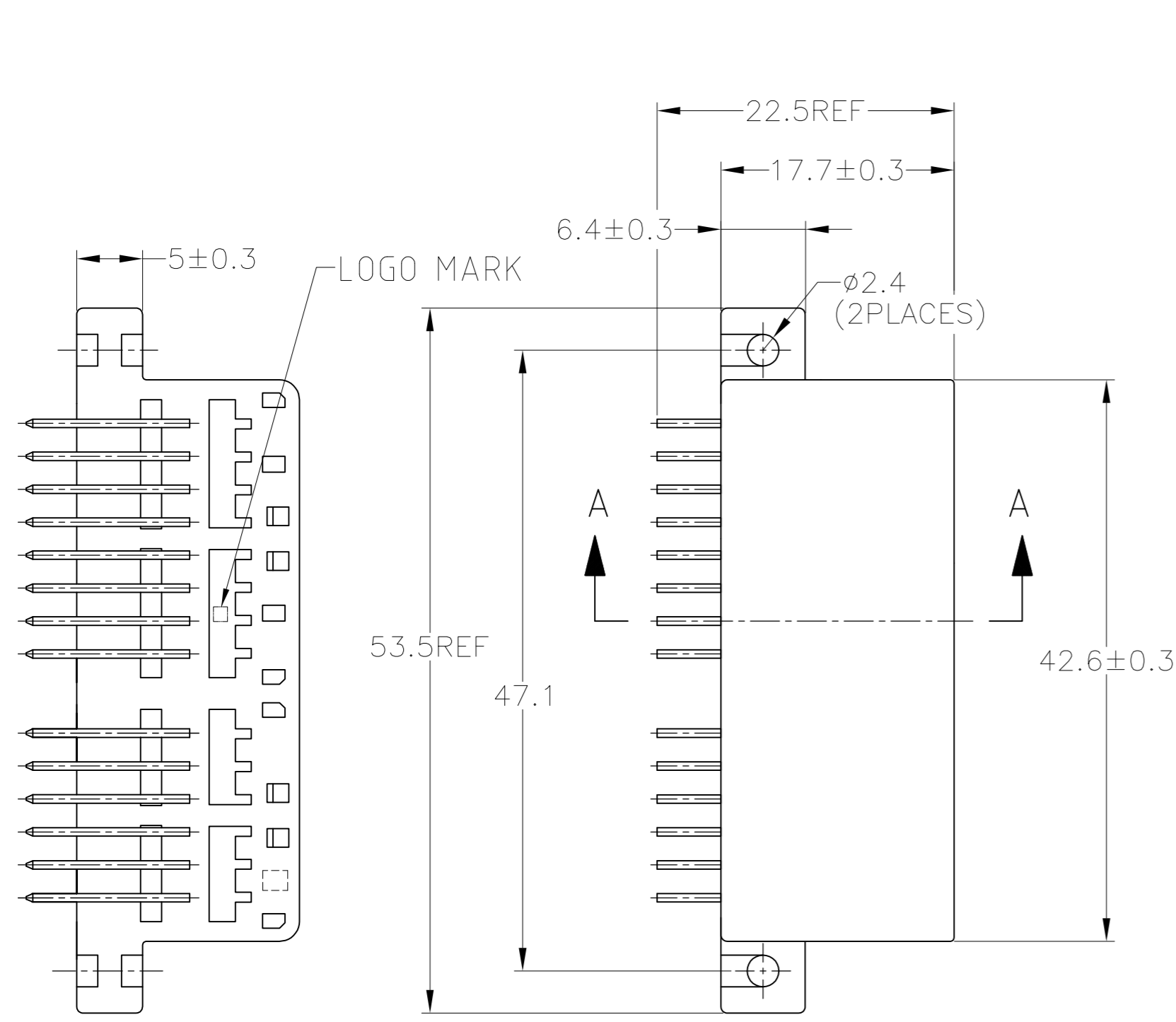


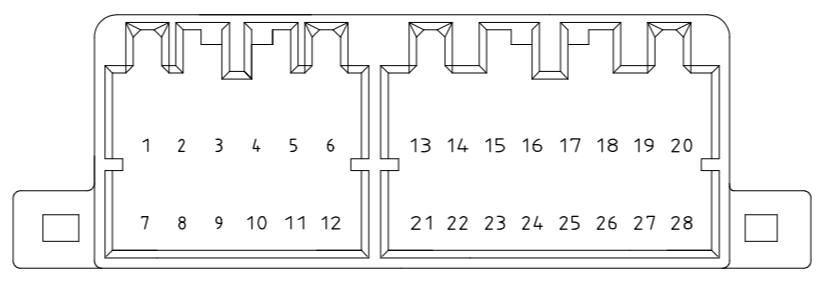
THIS DRAWING IS UNPUBLISHED. RELEASED FOR PUBLICATION
 © COPYRIGHT - By - ALL RIGHTS RESERVED.

LOC	DIST	REVISIONS					
		P	LTR	DESCRIPTION	DATE	DWN	APVD
J	-	C1		REVISED PER ECO-11-005140	28MAR11	RK	HMR



- 適用プリント基板厚; 1.6mm
 - 推奨取付けネジ: JIS B1115, B1122 タッピングネジ、ナベ2種呼び径3、長さ6mm以上(締付トルク; 39.2n-cm以下)
 - 嵌合相手ハウジング; 175965, 175966
 - 適用製品規格番号; 108-5281
- △ -Z- 面から2mmの範囲で測定
 △ 回路番号; 下図参照のこと

- APPLICABLE P.C.B BOARD THICKNESS; 1.6mm
 - RECOMMENDED MOUNTING SCREW 3mm DIA 6mm LENGTH (MIN.) TAPPING SCREW SPECIFIED IN JIS B1115, B1122 (TIGHTENING TORQUE; 39.2N-cm MAX.)
 - THE MATING PLUG HOUSING PART NUMBER; 175965, 175966
 - APPLICABLE PRODUCT SPEC No.; 108-5281
- △ TO BE MEASURED WITHIN 2mm FROM -Z-
 △ CIRCUIT NUMBER



SELECTIVE-TIN (MATTE)	SELECTIVE GOLD x 28	全回路 (ALL CIRCUIT)	黒 (BLACK)	1-5175976-2
TIN-LEAD	SELECTIVE GOLD x 4	⑥ ⑫ ⑲ ⑳	黒 (BLACK)	3-175976-2
TIN-LEAD	PRE-TIN x 24		黒 (BLACK)	2-175976-2
TIN-LEAD	SELECTIVE GOLD x 3	④ ⑤ ⑥	黒 (BLACK)	1-175976-2
TIN-LEAD	PRE-TIN x 25		黒 (BLACK)	175976-3
SELECTIVE-TIN (MATTE)	SELECTIVE GOLD x 2	⑭ ⑳	黒 (BLACK)	175976-2
SELECTIVE-TIN (MATTE)	SELECTIVE-TIN (BRIGHT) x 26		黒 (BLACK)	175976-2
PRE-TIN x 28		-	黒 (BLACK)	175976-2
SOLDERING SIDE 半田付け部	CONTACT SIDE 接触部側	△ CIRCUIT NO OF GOLD PLATED CONTACT 金めっき端子使用回路番号	HOUSING COLOR ハウジング色	PART NUMBER 型番
CONTACT FINISH コンタクト仕上げ				

TOLERANCE UNLESS OTHERWISE SPECIFIED: 一般公差

0 < x ≤ 10 : ±0.2
 10 < x ≤ 30 : ±0.25
 30 < x ≤ 100 : ±0.3
 ANGLE : ±3°

THIS DRAWING IS A CONTROLLED DOCUMENT.

DIMENSIONS: 単位: 概 mm

TOLERANCES UNLESS OTHERWISE SPECIFIED: 一般公差

0 PLC ±
 1 PLC ±
 2 PLC ±
 3 PLC ±
 4 PLC ±
 ANGLES ±

MATERIAL 材料
 HOUSING: PBT
 CONTACT: BRASS

FINISH 仕上

THIS DRAWING IS A CONTROLLED DOCUMENT.

DWN A. YAMAGUCHI 05APR02
 CHK K. BETSUI 05APR02
 APVD K. BETSUI 05APR02

PRODUCT SPEC 製品規格
 APPLICATION SPEC 取付適用規格

SEE NOTE 4

WEIGHT 9.14 g

CUSTOMER DRAWING

WIRE RANGE 適合電線断面積
 INSULATION DIA 被覆外径

TE Connectivity

NAME 名称
 040 SERIES MULTI-LOCK I/O CONN. MK-II
 28Pos. CAP HOUSING ASSEMBLY (H-TYPE)

SIZE A2 CAGE CODE 00779 DRAWING NO. 175976 RESTRICTED TO
 SCALE 尺度 2:1 SHEET 1 OF 1 REV C1