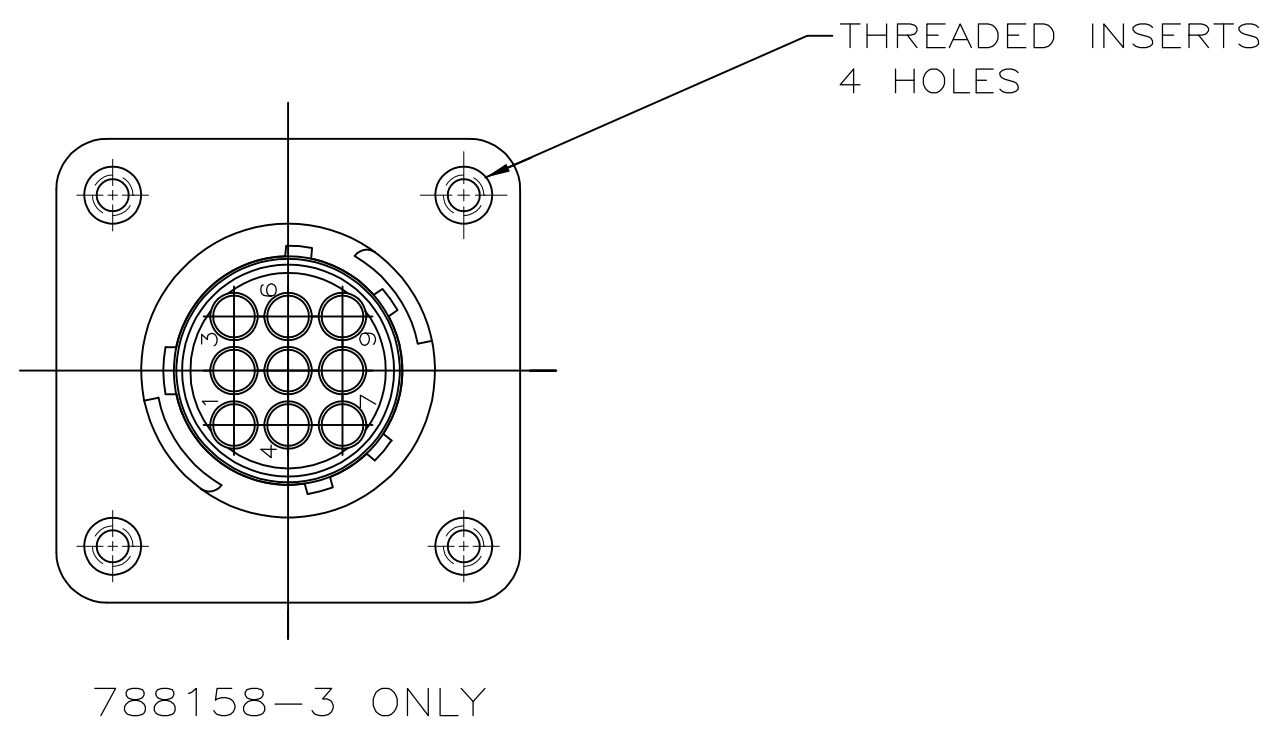
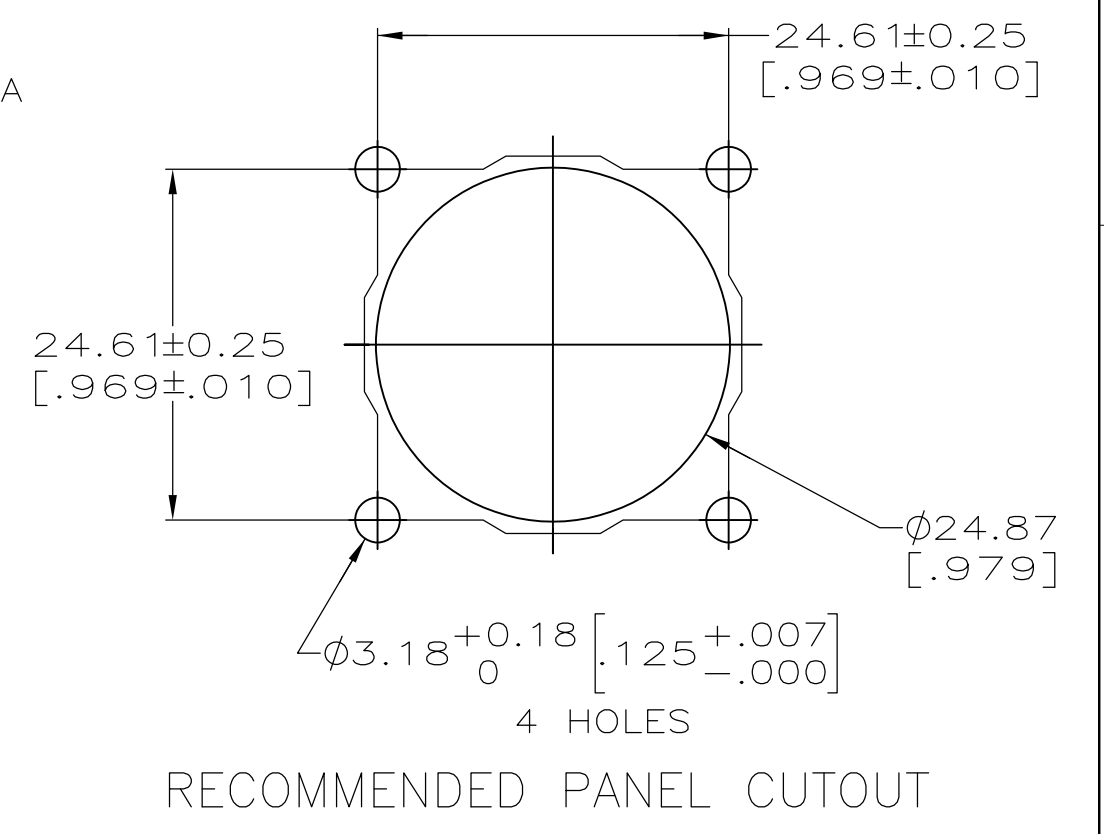
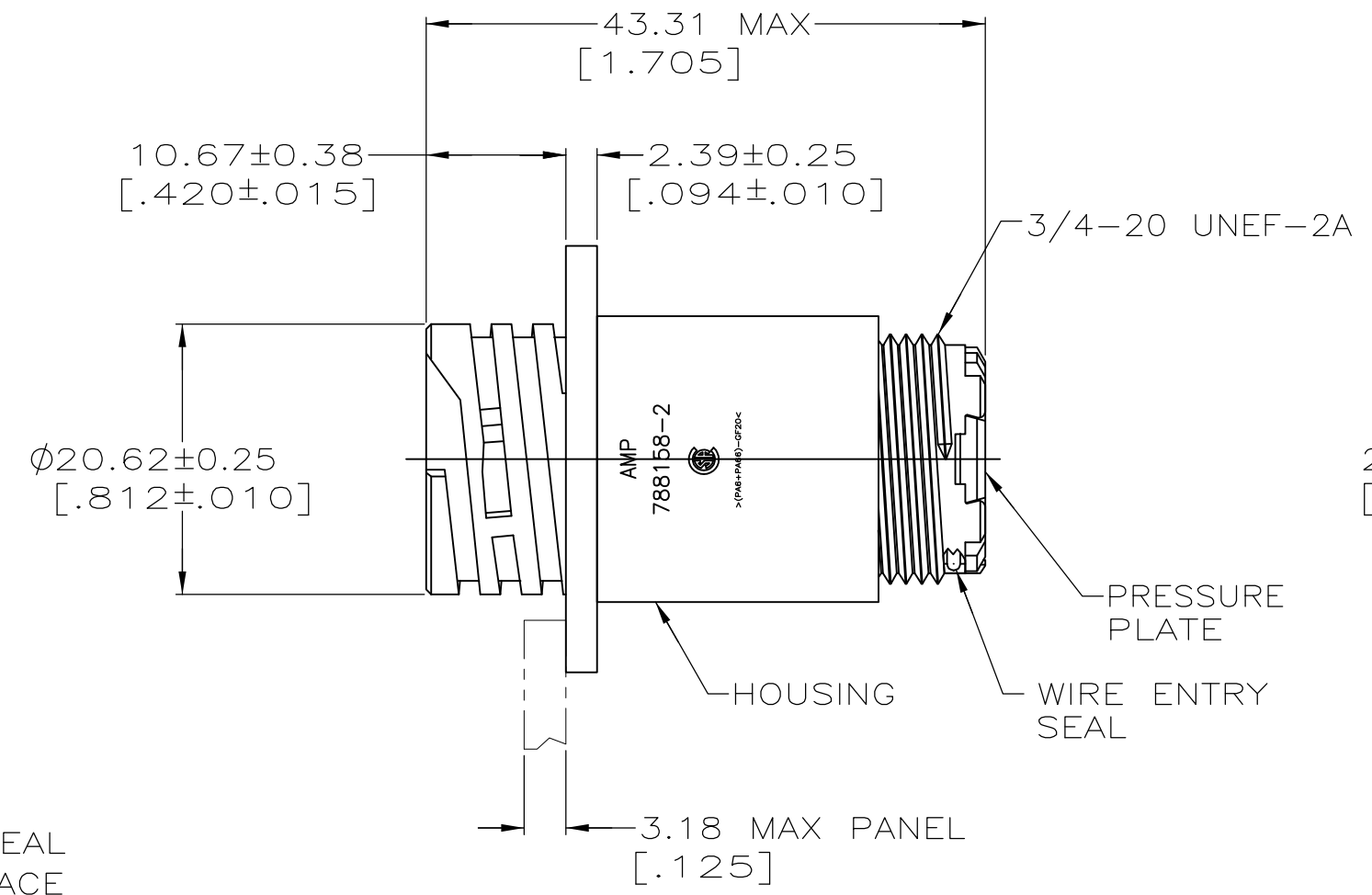
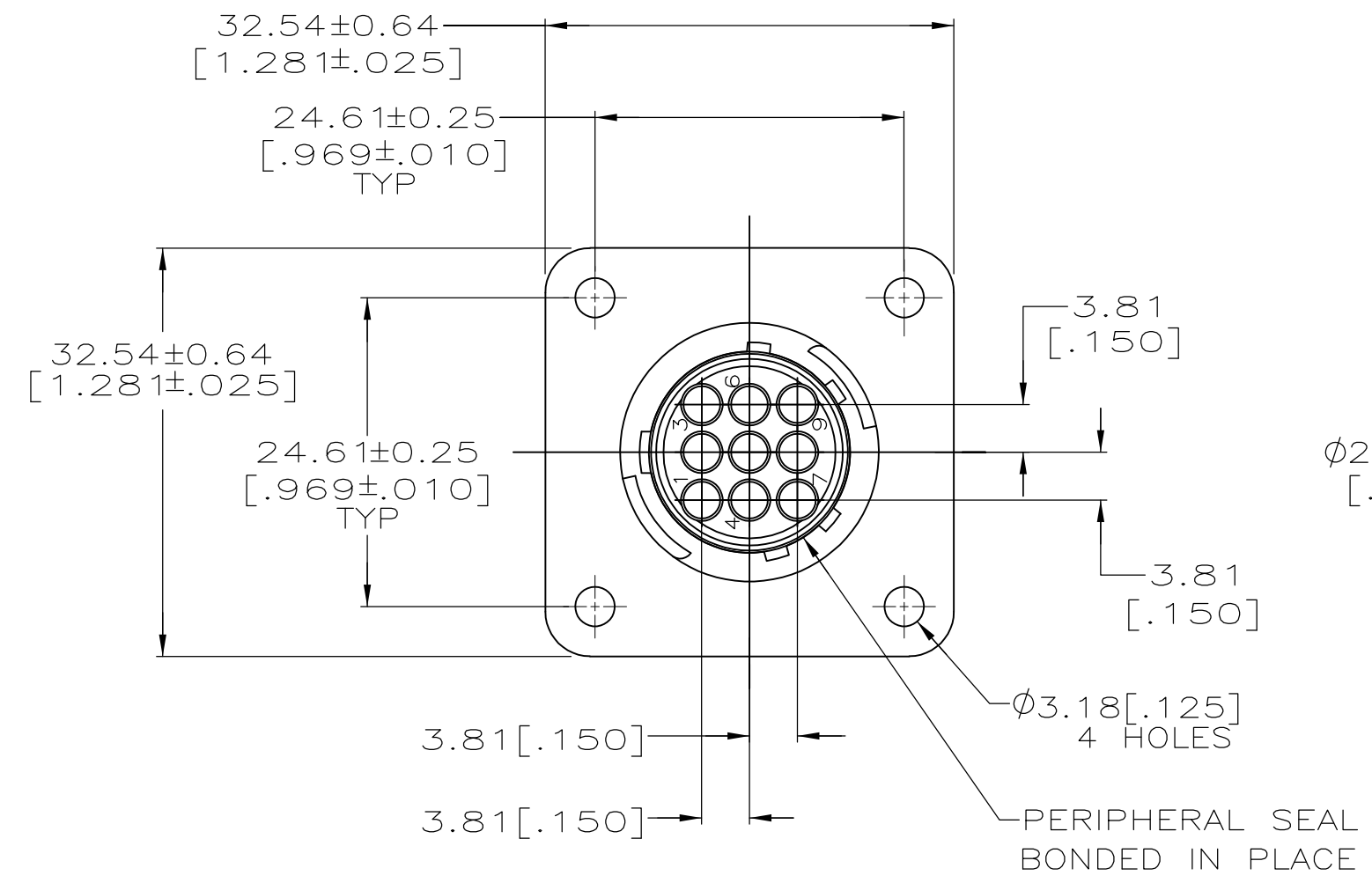


LOC	DIST	REVISIONS					
FT	0	P	LTR	DESCRIPTION	DATE	DWN	APVD
		B		REVISED PER EC 0G3B-0371-00	07AUG2000	LM	MC
		B1		REVISED PER ECO-09-022908	08OCT09	KK	AEG



- 1. THIS PART WILL ACCEPT NINE (9) MULTIMATE PIN CONTACTS.
- 2. HOUSING AND PRESSURE PLATE: NYLON, BLACK.  
PERIPHERAL SEAL: ELASTOMER, GRAY.  
WIRE ENTRY SEAL: ELASTOMER, RED-IRON OXIDE.  
THREADED INSERTS: BRASS
- 3. OBSOLETE PARTS: OBSOLETE CIS STREAMLINING PER D.RENAUD/D.SINISI

3 OBSOLETE	YES	.040-.080	SMALL	788158-3
	NO	.065-.120	STANDARD	788158-2
3 OBSOLETE	NO	.040-.080	SMALL	788158-1
	THREADED INSERTS	DIAMETER RANGE	INSULATION	PART NUMBER

THIS DRAWING IS A CONTROLLED DOCUMENT.

DIMENSIONS: mm [INCHES]	TOLERANCES UNLESS OTHERWISE SPECIFIED:	DWN C.DORWART 26 AUG 98	AMP Incorporated Harrisburg, PA 17105-3608
0 PLC ±-	1 PLC ±-	CHK R.WALTER 26 AUG 98	NAME RECEPTACLE ASSEMBLY, 13-9, STANDARD SEX, SERIES I, SEALED, CIRCULAR PLASTIC CONNECTOR
2 PLC ±0.13 [.005]	3 PLC ±-	APVD R.WALTER 26 AUG 98	
4 PLC ±-	ANGLES ±-	PRODUCT SPEC	SIZE CAGE CODE DRAWING NO RESTRICTED TO
MATERIAL 2	FINISH -	APPLICATION SPEC	A2 00779 G- 788158
		WEIGHT -	CUSTOMER DRAWING SCALE 2:1 SHEET 1 OF 1 REV B1