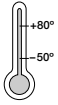




DryLin® SET | EasyTube



3 Dimensions
2 Styles

This new addition to the DryLin® slide table range has an effective but yet solid design, the complete system only consists of a few components. The anodised aluminium tube guides the slide carriage and at the same time protects the leadscrew. The carriage and the trapezoidal nut are manufactured from a high performance polymer bearing material. The system runs without any lubrication, and gives a low friction value combined with an excellent wear rate. Also, iglidur® plain bearings are used in the axial fixing of the leadscrew.

DryLin® SET

Phone: +49 (0) 22 03-96 49-145
Fax: +49 (0) 22 03-96 49-334

iglus® GmbH
51147 Cologne

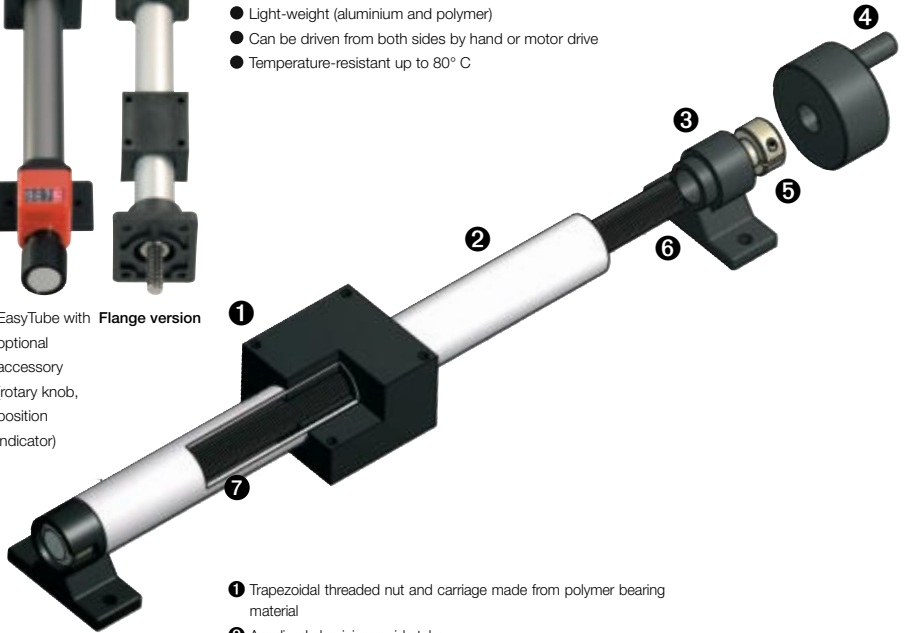
Internet: www.igus.de
E-mail: info@igus.de



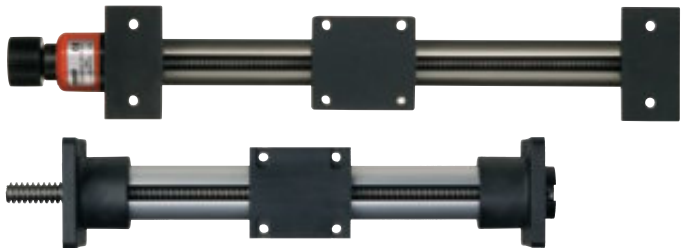
EasyTube with Flange version
optional
accessory
(rotary knob,
position
indicator)

Advantages

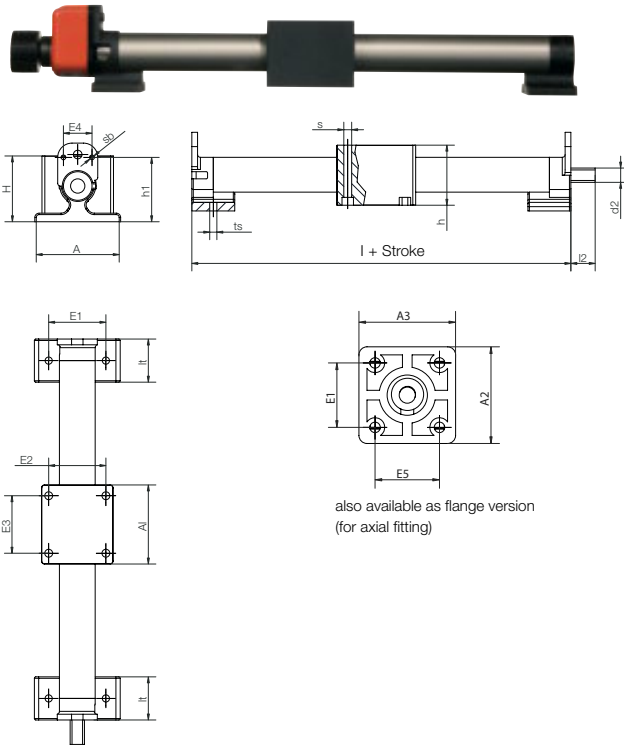
- Totally lubrication-free
- Corrosion-resistant when specified with a stainless leadscrew
- Light-weight (aluminium and polymer)
- Can be driven from both sides by hand or motor drive
- Temperature-resistant up to 80° C



- 1 Trapezoidal threaded nut and carriage made from polymer bearing material
- 2 Anodised aluminium guide tube
- 3 Radial and axial bearings made from polymer bearing material
- 4 Hand wheel
- 5 Stainless steel clamp
- 6 Polymer end block
- 7 Steel trapezoidal leadscrew



Flange version



Lengths [mm] and Weight

Part No.	Maximum Stroke length	Aluminium Shaft			Max. static load-bearing capacity	
		Weight end blocks and carriage	add. (per 100 mm)	axial	radial	
	[mm]	[kg]	[kg]	[N]	[N]	
SET-12-AWM	200	0,05	0,03	10	20	
SET-25-AWM	750	0,15	0,12	150	300	
SET-30-AWM	850	0,20	0,21	200	400	

Dimensions [mm]

Part No.	A	A1	H	E1	E2	E3	E4	I	h	h1	lt	ts	s	sb	l2	d2
SET-12-AWM	30	30	33,5	20	20	20	-	60	22	-	15	3,3	4,2	-	10	M4*
SET-25-AWM	58	55	46	40	40	30/40	20	115	40	45	30	5,2	5,2	3,3	17	TR10x2*
SET-30-AWM	80	55	51	60	40	40	20	125	40	50	35	6,5	5,2	3,3	20	TR12x3*

Dimensions [mm] – flange version

Part No.	A2	A3	H	E1	E2	E3	E5	I	h	lt	ts	s	l2	d2			
SET-25-AWM-F	60	60	46	40	40	30/40	20	40	117	40	45	30	5,2	5,2	3,3	27	TR10x2*
SET-30-AWM-F	80	60	51	60	40	40	20	40	125	40	50	35	6,5	5,2	3,3	30	TR12x3*

* leadscrew end unmachined

Phone: +49 (0) 22 03-96 49-145
 Fax: +49 (0) 22 03-96 49-334

