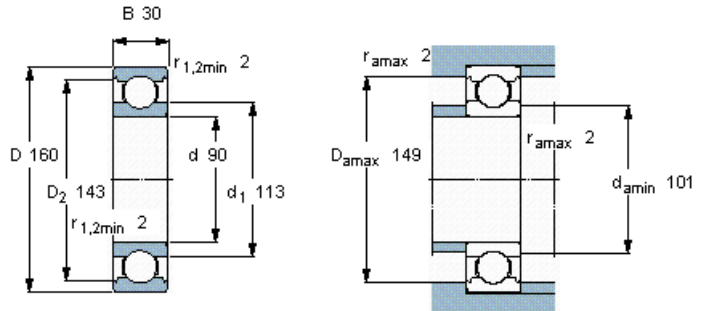


Deep groove ball bearings, single row

Principal dimensions			Basic load ratings		Fatigue load limit P_u	Speed ratings		Mass	Designation
d	D	B	dynamic	static		Reference speed	Limiting speed		
mm			kN		kN	r/min		kg	-
90	160	30	101	73,5	2,8	8500	5300	2,15	6218 *



Calculation factors

k_r 0,025
 f_0 15