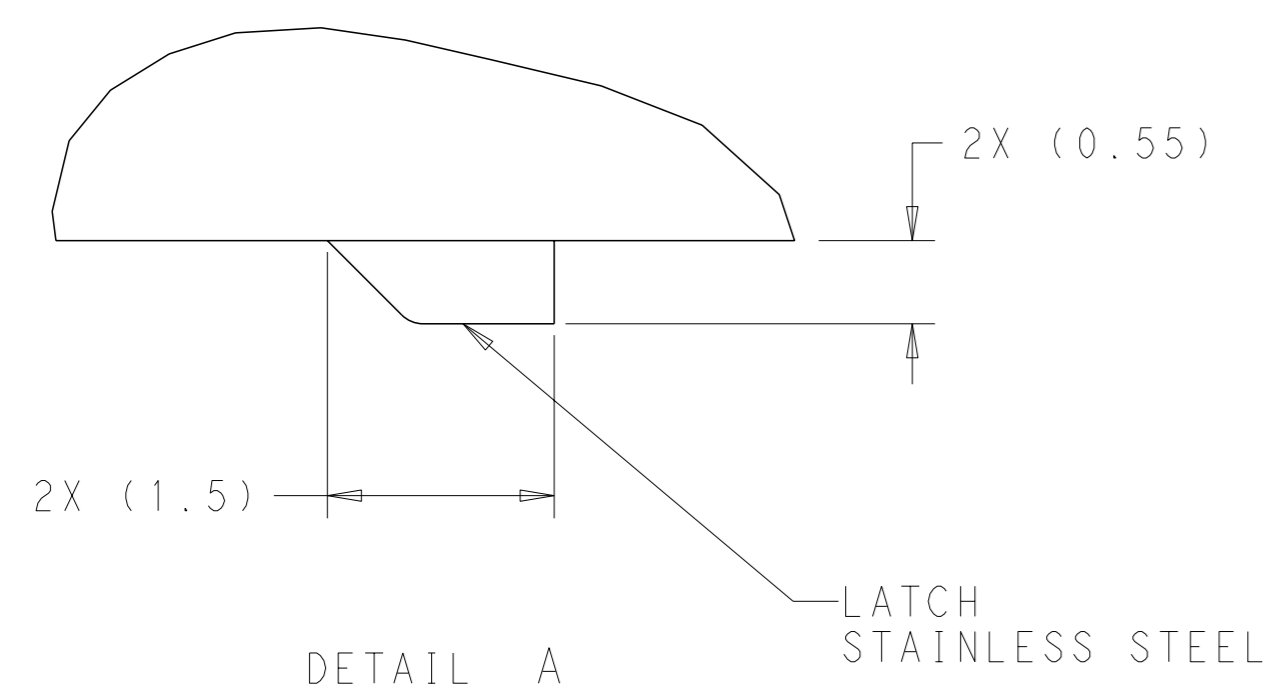
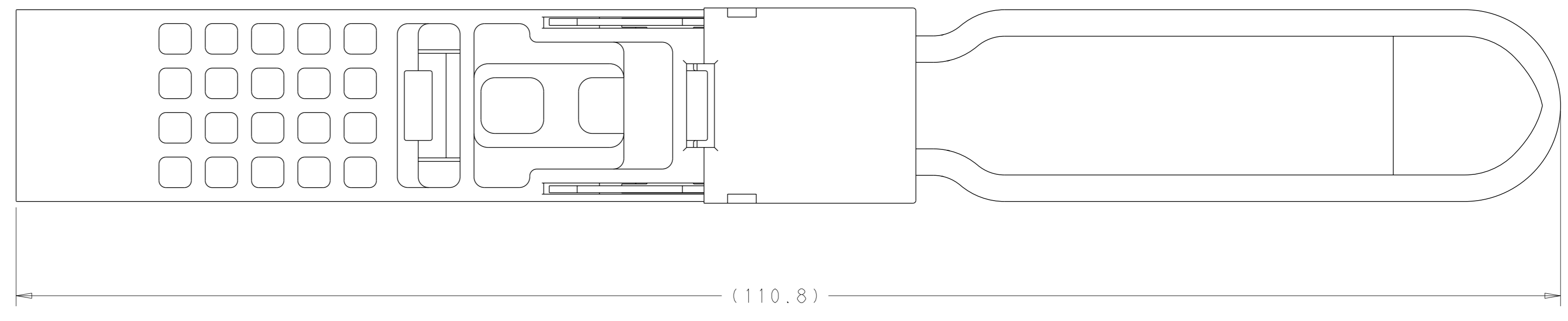
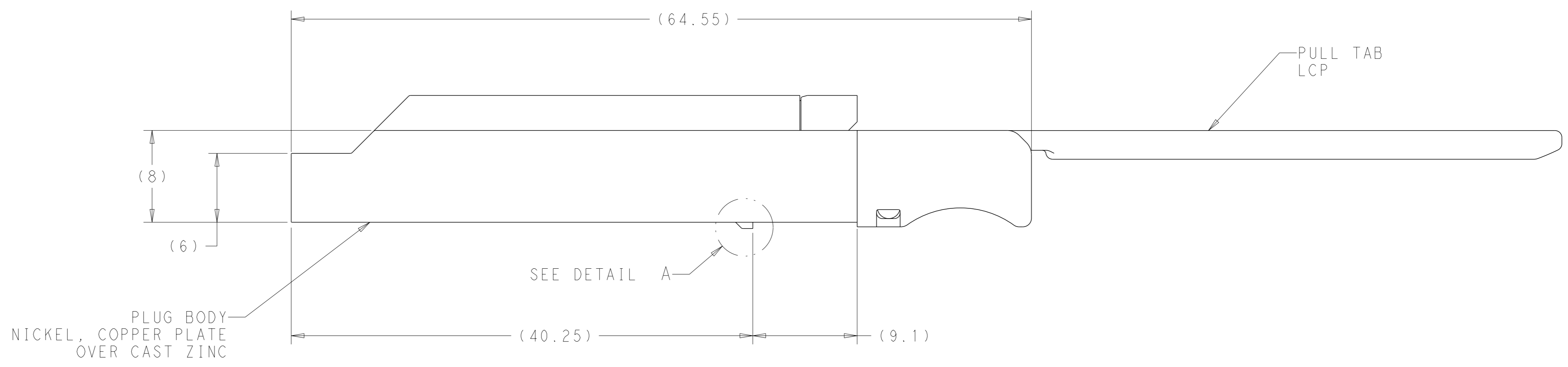
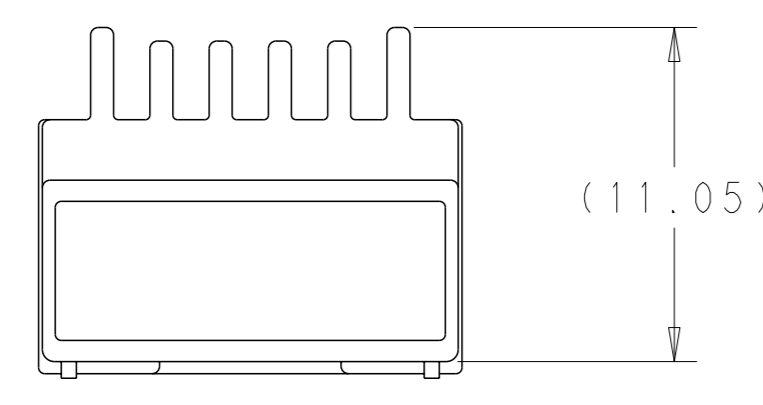
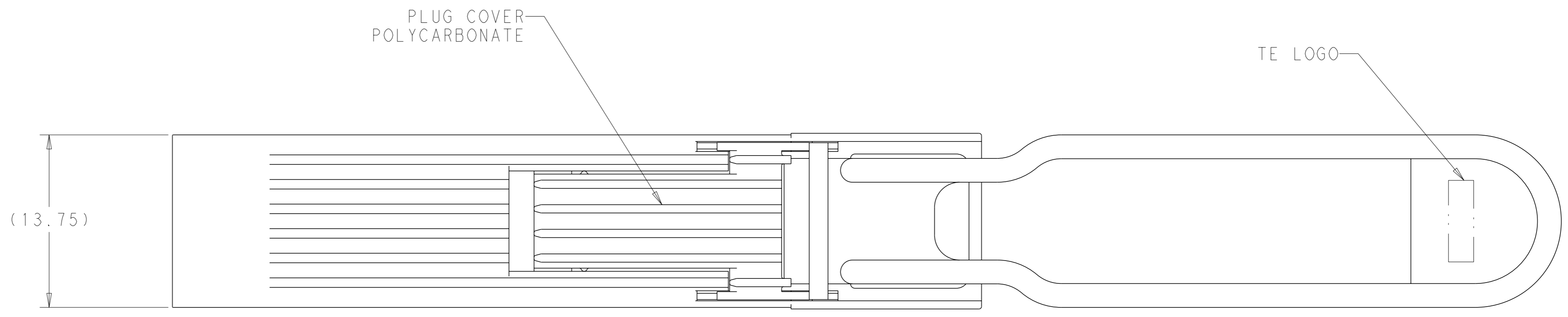


REVISIONS				
#	DATE	DESCRIPTION	DATE	APPROV
1	15MAY2017	ORIGINAL	15MAY2017	CJV EDB



DETAIL A
SCALE 20:1

THIS PRINT IS
PRELIMINARY
 UNQUALIFIED PRODUCT
 CONTACT PRODUCT ENGINEERING
 BEFORE USING THIS PRINT

2300088-1
 PART
 NUMBER

THIS DRAWING IS A CONTROLLED DOCUMENT.		OWN C. VALENTINE 15MAY2017		
DIMENSIONS:		CHK E. BRIAN 15MAY2017	TE Connectivity	
TOLERANCES UNLESS OTHERWISE SPECIFIED:		APPR E. BRIAN 15MAY2017	NAME MicroSFP EMI PLUG ASSY	
mm	0 PLC ±	PRODUCT SPEC		
	1 PLC ±	APPLICATION SPEC		
	2 PLC ±	SIZE	CAGE CODE	DRAWING NO
	3 PLC ±	A1	-	©=2300088
	4 PLC ±	WEIGHT	RESTRICTED TO	
	ANGLES	CUSTOMER DRAWING		
	FINISH	SCALE	4:1	SHEET 1 OF 1 REV 1