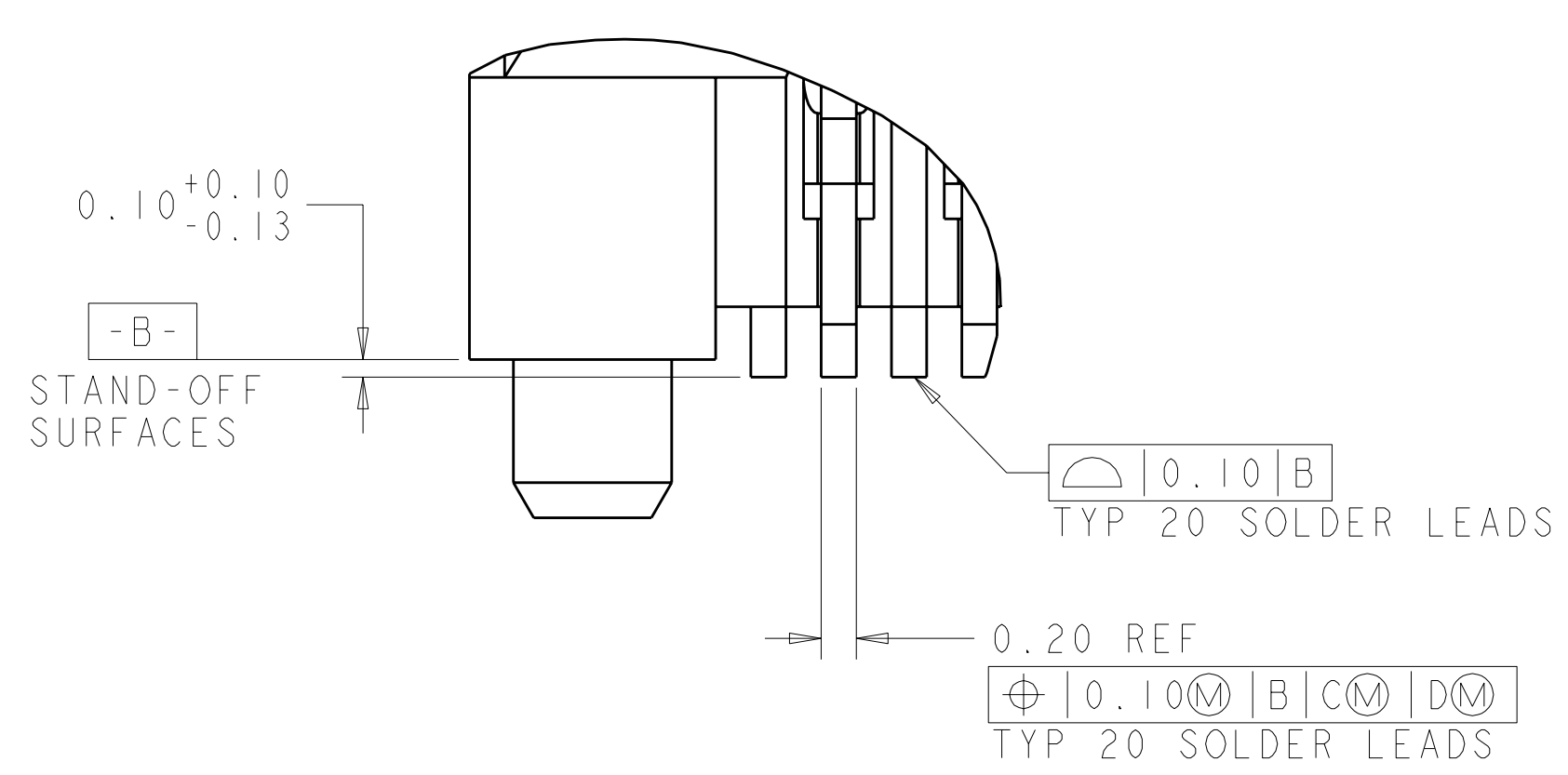
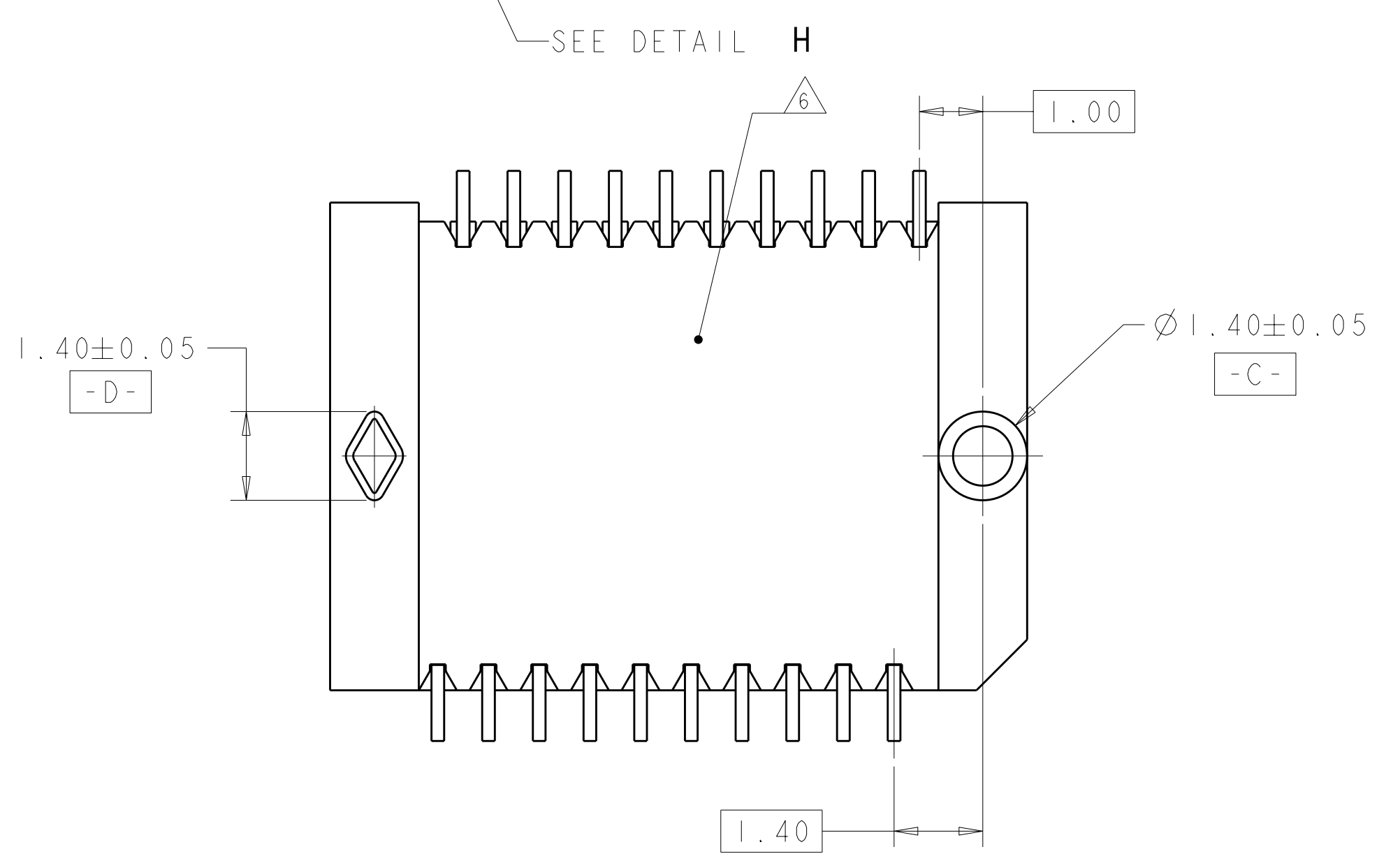
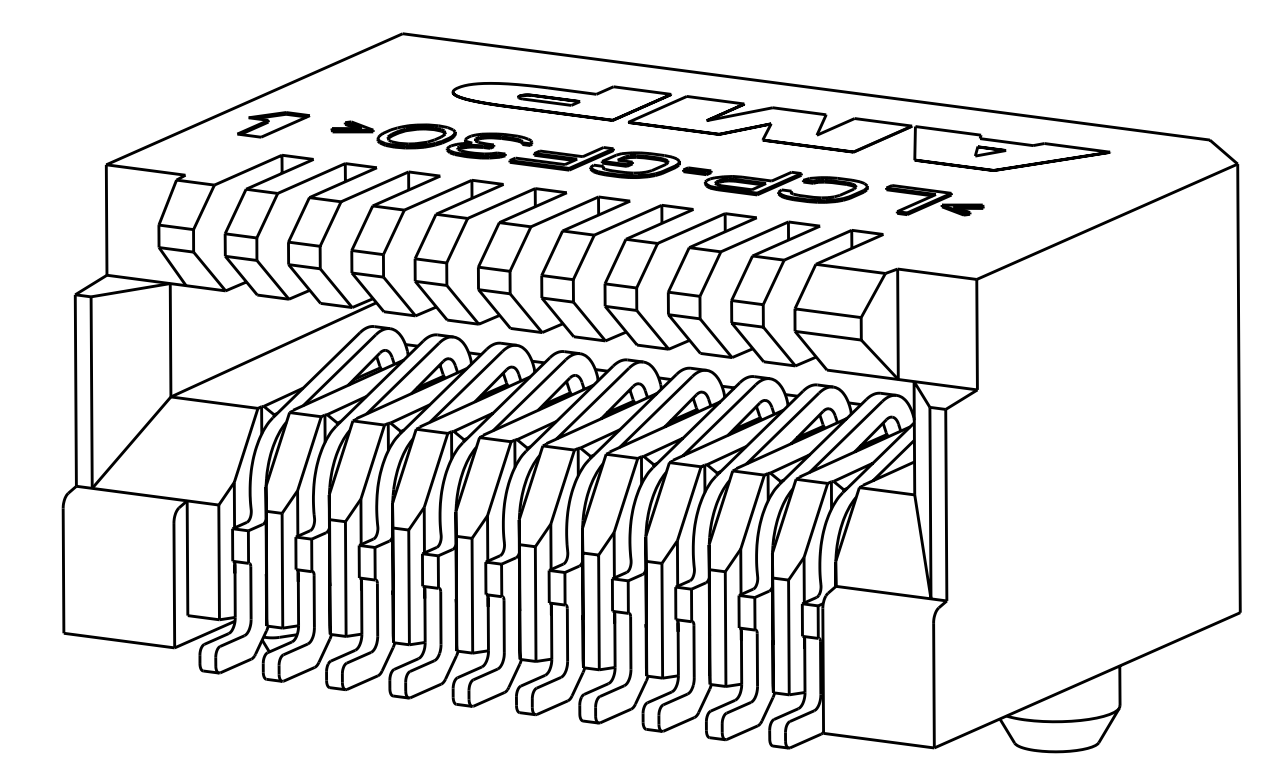
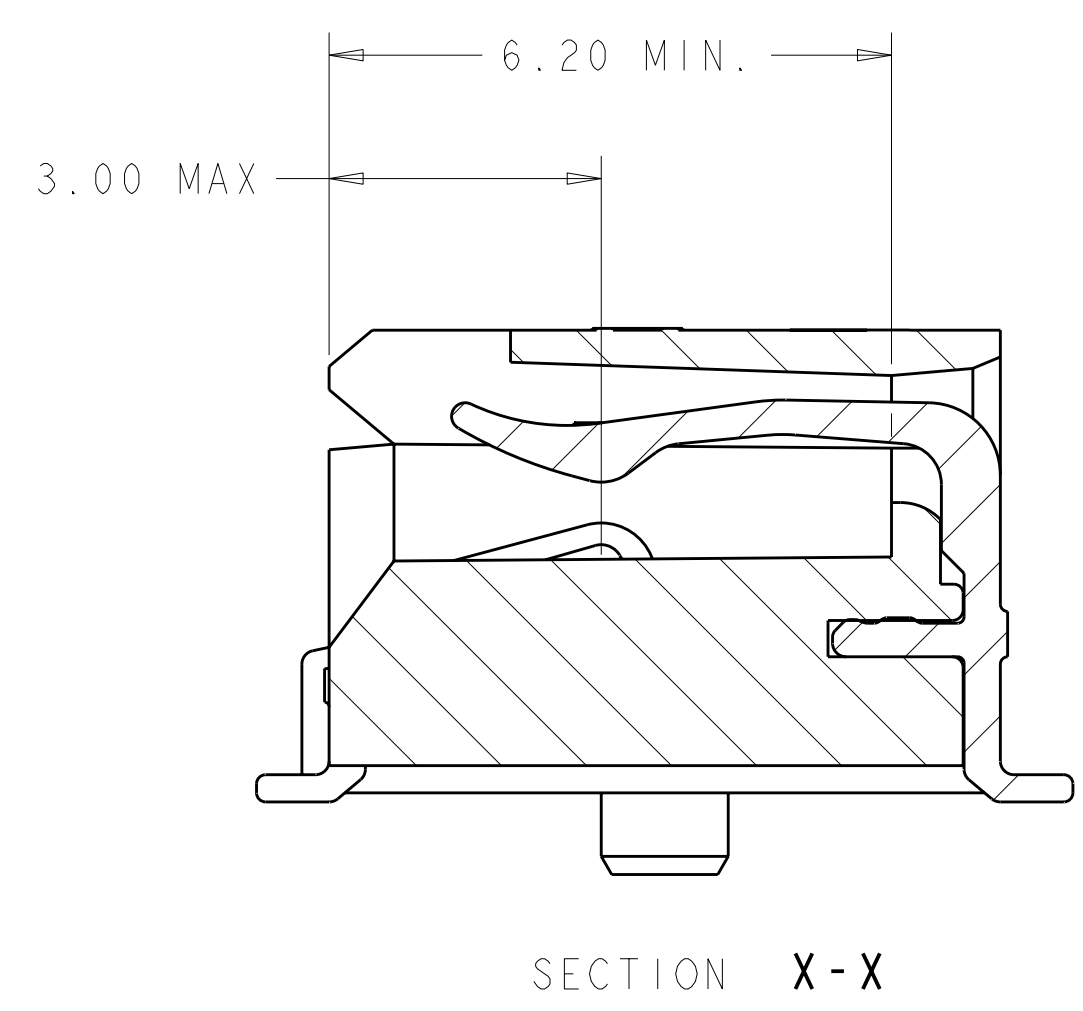
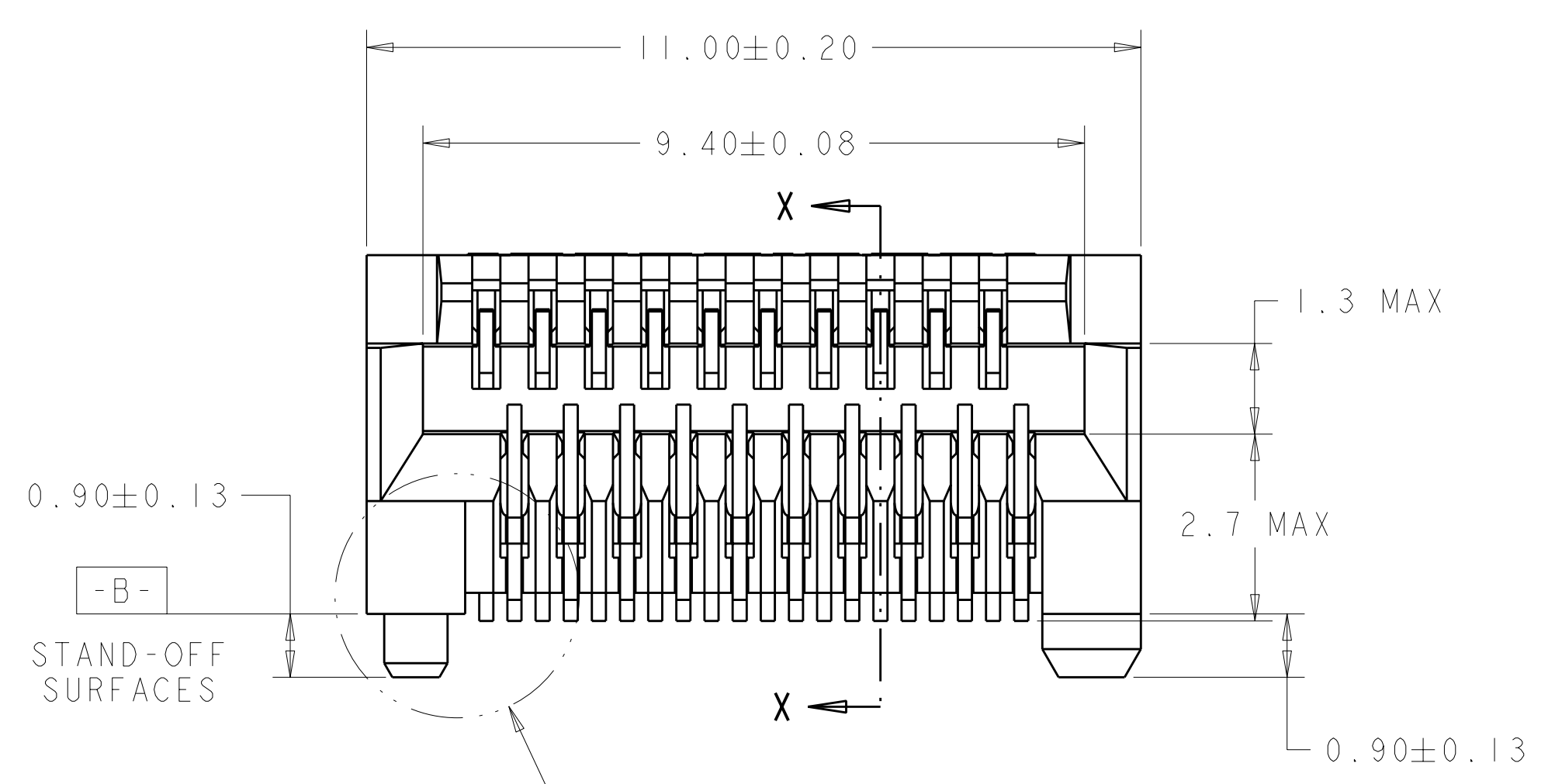
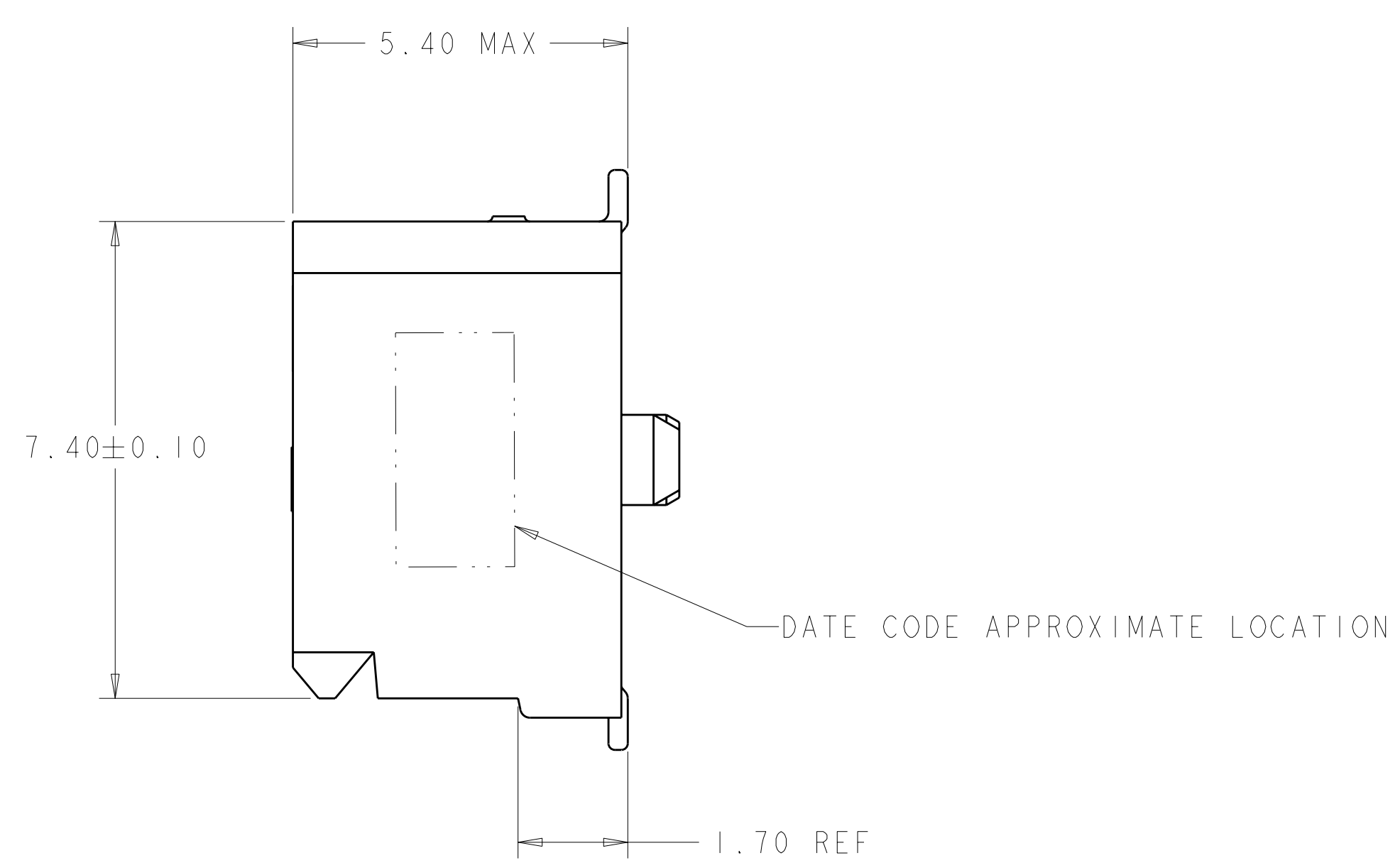
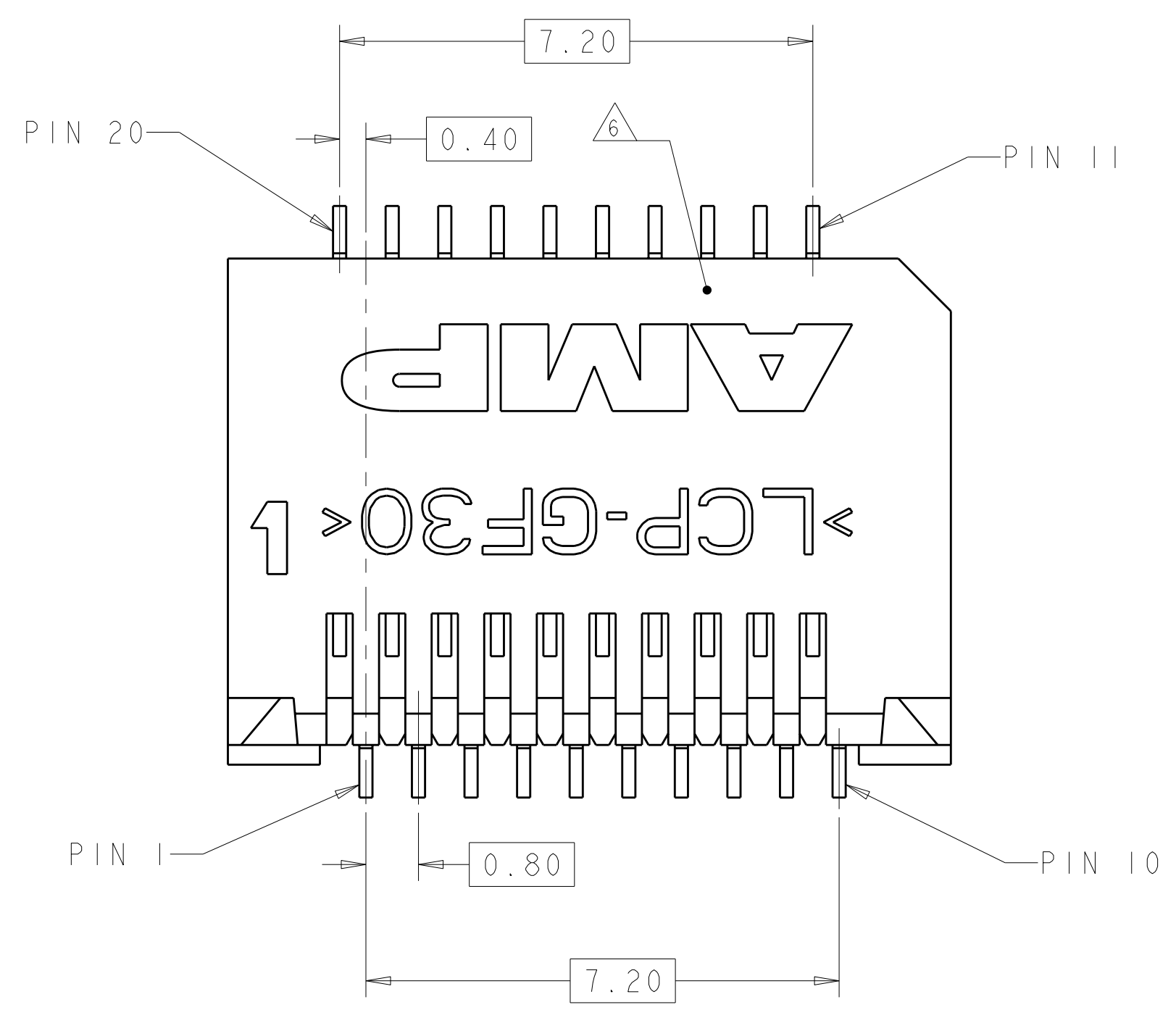


LOC	DIST	REV	DATE	BY	APPD
ES	00				
REVISIONS					
D		REVISED PER ECR-07-019122	20JUL07	ML	SY
F		REVISED PER ECR-07-025522	25OCT07	LL	SY
G		REVISED PER ECR-09-001268	20MAR09	AL	SY
H		REVISED PER ECR-09-015300	20JUL2009	AL	SY



- 1 MATERIAL:  
HOUSING: HIGH TEMPERATURE LCP, UL 94V-0 RATED, WHITE  
CONTACTS: PHOSPHOR BRONZE.
- 2 FINISH:  
CONTACTS: 0.00076 MIN GOLD ON CONTACT AREA, 0.00013 MIN GOLD ON SOLDER AREA. ALL OVER 0.0038 MIN NICKEL UNDERPLATE ON ENTIRE CONTACT. LUBRICANT ON GOLD PLATE CONTACT AREAS.
- 3. PACKAGED 480 PIECES PER REEL.
- 4 DATUMS AND BASIC DIMENSIONS TO BE ESTABLISHED BY CUSTOMER; SEE DRAWING 1367034 FOR LAYOUT WHEN USED WITH 1367034-1 BOTTOM CAGE (STANDARD SFP APPLICATION).
- 5 FINISH:  
CONTACTS: 0.00038 MIN GOLD ON CONTACT AREA, 0.00013 MIN GOLD ON SOLDER AREA. ALL OVER 0.0038 MIN NICKEL UNDERPLATE ON ENTIRE CONTACT. LUBRICANT ON GOLD PLATE CONTACT AREAS.
- 6 PULL GROOVES PERMITTED ON THESE SURFACES AT MOLDING ENGINEERING DISCRETION

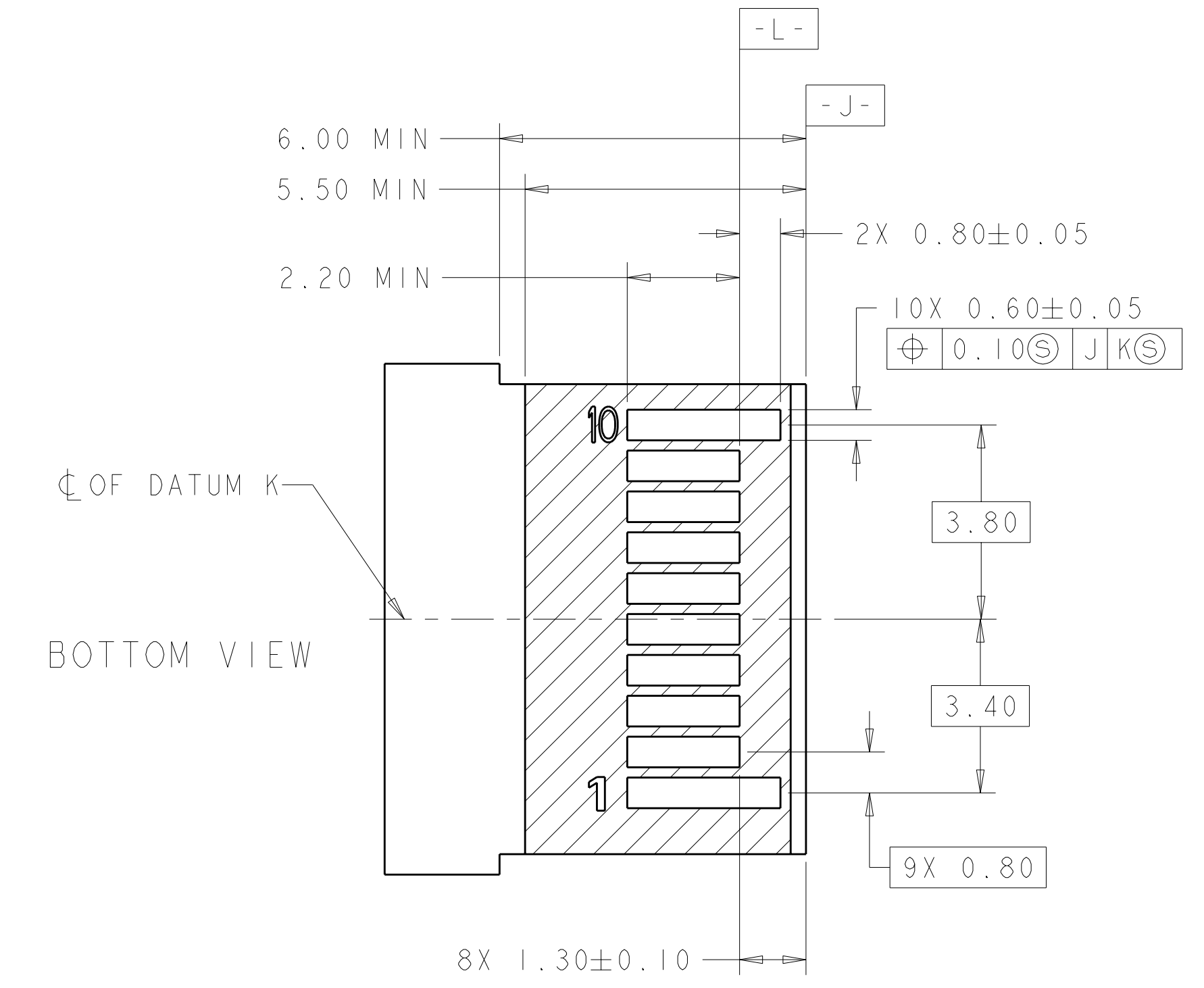
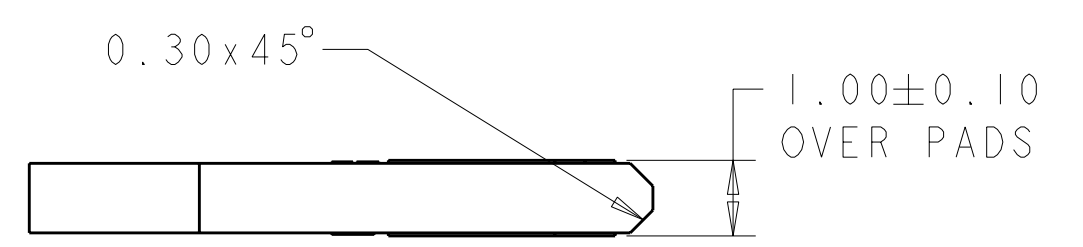
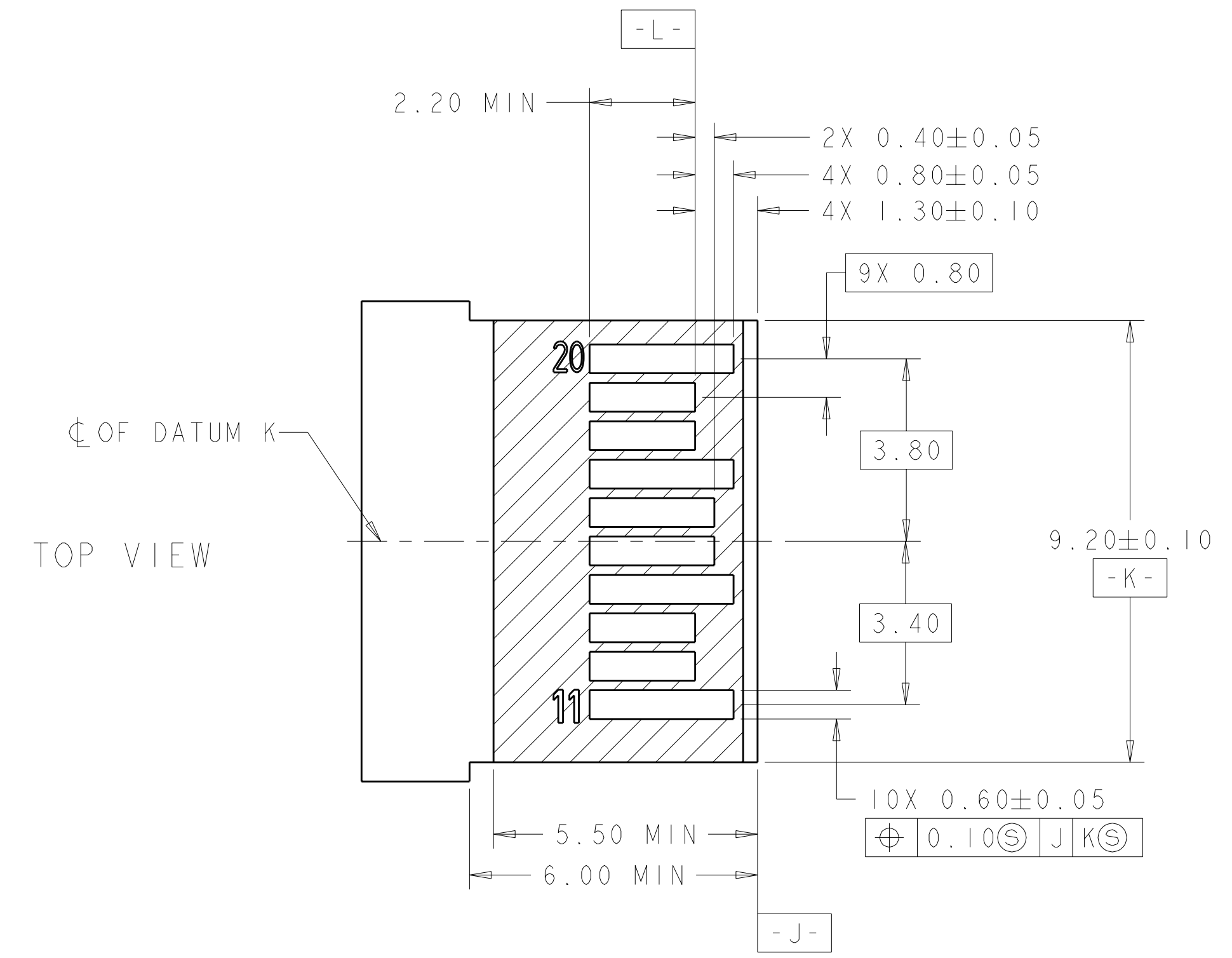
YES	5	1888247-4
YES	2	1888247-3
NO	5	1888247-2
NO	2	1888247-1
DATE CODE	FINISH	PART NUMBER

DIMENSIONS:		TOLERANCES UNLESS OTHERWISE SPECIFIED:		DWN		Tyco Electronics	
mm	9 PLC	±		B	MCMaster	14FEB06	Tyco Electronics Corporation
	1 PLC	±		S	S. SHUEY	14FEB06	Shanghai, P.R.China, 200233
	2 PLC	±	0.10	APVD	S. SHUEY	14FEB06	
	3 PLC	±		PRODUCT SPEC			PT CONNECTOR ASSEMBLY, 20 POS.
	4 PLC	±		APPLICATION SPEC			RIGHT ANGLE, 0.8mm PITCH, SFP SFP+
	ANGLES	±		114-13017			SIZE CAGE CODE DRAWING NO
MATERIAL	FINISH			114-13017			RESTRICTED TO
				WEIGHT			A 100779 C=1888247
				CUSTOMER DRAWING			SCALE 8:1 SHEET 1 OF 3 REV J

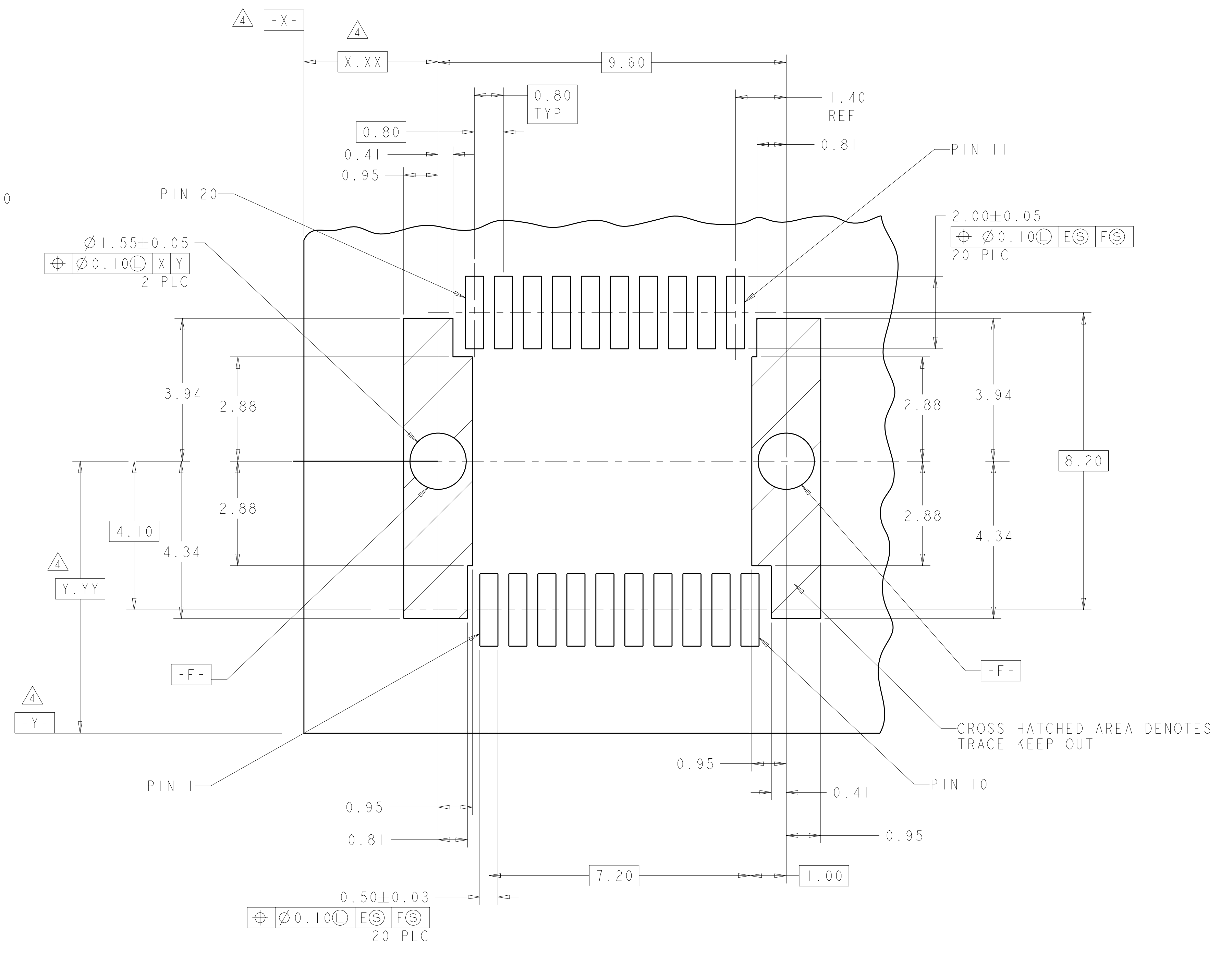
LOC	DIST	REV	DATE	BY	APPD
ES	00				

REVISIONS		DATE	BY	APPD
1	SEE SHEET 1			



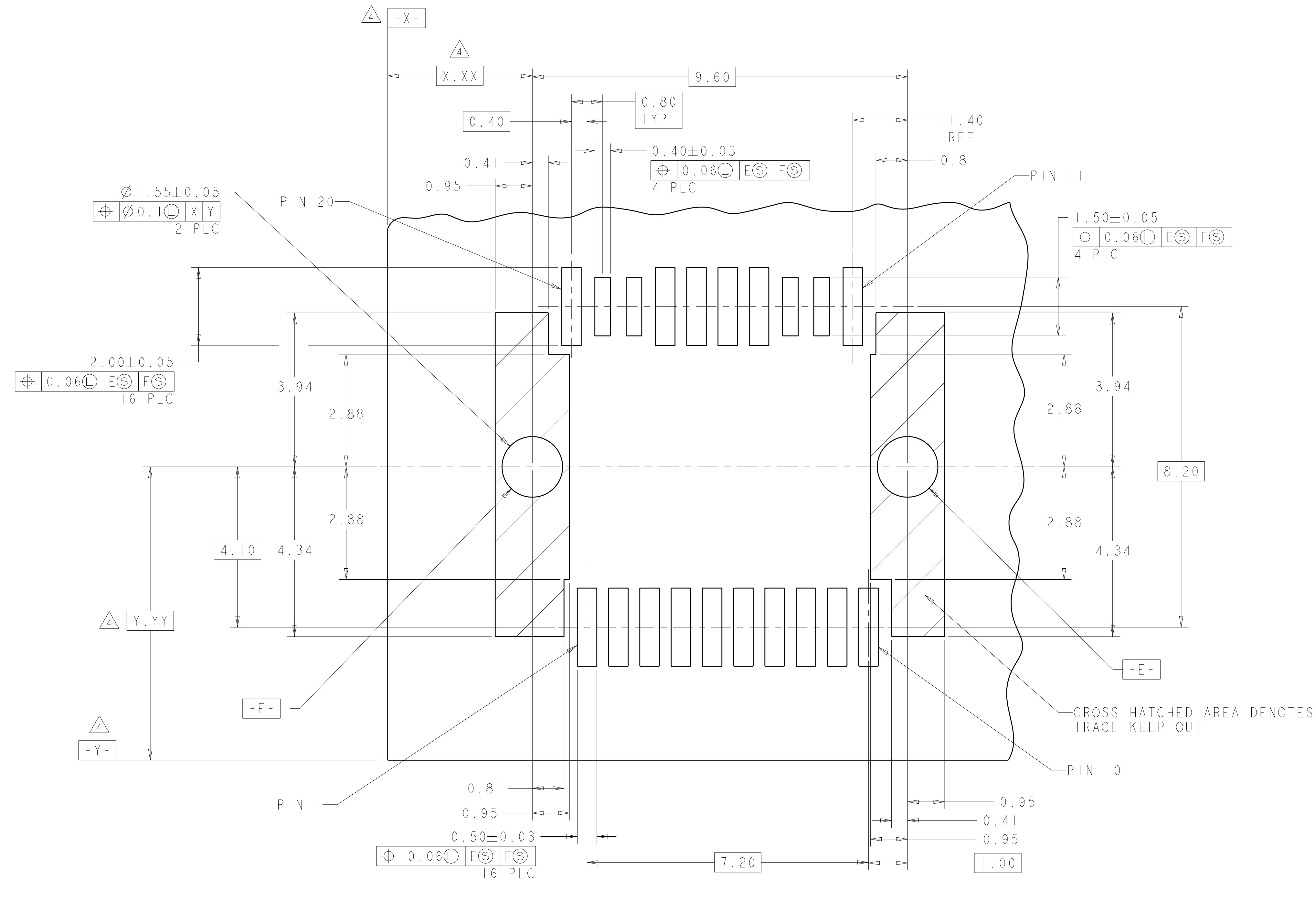
RECOMMENDED LAYOUT DETAIL  
 MATING TRANSCEIVER PCB  
 SCALE 10:1



RECOMMENDED PCB LAYOUT DETAIL  
 CONNCTOR MOUNTING SIDE  
 SCALE 14:1

DIMENSIONS:		TOLERANCES UNLESS OTHERWISE SPECIFIED:		DWN		CHK		APVD		NAME	
mm	9 PLC ±	0.10	±0.10	B. MCMASTER	14FEB06	S. SHUHEY	14FEB06	S. SHUHEY	14FEB06	PT CONNECTOR ASSEMBLY, 20 POS, RIGHT ANGLE, 0.8mm PITCH, SFP SFP+	PT CONNECTOR ASSEMBLY, 20 POS, RIGHT ANGLE, 0.8mm PITCH, SFP SFP+
	1 PLC ±	0.10	±0.10							108-1949	108-1949
	2 PLC ±	0.10	±0.10							APPLICATION SPEC	APPLICATION SPEC
	3 PLC ±	0.10	±0.10							114-13017	114-13017
	4 PLC ±	0.10	±0.10							SIZE	SIZE
	5 PLC ±	0.10	±0.10							CAGE CODE	CAGE CODE
	6 PLC ±	0.10	±0.10							DRAWING NO	DRAWING NO
	7 PLC ±	0.10	±0.10							A100779	A100779
	8 PLC ±	0.10	±0.10							C=1888247	C=1888247
	9 PLC ±	0.10	±0.10							SCALE	SCALE
	10 PLC ±	0.10	±0.10							8:1	8:1
	11 PLC ±	0.10	±0.10							SHEET	SHEET
	12 PLC ±	0.10	±0.10							2	2
	13 PLC ±	0.10	±0.10							OF	OF
	14 PLC ±	0.10	±0.10							3	3
	15 PLC ±	0.10	±0.10							REV	REV
	16 PLC ±	0.10	±0.10							J	J

LOC	DIST	REV	DATE	DWN	APVD
ES	00				
REVISIONS					
		DESCRIPTION			
		SEE SHEET 1			



OPTIONAL LAYOUT FOR IMPROVED  
 SIGNAL INTEGRITY, MOUNTING SIDE  
 SCALE 16:1

<small>THIS DRAWING IS UNPUBLISHED. RELEASED FOR PUBLICATION. ALL RIGHTS RESERVED. THIS IS SUBJECT TO CHANGE WITHOUT NOTICE. THE USER SHALL BE RESPONSIBLE FOR VERIFYING THE DIMENSIONS AND TOLERANCES OF THE PARTS AND ASSEMBLIES. CONTACT TYCO ELECTRONICS CORPORATION FOR THE LATEST REVISION.</small>		DWN: B. MCMASTER 14FEB06 CHK: S. SHUHEY 14FEB06 APVD: S. SHUHEY 14FEB06	Tyco Electronics Corporation Shanghai, P.R.China, 200233
DIMENSIONS: mm 		TOLERANCES UNLESS OTHERWISE SPECIFIED: 9 PLC ± 1 PLC ±0.10 3 PLC ± 5 PLC ± 4 PLC ± ANGLES ±	NAME: PT CONNECTOR ASSEMBLY, 20 POS, RIGHT ANGLE, 0.8mm PITCH, SFP SFP+ PRODUCT SPEC: 108-1949 APPLICATION SPEC: 114-13017 WEIGHT: - FINISH: -
MATERIAL: - FINISH: -		SIZE: A100779 CAGE CODE: C=1888247 CUSTOMER DRAWING	RESTRICTED TO: - SCALE: 8:1 SHEET: 3 OF 3 REV: J