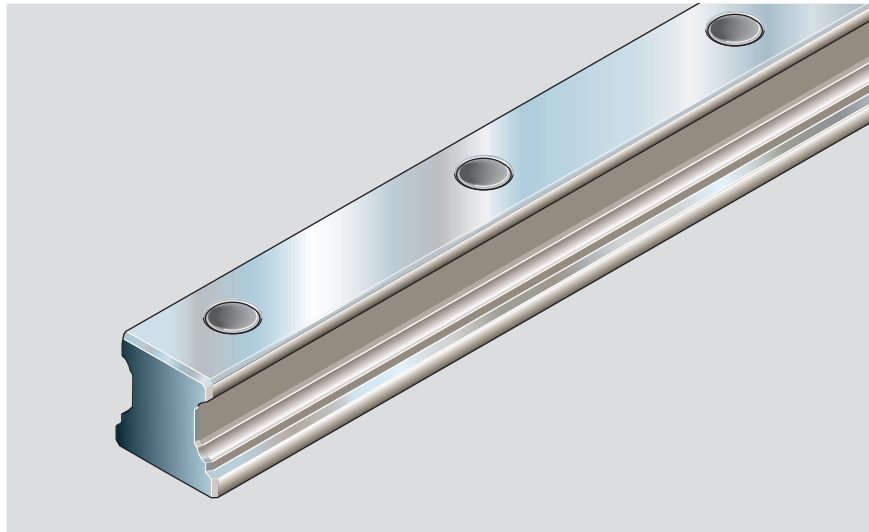


Standard Guide Rails

Guide rails R1605 .0. ..

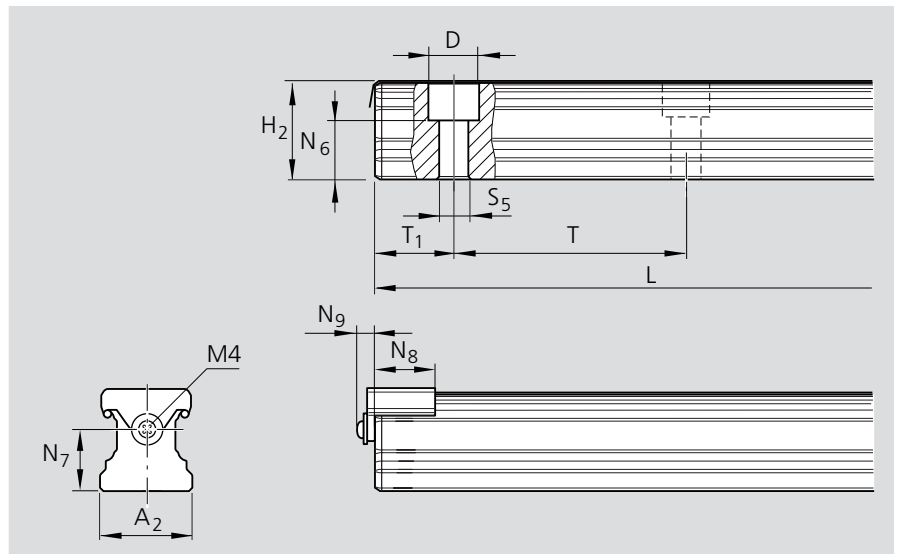
For mounting from above,
with plastic mounting hole plugs
(supplied)



Part numbers and rail lengths

Size	Accuracy class	Guide rail		Spacing T (mm)	Recommended rail length Number of holes n _B / Rail length L (mm)
		one-part Part number, Rail length L (mm)	composite Part number, Number of sections Rail length L (mm)		
15	N	R1605 104 31,.....	R1605 104 3,.....	60	From 2/ 116 to 40/ 2396 per formula L = n_B · T - 4 Additional standard lengths: 2/ 80 2/ 90 2/ 100
	H	R1605 103 31,.....	R1605 103 3,.....		
	P	R1605 102 31,.....	R1605 102 3,.....		
	SP	R1605 101 31,.....	R1605 101 3,.....		
	UP	R1605 109 31,.....	R1605 109 3,.....		
20	N	R1605 804 31,.....	R1605 804 3,.....	60	From 2/ 116 to 55/ 3296 per formula L = n_B · T - 4 Additional standard lengths: 2/ 90 2/ 100 5/ 280 8/460
	H	R1605 803 31,.....	R1605 803 3,.....		
	P	R1605 802 31,.....	R1605 802 3,.....		
	SP	R1605 801 31,.....	R1605 801 3,.....		
	UP	R1605 809 31,.....	R1605 809 3,.....		
25	N	R1605 204 31,.....	R1605 204 3,.....	60	From 2/ 116 to 64/ 3836 per formula L = n_B · T - 4 Additional standard lengths: 2/ 100 5/ 280 6/ 340 7/400 8/460
	H	R1605 203 31,.....	R1605 203 3,.....		
	P	R1605 202 31,.....	R1605 202 3,.....		
	SP	R1605 201 31,.....	R1605 201 3,.....		
	UP	R1605 209 31,.....	R1605 209 3,.....		
30	N	R1605 704 31,.....	R1605 704 3,.....	80	From 2/ 156 to 48/ 3836 per formula L = n_B · T - 4 Additional standard lengths: 6/ 440 7/ 520 8/ 600
	H	R1605 703 31,.....	R1605 703 3,.....		
	P	R1605 702 31,.....	R1605 702 3,.....		
	SP	R1605 701 31,.....	R1605 701 3,.....		
	UP	R1605 709 31,.....	R1605 709 3,.....		
35	N	R1605 304 31,.....	R1605 304 3,.....	80	From 2/ 156 to 48/ 3836 per formula L = n_B · T - 4 Additional standard lengths: 9/ 680 10/ 760 13/ 1000 15/1160 16/1240 17/1320
	H	R1605 303 31,.....	R1605 303 3,.....		
	P	R1605 302 31,.....	R1605 302 3,.....		
	SP	R1605 301 31,.....	R1605 301 3,.....		
	UP	R1605 309 31,.....	R1605 309 3,.....		
45	N	R1605 404 31,.....	R1605 404 3,.....	105	From 4/ 416to 37/ 3881 per formula L = n_B · T - 4 Additional standard lengths: 9/ 885 11/ 1095 12/ 1200
	H	R1605 403 31,.....	R1605 403 3,.....		
	P	R1605 402 31,.....	R1605 402 3,.....		
	SP	R1605 401 31,.....	R1605 401 3,.....		
	UP	R1605 409 31,.....	R1605 409 3,.....		
55	N	R1605 504 31,.....	R1605 504 3,.....	120	From 6/ 716 to 32/ 3836 per formula L = n_B · T - 4 Additional standard lengths: 12/ 1380 13/1500
	H	R1605 503 31,.....	R1605 503 3,.....		
	P	R1605 502 31,.....	R1605 502 3,.....		
	SP	R1605 501 31,.....	R1605 501 3,.....		
	UP	R1605 509 31,.....	R1605 509 3,.....		
65	N	R1605 604 31,.....	R1605 604 3,.....	150	From 8/ 1196 to 25/ 3746 per formula L = n_B · T - 4
	H	R1605 603 31,.....	R1605 603 3,.....		
	P	R1605 602 31,.....	R1605 602 3,.....		
	SP	R1605 601 31,.....	R1605 601 3,.....		
	UP	R1605 609 31,.....	R1605 609 3,.....		

Dimensions and masses



Size	Dimensions (mm)									Mass (kg/m)
	A_2	$H_2^{1)}$	$N_6^{\pm 0.5}$	D	S_5	$T_{15}^{+0.5/-1}{}^{2)}$	$T_{1 \text{ min}}$	T	$L_{\text{max}}{}^{3)}$	
15	15	16.20	10.3	7.4	4.4	28.0	10	60	4000	1.4
20	20	20.55	13.2	9.4	6.0	28.0	10	60	4000	2.4
25	23	24.25	15.2	11.0	7.0	28.0	10	60	4000	3.2
30	28	28.35	17.0	15.0	9.0	38.0	12	80	4000	5.0
35	34	31.85	20.5	15.0	9.0	38.0	12	80	4000	6.8
45	45	39.85	23.5	20.0	14.0	50.5	16	105	4000	10.5
55	53	47.85	29.0	24.0	16.0	58.0	18	120	4000	16.2
65	63	59.85	38.5	26.0	18.0	73.0	20	150	4000	22.4

¹⁾ Dimension H_2 without rail seal cover strip

²⁾ Preferred dimension

³⁾ For sizes 20 – 45, one-piece guide rails up to approx. 6000 mm in length can be supplied in special cases.