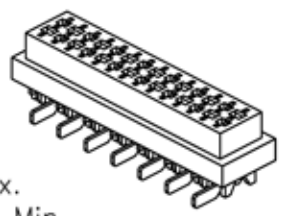
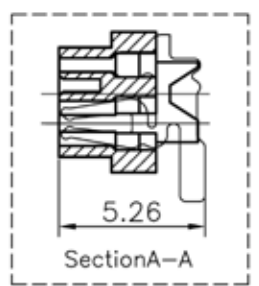
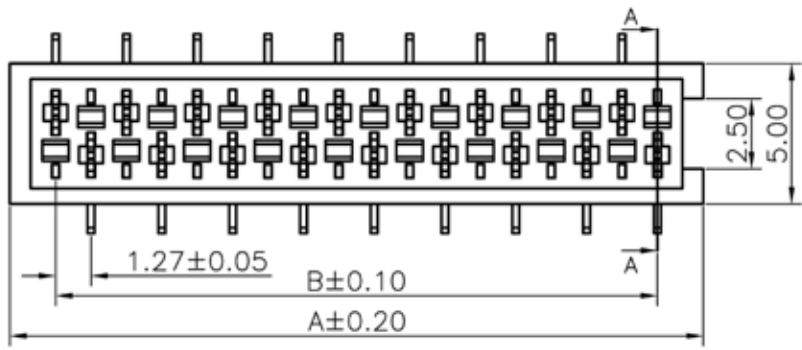


This document is the property of Amphenol Corporation and is delivered on the express condition that it is not to be disclosed, reproduced or used, in whole or in part, for the manufacture or sale by anyone other than Amphenol Corporation without its prior consent, and that no right is granted to disclose or to use any information in this document.



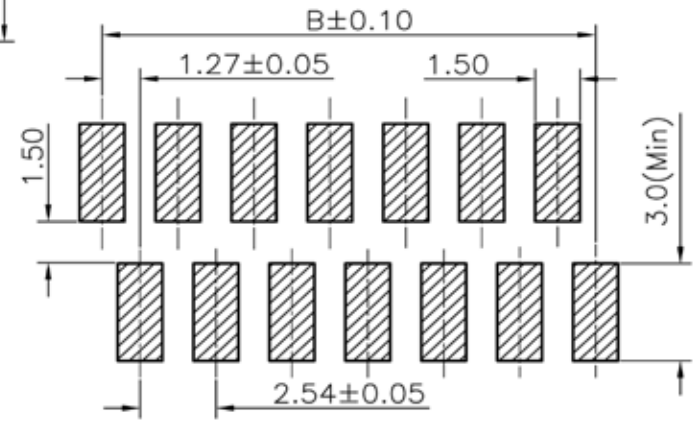
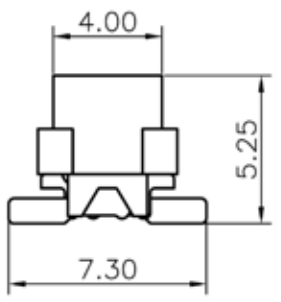
Specifications:

- Current Rating: 1.5A AC/DC
- Voltage Rating: 230V AC/DC
- Contact Resistance: 20m ohm. Max.
- Insulation Resistance: 1000M ohm. Min.
- Withstanding Voltage: 500V AC For One Minute
- Operating Temperature Range: -40°C ~ +105°C
- Material and Finish
- Insulator: High Temp. Plastic (UL94V-0)
- Contact: Phosphor Bronze
- Finish: Tin Plated

How to Order

TMM-X-X-XX-X

- Type**
 - 1-IDC Male
 - 2-IDC Plug
 - 3-DIP Male Straight
 - 4-DIP Female Straight
 - 5-DIP Female R/A
 - 6-SMT Female Straight
- Packaging**
 - 1 - Tape & Reel with vacuum cap
 - 2 - Tube
 - 3 - Bag
 - 4 - Tape & Reel without vacuum cap
- Number of Positions**
04, 06, 08, 10, 12, 14, 16, 18, 20, 22, 24 or 26
- Locking System**
 - 0-without lock
 - L-with lock



Pos	A	B	C	Pos	A	B	C
4	7.00	3.81	5.60	16	22.24	19.05	20.84
6	9.54	6.35	8.14	18	24.78	21.59	23.38
8	12.08	8.89	10.68	20	27.32	24.13	25.92
10	14.62	11.43	13.22	22	29.86	26.67	28.46
12	17.16	13.97	15.76	24	32.40	29.21	31.00
14	19.70	16.51	18.30	26	34.94	31.75	33.54



TOLERANCE (mm)	APPROVALS	DATE	TITLE	AMPHENOL
X. ±0.3	DRAWN Stephane	2009/10/07	TMM Series SMT Female Straight	Amphenol European Design Center
X.X ±0.2	CHECKED Rob	2009/10/07		
X.XX ±0.15	APPROVED Rob	2009/10/07		
UNLESS OTHERWISE SPECIFIED	UNIT: mm		SIZE: A4 DRAWING N° TMM-6-0-XX-X	Scale N.A. Sheet 1 of 1
				REV. E