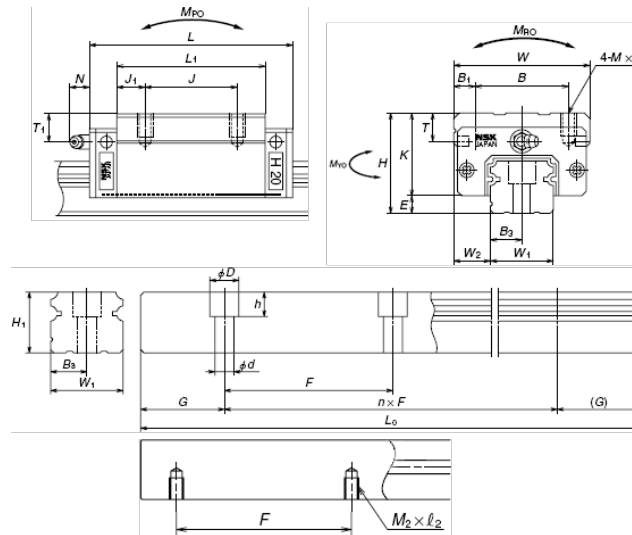


Linear Guides NH AN-BN

AN/BN sliders with light- (Z) or medium (H) preload are standard stock items with prompt delivery

AN: Normal length, high-square type slider with tap holes on top

BN: Long length, high-square type slider with tap holes on top

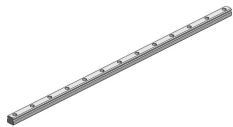


Model-No.

N1H301000LCNPCZ-20-20

Type

Linear Guide NH Series



| | |
|------------------------------------|------|
| Size | 30 |
| Slider type | AN |
| Number of sliders | 1 |
| Lubrication unit K1 | No |
| Double seal | No |
| Metal protector | No |
| Material / Surface treatment | C |
| Length of rail | 1000 |
| Distance to first hole center (G1) | 20 |
| Distance to last hole center (G2) | 20 |
| Accuracy | PC |
| Preload | Z |
| H | - |
| E | - |
| W2 | - |
| W | - |
| B | - |
| J | - |

Created: 2014-12-05 13:36:09

Address:

NSK Europe Ltd
Harkortstrasse 15
D-40880 Ratingen
Germany

Phone:

Fax:

Web:

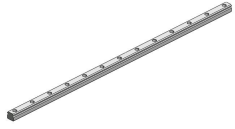
Email:

49 2102 481 0

49 2102 481 2881

<http://www.nskeurope.de>

info-de@nsk.com



| | |
|--------------------|---------|
| L | - |
| L1 | - |
| J1 | - |
| K | - |
| T | - |
| M x l | - |
| Grease fitting | - |
| T1 | - |
| N | - |
| Dynamic C (N) | - |
| Static C0 (N) | - |
| MRO (Nm) | - |
| MPO (Nm) | - |
| MYO (Nm) | - |
| Weight slider (kg) | - |
| W1 | 28 |
| H1 | 26 |
| F | 80 |
| dxDxh | 9x14x12 |
| M2xl2 | M8 x 15 |
| B3 | 14 |
| G (recommended) | 20 |
| Weight rail (kg/m) | 5.2 |