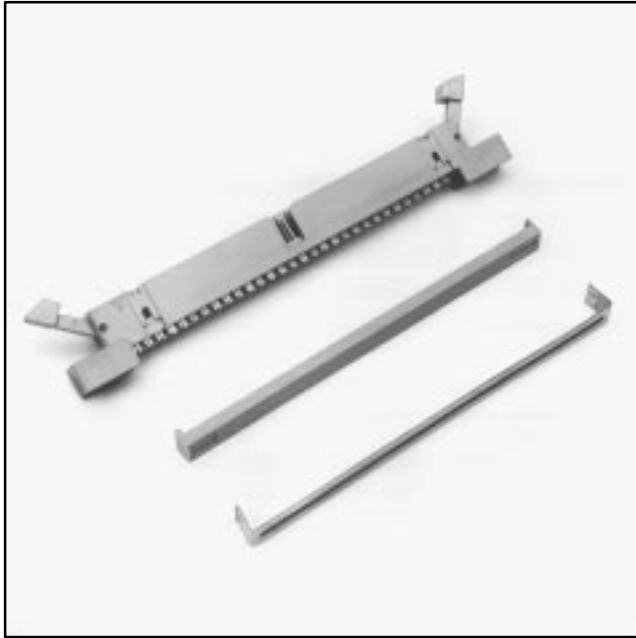


# .100" × .100" Plug

4600 Series



- Shrouded to protect against physical and chemical pin damage
- Open or closed end covers available
- Optional ejector latches
- Accepts flat cable or discrete wire
- Military (with 3518 polarizing key) and centerbump polarization available
- Optional mounting flanges

Date Modified: February 19, 1999

TS-0086-12  
Sheet 1 of 4

36

---

## Physical

### Insulation

Material: Glass Filled Polyester (PBT)  
Flammability: UL 94V-0  
Color: Gray

### Contact

Material: Copper Alloy  
Plating  
Underplate & U-Slot: 100  $\mu$ " (2.54  $\mu$ m) Nickel — QQ-N-290, Class 2  
Wiping Area: 30  $\mu$ " (0.76  $\mu$ m) Gold — MIL-G-45204, Type II, Grade C

**Wire Accommodation:** 26 & 28 AWG Solid or Stranded

**Marking:** 3M Logo, Part Identification Number, and Contact Position Numbers

---

## Electrical

**Current Rating:** 1 A  
**Insulation Resistance:**  $> 1 \times 10^9 \Omega$  at 500 Vdc  
**Withstanding Voltage:** 1000 Vrms at Sea Level

---

## Environmental

**Temperature Rating:**  $-55^\circ\text{C}$  to  $+105^\circ\text{C}$

UL File No.: E68080

---

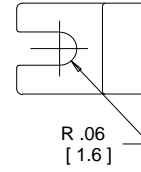
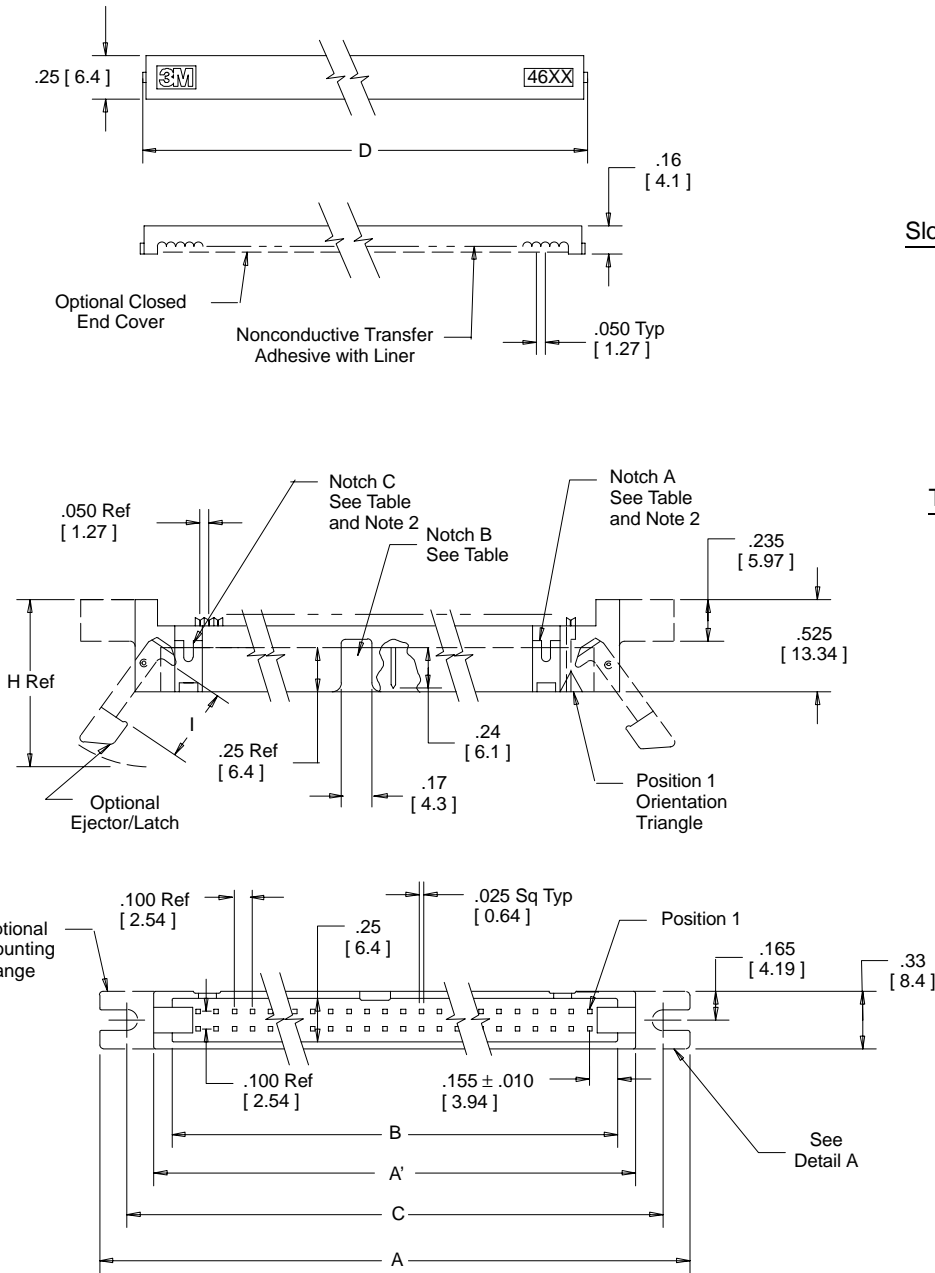
### 3M Interconnect Solutions Division

6801 River Place Blvd.  
Austin, TX 78726-9000

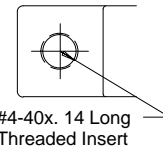
For technical, sales or ordering information call  
**800-225-5373**

# .100" × .100" Plug

4600 Series



**Slotted Mounting Flange**  
46XX-XXX0



**Threaded Mounting Flange**  
46XX-XXX5  
Detail A



**Notes:**

1. Polarization of 10 position product can be either: Center notch: B-4610-XX5X or the Left notch "C"-4610-XX0X.
2. Notches A and C will accommodate 3M Polarization keys (Part Number 3518 or M3518).

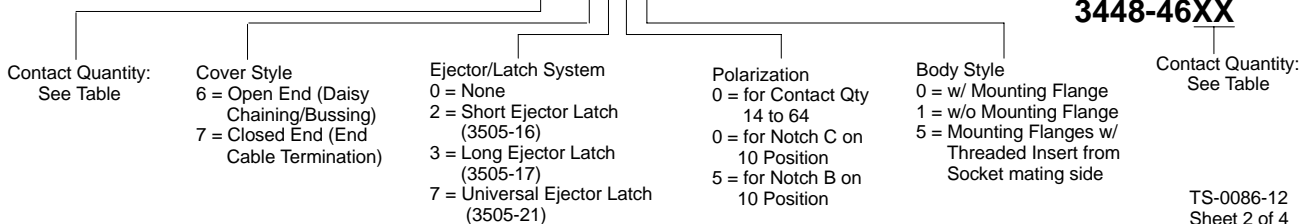
**Inch**  
[mm]

Tolerance Unless Noted			
	.0	.00	.000
Inch	±.1	±.01	±.005

[ ] Dimensions for Reference only

## Ordering Information

### 46XX-XXXX



**Strain Relief**  
(Order Separately)  
**3448-46XX**

TS-0086-12  
Sheet 2 of 4

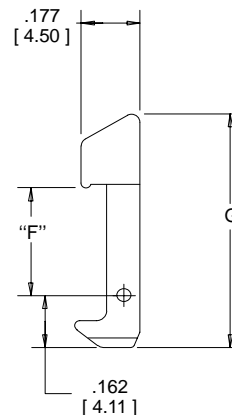
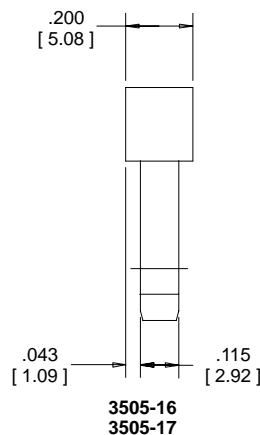
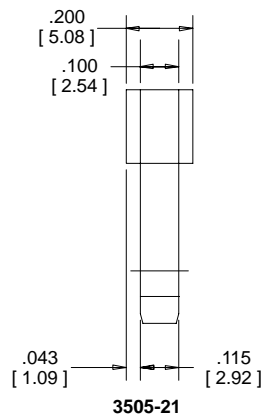
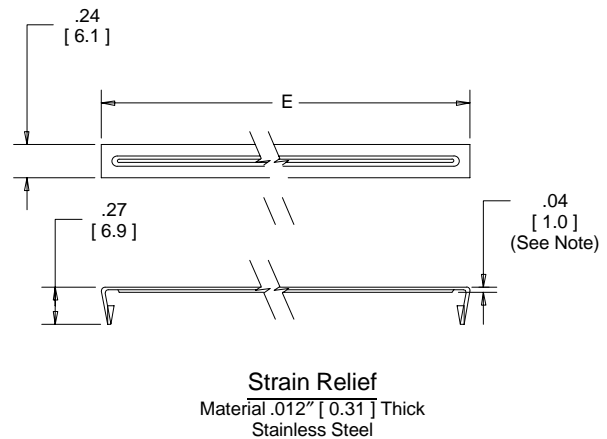
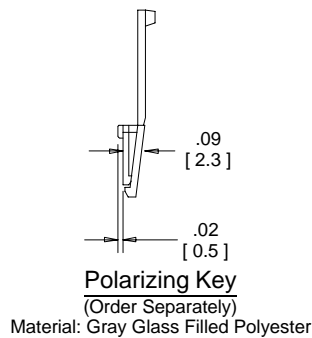
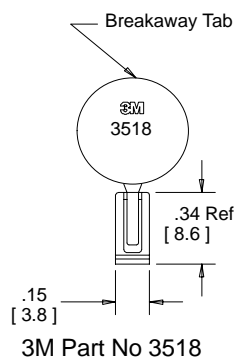
## 3M Interconnect Solutions Division

6801 River Place Blvd.  
Austin, TX 78726-9000

For technical, sales or ordering information call  
**800-225-5373**

Table 1							
Contact Quantity	Dimensions						Polarizing Notches Provided
	A	A'	B	C	D	E	
10	1.50 [ 38.1 ]	0.90 [ 22.9 ]	0.71 [ 18.0 ]	1.20 [ 30.5 ]	0.77 [ 19.6 ]	0.85 [ 21.7 ]	B or C (See Note 1)
14	1.70 [ 43.2 ]	1.10 [ 27.9 ]	0.91 [ 23.1 ]	1.40 [ 35.6 ]	0.97 [ 24.6 ]	1.05 [ 26.8 ]	BC
16	1.80 [ 45.7 ]	1.20 [ 30.5 ]	1.01 [ 25.7 ]	1.50 [ 38.1 ]	1.07 [ 27.2 ]	1.15 [ 29.3 ]	ABC
20	2.00 [ 50.8 ]	1.40 [ 35.5 ]	1.21 [ 30.7 ]	1.70 [ 43.2 ]	1.27 [ 32.3 ]	1.35 [ 34.4 ]	ABC
24	2.20 [ 55.9 ]	1.60 [ 40.6 ]	1.41 [ 35.8 ]	1.90 [ 48.3 ]	1.47 [ 37.3 ]	1.55 [ 39.5 ]	ABC
26	2.30 [ 58.4 ]	1.70 [ 43.2 ]	1.51 [ 38.4 ]	2.00 [ 50.8 ]	1.57 [ 39.9 ]	1.65 [ 42.0 ]	ABC
30	2.50 [ 63.5 ]	1.90 [ 48.3 ]	1.71 [ 43.4 ]	2.20 [ 55.9 ]	1.77 [ 45.0 ]	1.85 [ 47.1 ]	ABC
34	2.70 [ 68.6 ]	2.10 [ 53.3 ]	1.91 [ 48.5 ]	2.40 [ 61.0 ]	1.97 [ 50.0 ]	2.05 [ 52.2 ]	ABC
36	2.80 [ 71.1 ]	2.20 [ 55.9 ]	2.01 [ 51.1 ]	2.50 [ 63.5 ]	2.07 [ 52.6 ]	2.15 [ 54.7 ]	ABC
40	3.00 [ 76.2 ]	2.40 [ 61.0 ]	2.21 [ 56.1 ]	2.70 [ 68.6 ]	2.27 [ 57.7 ]	2.35 [ 59.8 ]	ABC
50	3.50 [ 88.9 ]	2.90 [ 73.7 ]	2.71 [ 68.8 ]	3.20 [ 81.3 ]	2.77 [ 70.4 ]	2.85 [ 72.5 ]	ABC
60	4.00 [ 101.6 ]	3.40 [ 86.4 ]	3.21 [ 81.5 ]	3.70 [ 94.0 ]	3.27 [ 83.1 ]	3.35 [ 85.1 ]	ABC
64	4.20 [ 106.7 ]	3.60 [ 91.4 ]	3.41 [ 86.6 ]	3.90 [ 99.1 ]	3.47 [ 88.1 ]	3.55 [ 90.2 ]	ABC

Table 2					
Ejector/Latch Option	Part Number	Dimensions			
		F	G	H	I
Short	3505-16	.335 [ 8.51 ]	.726 [ 18.44 ]	0.92 [ 23.4 ]	.41 [ 10.4 ]
Long	3505-17	.484 [ 12.29 ]	.875 [ 22.23 ]	1.07 [ 27.2 ]	.56 [ 14.2 ]
Universal	3505-21	.484 [ 12.29 ]	.809 [ 20.55 ]	1.01 [ 25.65 ]	.56 [ 14.2 ]



**Ejector/Latch**  
Material: Gray Glass Filled Polyester

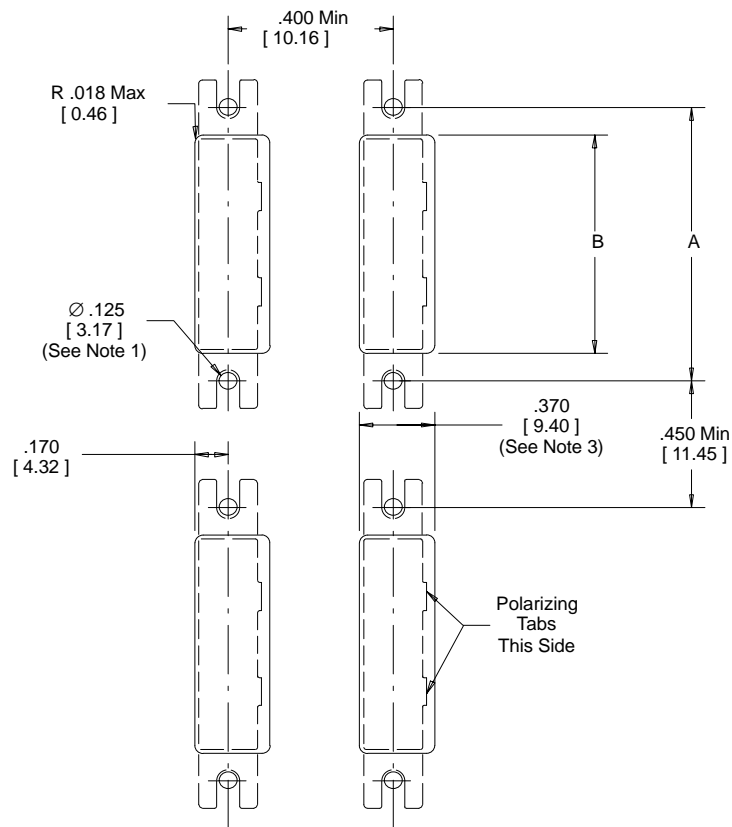
Note:  
The distance from the strain relief to the connector is equal to .04 [ 1.0 ] plus the cable thickness.

TS-0086-12  
Sheet 3 of 4

# .100" × .100" Plug

4600 Series

Table 3			
Contact Quantity	3M Part Number Series	Dimension A	Dimension B
10	4610	1.200 [ 30.48 ]	0.945 [ 24.00 ]
14	4614	1.400 [ 35.56 ]	1.145 [ 29.08 ]
16	4616	1.500 [ 38.10 ]	1.245 [ 31.62 ]
20	4620	1.700 [ 43.18 ]	1.445 [ 36.70 ]
24	4624	1.900 [ 48.26 ]	1.645 [ 41.78 ]
26	4626	2.000 [ 50.80 ]	1.745 [ 44.32 ]
30	4630	2.200 [ 55.88 ]	1.945 [ 49.40 ]
34	4634	2.400 [ 60.96 ]	2.145 [ 54.48 ]
36	4636	2.500 [ 63.50 ]	2.245 [ 57.02 ]
40	4640	2.700 [ 68.58 ]	2.445 [ 62.10 ]
50	4650	3.200 [ 81.28 ]	2.945 [ 74.80 ]
60	4660	3.700 [ 93.98 ]	3.445 [ 87.50 ]
64	4664	3.900 [ 99.06 ]	3.645 [ 92.58 ]



Rear Mount Panel Cutout

Notes:

1. Accepts #4 pan head machine screw.
2. For a rear mount plug connector with Ejector/Latches the recommended maximum panel thickness is .125 [ 3.16 ].
3. Without polarizing tabs .340 [ 8.64 ].

TS-0086-12  
Sheet 4 of 4

**3M Interconnect Solutions Division**

6801 River Place Blvd.  
Austin, TX 78726-9000

For technical, sales or ordering information call  
**800-225-5373**