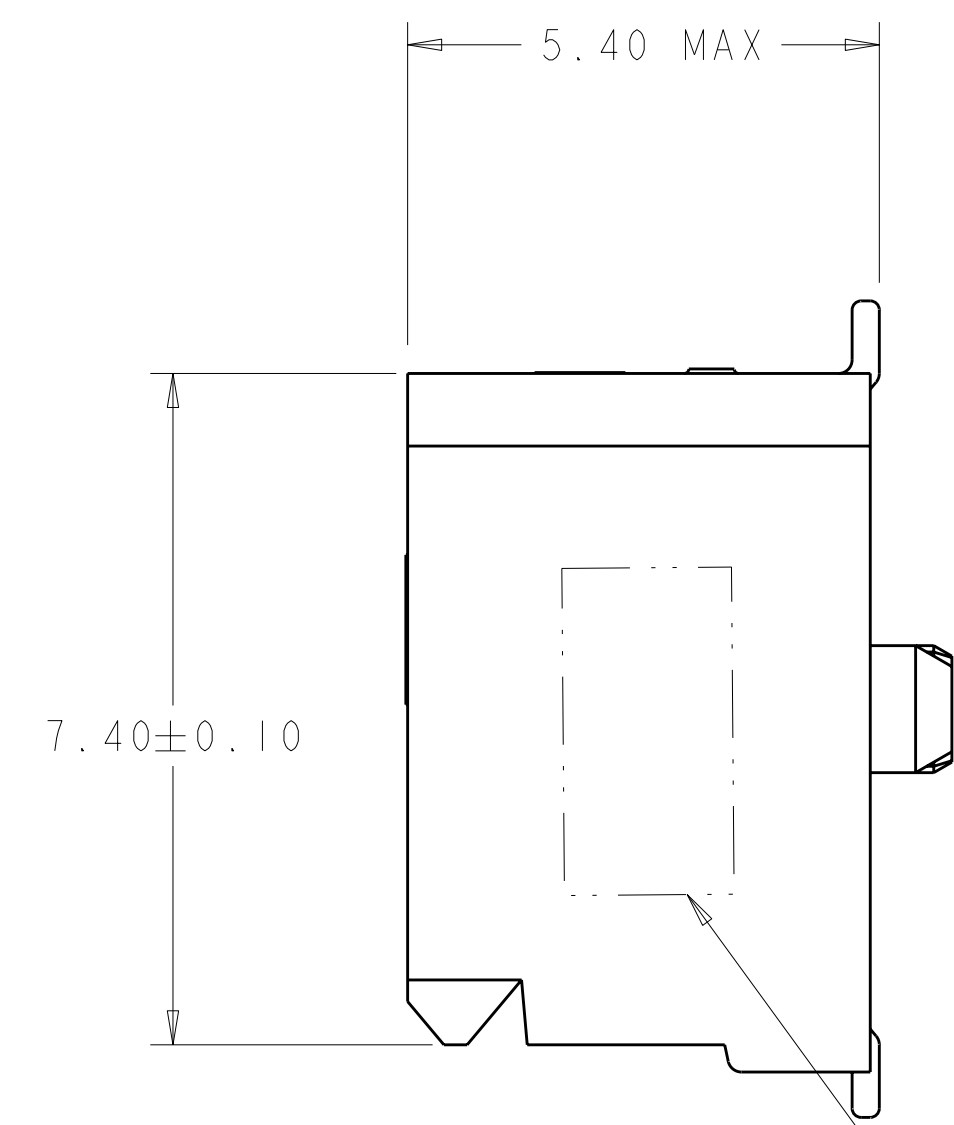
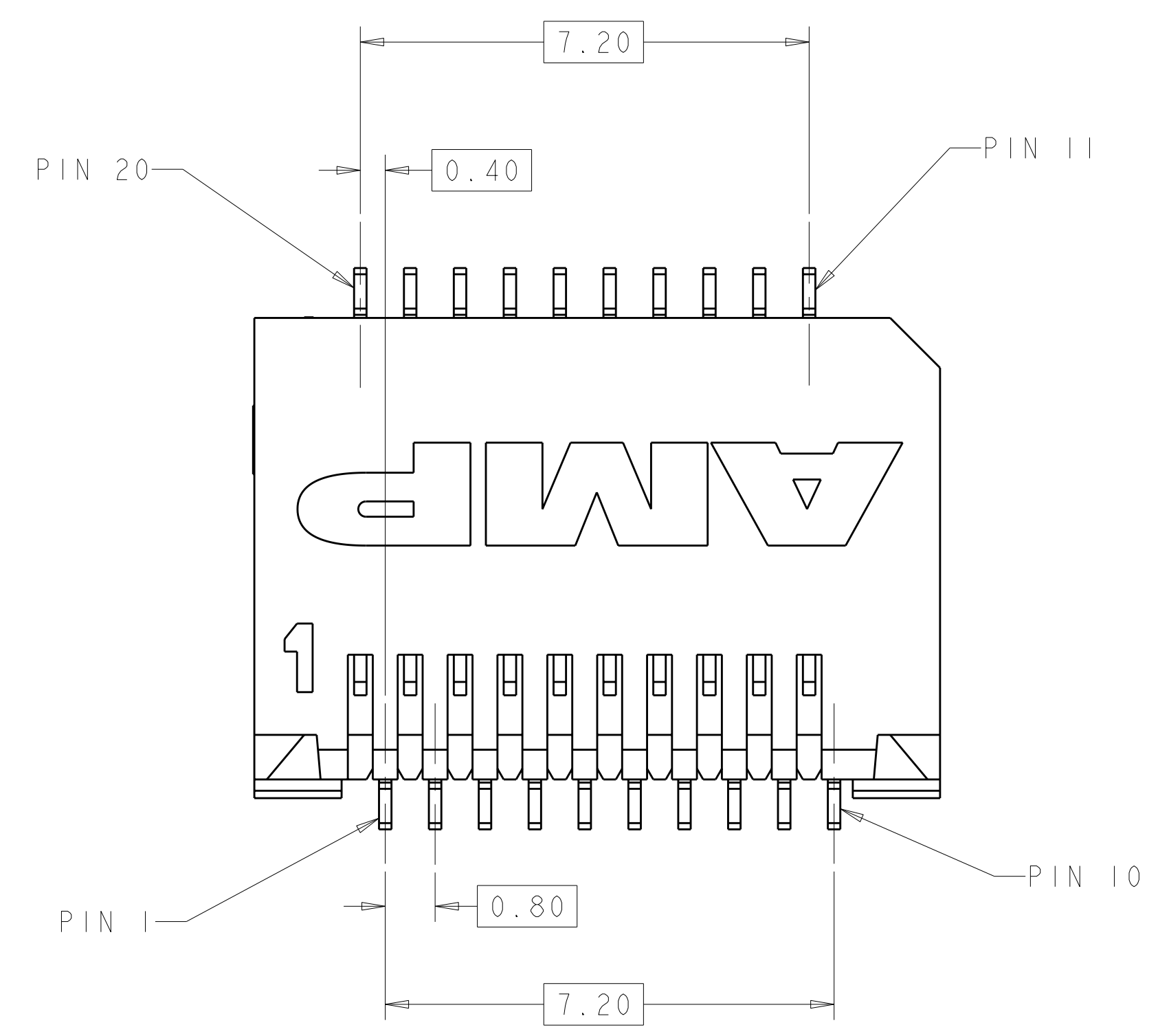
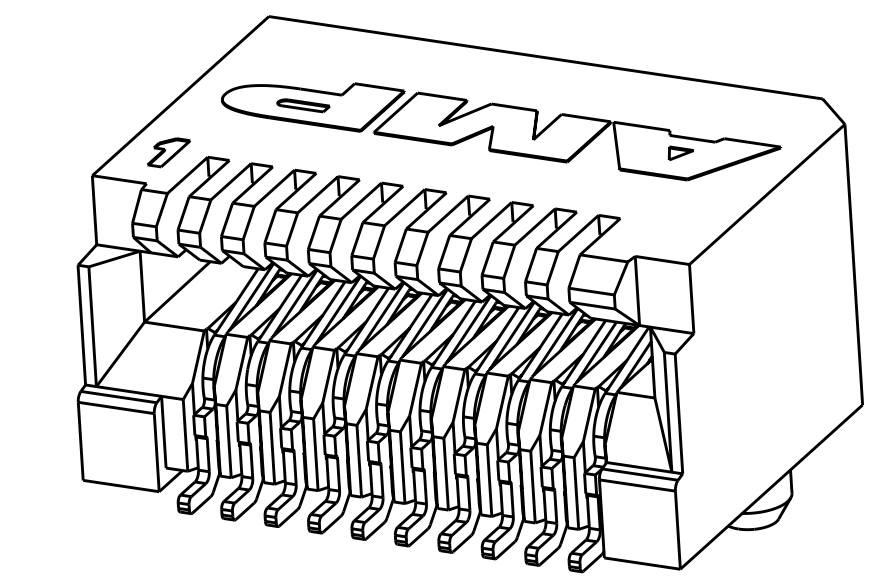


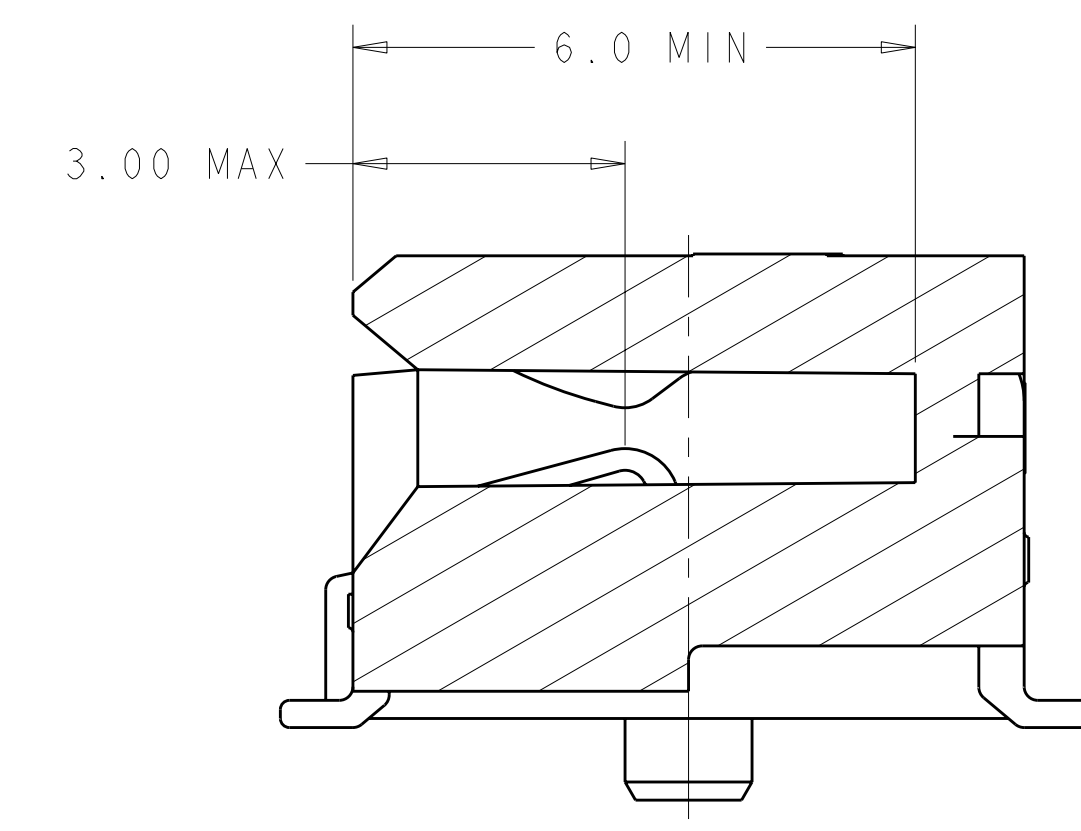
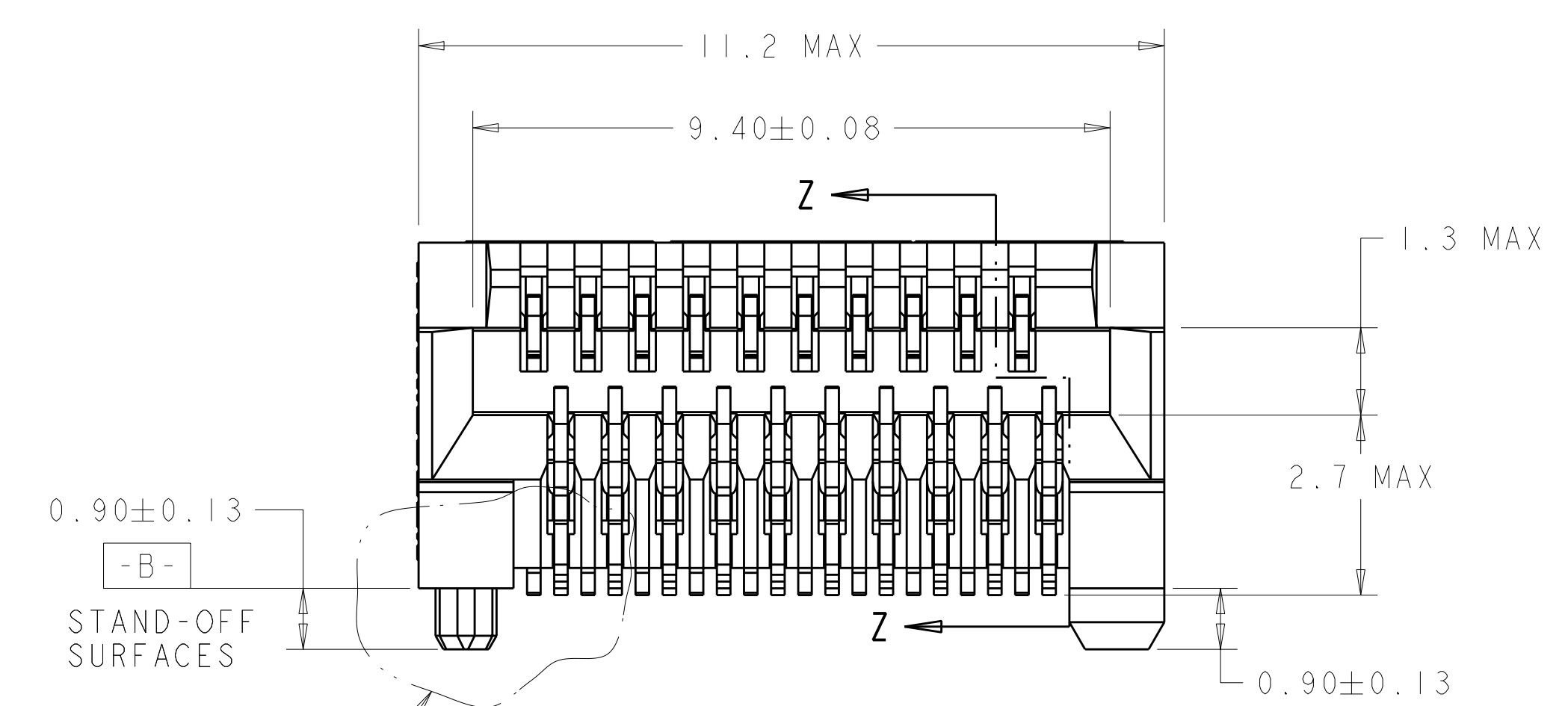
LOC	DIST	REV	DATE	BY	APPD
ES	00				
REVISIONS					
E		REVISED PER EC 0513-0220-05	22FEB06	BM	SS
F		REVISED PER ECR-06-004909	28FEB06	BM	SS
H		REVISED PER ECR-07-025522	25OCT07	LL	SY
J		REVISED PER ECR-09-015300	20JUL2009	AL	SY



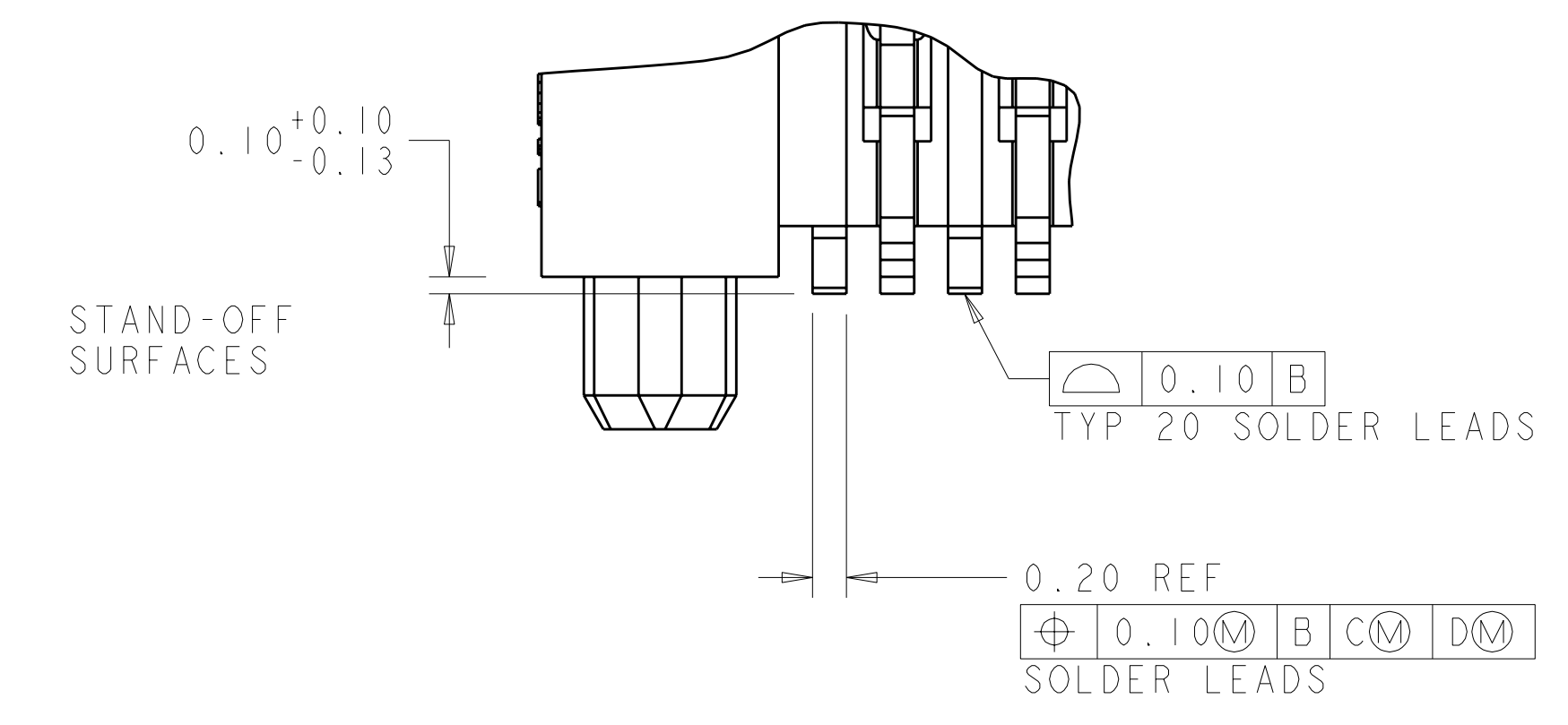
- PART COMPATABLE WITH SFP MSA. REFER TO THE SFP MSA FOR DIMENSIONS NOT SHOWN ON THIS PRINT.
- HOUSING: HIGH TEMPERATURE LCP, UL 94V-0 RATED, BLACK. CONTACT: PHOSPHOR BRONZE.
- CONTACTS: 0.00038 MIN GOLD IN CONTACT AREA, 0.00013 MIN GOLD ON SOLDER AREA, OVER 0.0038 MIN NICKEL UNDERPLATE ON ENTIRE CONTACT.
- PACKAGED 480 PIECES PER REEL.
- DATUMS AND BASIC DIMENSIONS TO BE ESTABLISHED BY CUSTOMER, SEE DRAWING 1367034 FOR LAYOUT WHEN USED WITH 1367034-1 BOTTOM CAGE (STANDARD SFP APPLICATION).
- CONTACTS: 0.00076 MIN GOLD IN CONTACT AREA, 0.00013 MIN GOLD ON SOLDER AREA, OVER 0.0038 MIN NICKEL UNDERPLATE ON ENTIRE CONTACT.



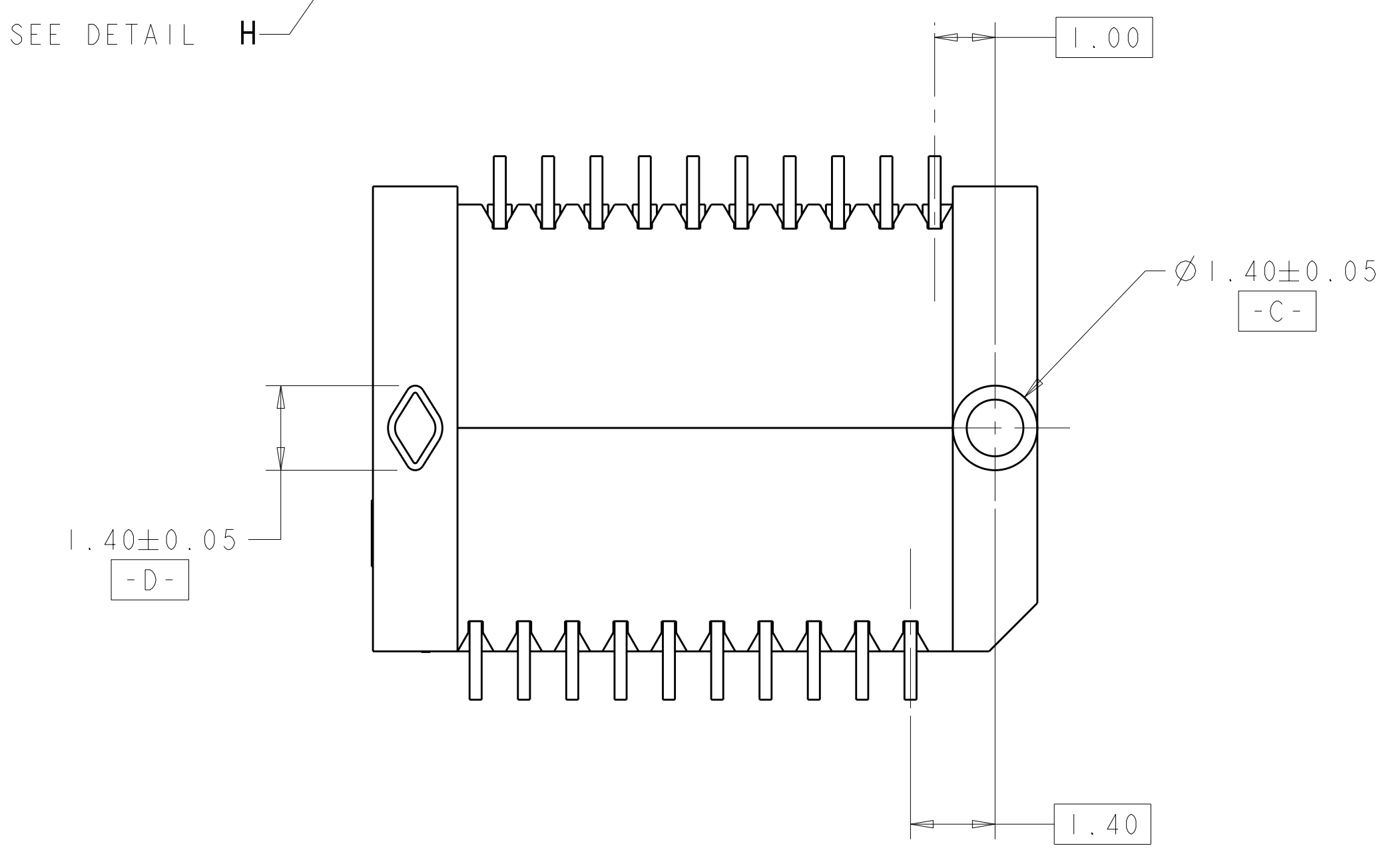
SCALE 8:1



SECTION Z-Z



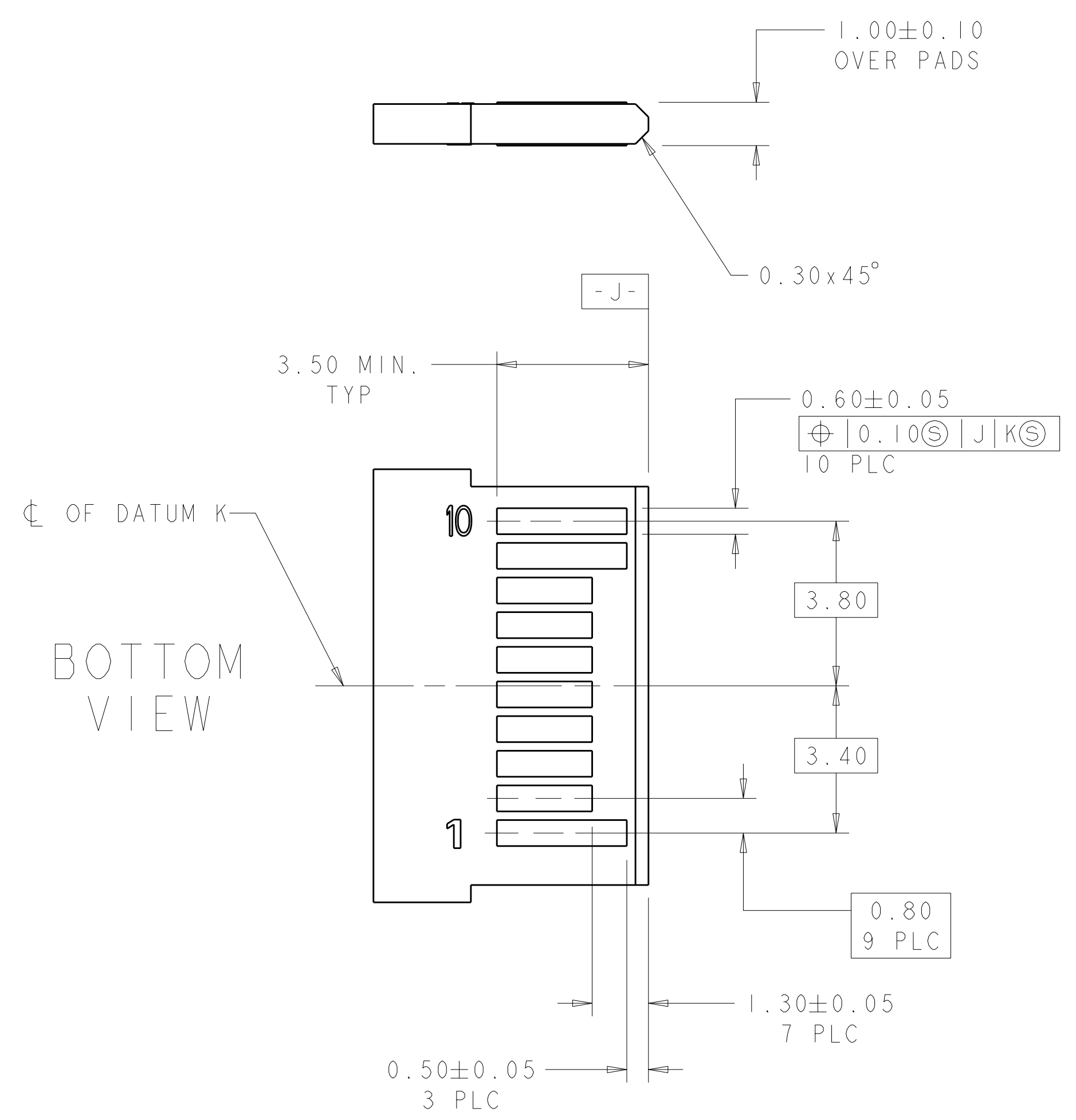
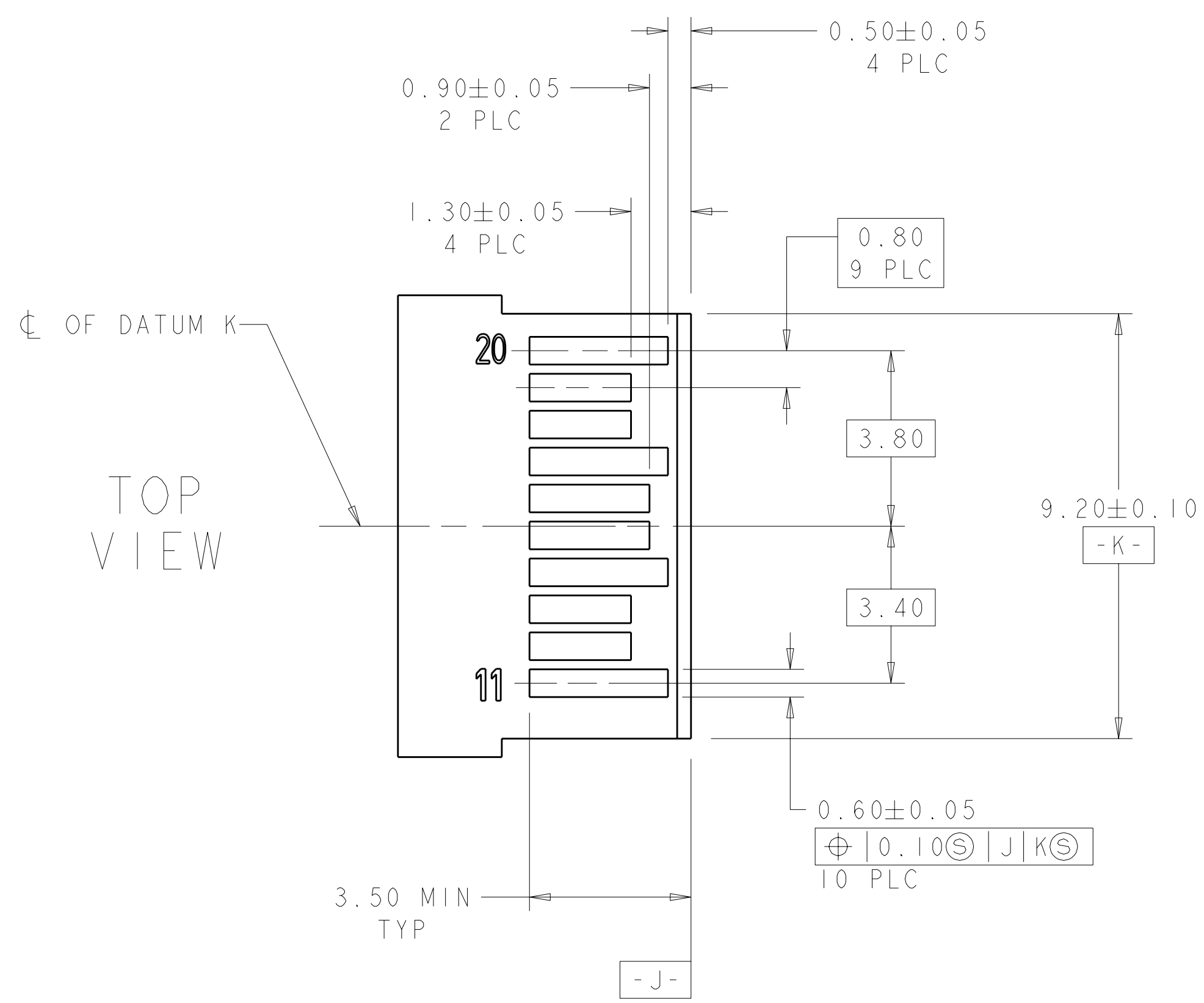
DETAIL H
SCALE 25:1



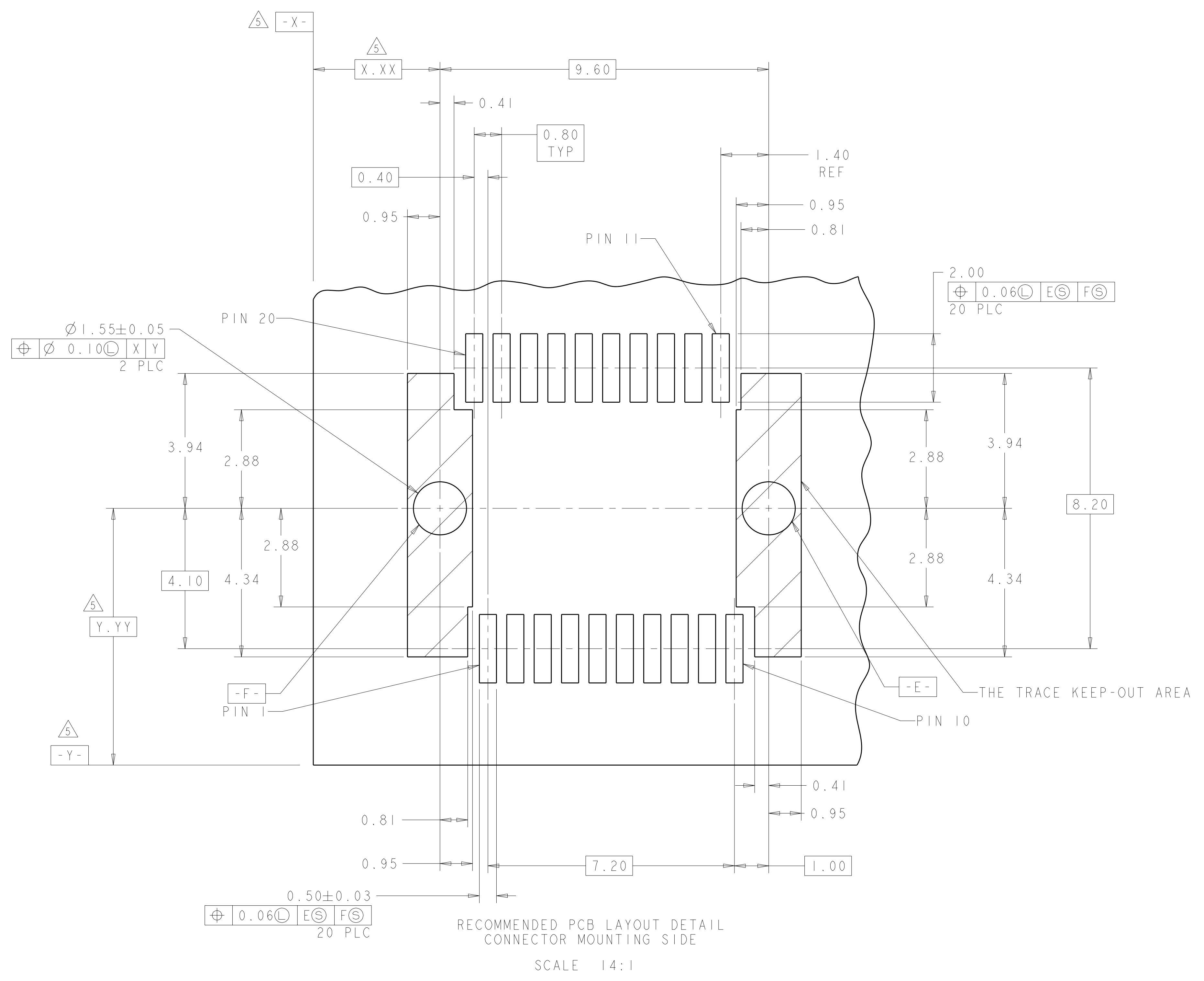
YES	6	1367073-4
YES	3	1367073-3
NO	6	1367073-2
NO	3	1367073-1
DATE CODE	FINISH	PART NUMBER

DIMENSIONS: mm TOLERANCES UNLESS OTHERWISE SPECIFIED: 0 PLC ± 1 PLC ±0.10 2 PLC ± 3 PLC ± 4 PLC ± ANGLES ± FINISH SEE TABLE		DWN P. KERLIN 01MAR2000 CHK E. BRIGHT 01MAR2000 APVD E. BRIGHT 01MAR2000 PRODUCT SPEC 108-1949 APPLICATION SPEC 114-13017 WEIGHT - CUSTOMER DRAWING	Tyco Electronics Corporation Shanghai, P.R.China, 200233 NAME PT CONNECTOR ASSEMBLY, 20 POSITION, SFP, RTANG, 0.8MM SIZE CAGE CODE DRAWING NO. RESTRICTED TO A100779C=1367073 SCALE 12:1 SHEET 1 OF 2 REV J
---	--	---	--

LOC	DIST	REV	DATE	BY	APPD
ES	00				
REVISIONS					
		DESCRIPTION			
		SEE SHEET 1			



RECOMMENDED LAYOUT DETAIL
 MATING TRANSCEIVER PCB
 SCALE 10:1



RECOMMENDED PCB LAYOUT DETAIL
 CONNECTOR MOUNTING SIDE
 SCALE 14:1

DIMENSIONS: mm 		TOLERANCES UNLESS OTHERWISE SPECIFIED: 9 PLC ± 5 PLC ±0.10 4 PLC ± ANGLES ±		DWN P. KERLIN 01MAR2000 CHK E. BRIGHT 01MAR2000 APVD F. BRIGHT 01MAR2000		Tyco Electronics Corporation Shanghai, P.R.China.200233	
MATERIAL: - FINISH: -		WEIGHT: -		NAME: PT CONNECTOR ASSEMBLY, 20 POSITION, SFP, RTANG, 0.8MM PRODUCT SPEC: 108-1949 APPLICATION SPEC: 114-13017		SIZE: A100779 CAGE CODE: C=1367073 DRAWING NO: 114-13017	
CUSTOMER DRAWING				SCALE: 12:1		SHEET: 2 OF 2 REV: J	