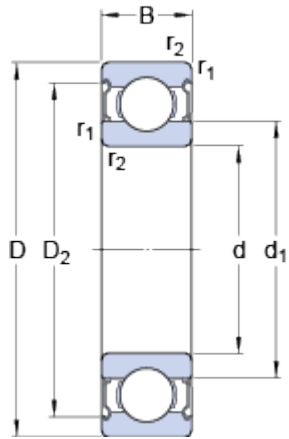


6213-2Z

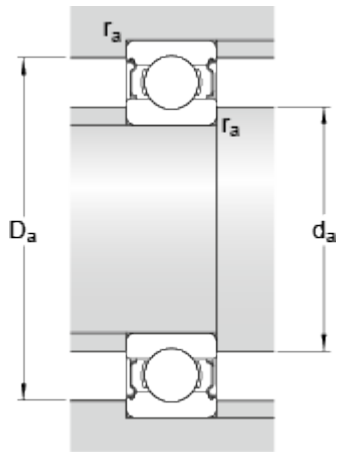
SKF Explorer

Dimensions



d		65	mm
D		120	mm
B		23	mm
d_1	≈	83.3	mm
D_2	≈	105.8	mm
$r_{1,2}$	min.	1.5	mm

Abutment dimensions



d_a	min.	74	mm
d_a	max.	83.2	mm
D_a	max.	111	mm
r_a	max.	1.5	mm

Calculation data

Basic dynamic load rating	C	58.5	kN
Basic static load rating	C_0	40.5	kN
Fatigue load limit	P_u	1.7	kN
Reference speed		12000	r/min
Limiting speed		6000	r/min
Calculation factor	k_r	0.025	
Calculation factor	f_0	14.7	

Mass

Mass bearing		1.058	kg
--------------	--	-------	----