

Product **Polzahl: 3, Flanschdose, löten**  
 Area **Snap-in IP40 Series 709/719**  
 Article number **09 9750 30 03**

Illustration	Scale drawing	Contact Arrangement												
		<table border="1" style="margin-left: 20px;"> <thead> <tr> <th></th> <th>X</th> <th>Y</th> </tr> </thead> <tbody> <tr> <td>1</td> <td>-1,20</td> <td>-0,70</td> </tr> <tr> <td>2</td> <td>0,00</td> <td>1,40</td> </tr> <tr> <td>3</td> <td>1,20</td> <td>-0,70</td> </tr> </tbody> </table>		X	Y	1	-1,20	-0,70	2	0,00	1,40	3	1,20	-0,70
	X	Y												
1	-1,20	-0,70												
2	0,00	1,40												
3	1,20	-0,70												

**You can find the item description and assembly instruction on the next page.**

## Technical data

### Common values

Connector Design	Female panel mount connector
Connector locking system	Snap
Termination	Solder
Wire gauge (mm)	0.25 mm <sup>2</sup>
Wire gauge (AWG)	24
Cable outlet	-
Upper temperature	70 °C
Lower temperature	-25 °C

### Cable data

material housing	-
Insulation single lead	-
Single lead structure	-
Conductor resistance	-

### Electrical values

Rated voltage	60 V
Rated impulse voltage	800 V
Pollution degree	1
Overvoltage category	II
Material group	III
Rated current (40°C)	3 A
Volume resistivity	≤ 3 mΩ
EMV compliance	not shieldable
Degree of protection	IP40
Mechanical operation	> 100 mating cycles

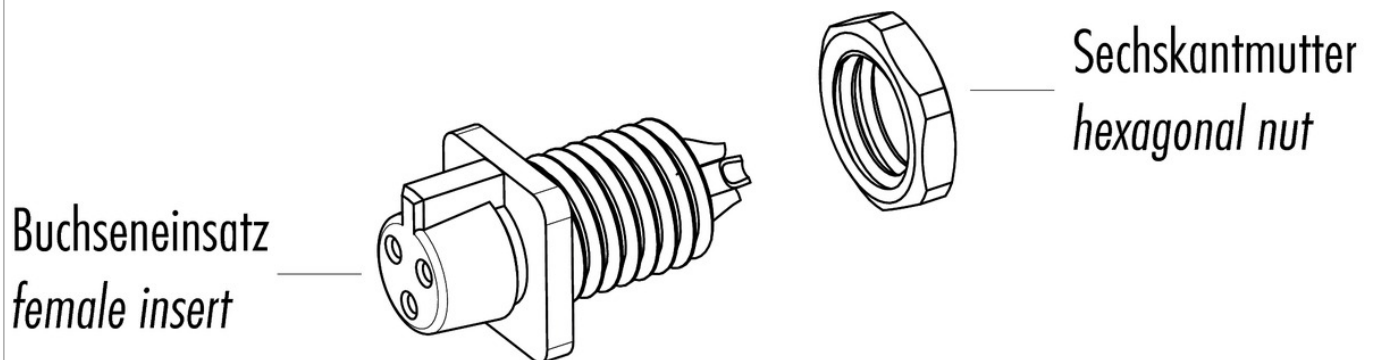
### Material

Material of contact	CuSn (Bronze)
Contact plating	Au (Gold)
Material of contact body	PA
Material of housing	PA

Product **Polzahl: 3, Flanschdose, löten**

Area **Snap-in IP40 Series 709/719**  
Article number **09 9750 30 03**

Item description



Installation instructions / Mounting cutout

