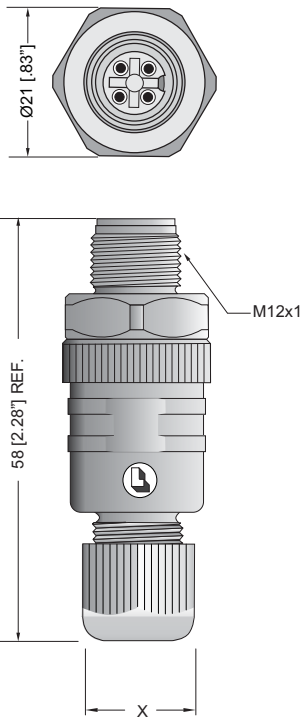


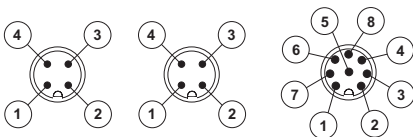
RSCN...

MICRO (M12) Field Attachable

4, 5, and 8 Pole, Male with Stainless Steel Coupling Nut



Pin Assignments



Technical Data

Material

Housing	Polyamid, Black
Coupling Nut	Stainless Steel
Contacts	Brass, tin plated
Insert	Polyamid, Black

Electrical

Current Rating	4A
Voltage Rating	
4 pole	250 V
5 pole	60 VAC / 75VDC
8 pole	30 VAC / 36VDC

Mechanical

Temperature	-25°C to +90°C
Protection	IP 67

Cable Specifications

Termination Type	Screw termination
Maximum Wire Size	18 AWG (0.75mm ²)
Cable Size	See Table

Certifications



Features & Benefits

- 316LV4A stainless steel coupling nut
- PA insert and connector housing
- IP 67 rated
- Easy assembly with screw terminals
- Max conductor size 18 AWG
- Cable diameter 3 - 8 mm depending on connector type

Part Number	Cable Diameter	Dimension "X"
RSCN 4/7	3.0 - 6.5mm	15 [.59"]
RSCN 4/9	4.0 - 8.0mm	19 [.75"]
RSCN 5/7	3.0 - 6.5mm	15 [.59"]
RSCN 5/9	4.0 - 8.0mm	19 [.75"]
RSCN 8/7	3.0 - 6.5mm	15 [.59"]
RSCN 8/9	4.0 - 8.0mm	19 [.75"]