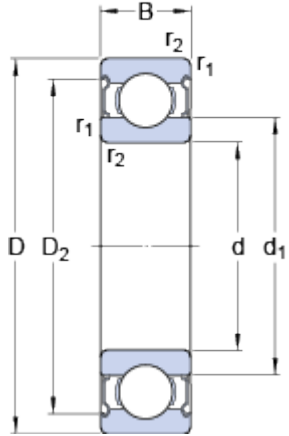


6006-2Z

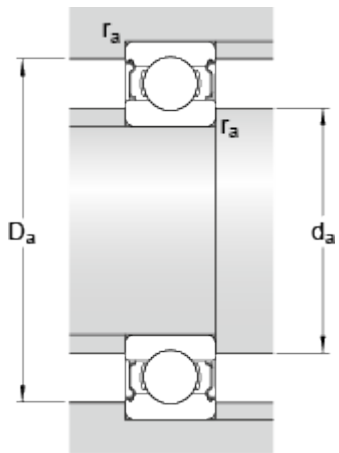
SKF Explorer

Dimensions



d	30	mm
D	55	mm
B	13	mm
d ₁	38.2	mm
D ₂	49	mm
r _{1,2} min.	1	mm

Abutment dimensions



d _a min.	34.6	mm
d _a max.	38.1	mm
D _a max.	50.4	mm
r _a max.	1	mm

Calculation data

Basic dynamic load rating	C	13.8	kN
Basic static load rating	C ₀	8.3	kN
Fatigue load limit	P _u	0.355	kN
Reference speed		28000	r/min
Limiting speed		14000	r/min
Calculation factor	k _r	0.025	
Calculation factor	f ₀	15	

Mass

