

* displayed assembling position not possible for WS-10

DryLin® W guide rails – Round

Part No.	Weight [kg/m]	H ±0,07 [mm]	da -0,1 [mm]	di [mm]	L Max. [mm]	a -0,3 [mm]	h [mm]	h1 [mm]	h2 [mm]	G1 [mm]	G2 [mm]	A1 [mm]	Q1 [mm]	Q2 [mm]
WS-10	0,62	18	10	–	4000	27	5,5	5,5**	9	27	17	16,5	–	–
WS-16	0,98	27	16	8,0	4000	27	7,5	3,5	14	33	19	25	32	28
WS-20	1,32	36	20	10,2	4000	27	9,5	4,5	20	38	21	30	37	37

Part No.	C4 [mm]	C5 Min. [mm]	C5 Max. [mm]	C6 Min. [mm]	C6 Max. [mm]	K1 for Screw DIN 912	ly [mm ²]	lz [mm ²]	Wby [mm ²]	Wbz [mm ²]
WS-10	120	20	79,5	20	79,5	M6**	19000	2850	1000	310
WS-16	120	20	79,5	20	79,5	M8	36000	12900	1800	940
WS-20	120	20	79,5	20	79,5	M8	57100	35000	2700	1900

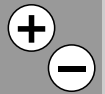
* Standard bore pattern symmetrical: C5 = C6; please order C5 ≠ C6 with drawing

** Trough hole

DryLin® W housing bearings – Round

Part No.	Floating bearing play	Floating bearing direction	Weight ±0,07 [g]	B [mm]	C1 [mm]	C3 [mm]	A3 [mm]	K2 [mm]	K3 [mm]	Stat. Load Capac.		
										Coy [N]	Coz+ [N]	Coz- [N]
WJ200UM-01-10***	–	–	41	26	29	16	6,5	M6	M5	1200	1200	250
WJ200UM-01-10 LL	± 0,2	–	41	26	29	16	6,5	M6	M5	1200	1200	250
WJ200UM-01-16	–	–	100	34,5	36	18	9	M8	M6	2100	2100	400
WJ200UM-01-20***	–	–	190	42,5	45	27	9	M8	M6	3200	3200	500
WJ200UM-01-20 LL	± 0,25	–	190	42,5	45	27	9	M8	M6	3200	3200	500

*** Also available as stainless steel version. More on ► Page 3.50

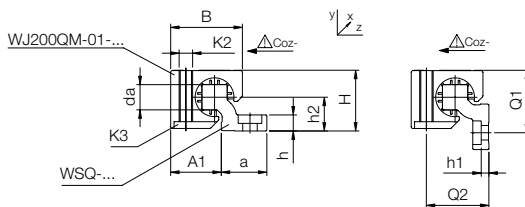
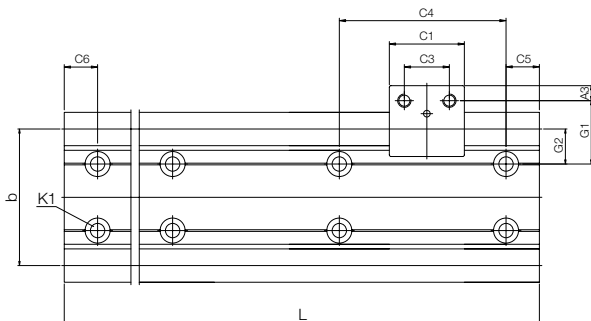




iglus® DryLin® W | Double Rail and Housing Bearing

4 Dimensions Ø: 6, 10, 16, 20 mm

DryLin® W



Form □: WSQ-06-30, WJ200QM-01-06

Displayed assembling position not possible for WS-10-40 and WS-10-80

DryLin® W guide rails

Part No.	Type	Weight [kg/m]	H ±0,07 [mm]	da -0,1 [mm]	di	L max. [mm]	a -0,3 [mm]	b [mm]	h [mm]	h1 [mm]	h2 [mm]	G1 [mm]	G2 [mm]	a1*
WSQ-06-30	□	0,45	14	5	-	3000	27	30	4	4	7,5	22,5	15	-
WS-10-40	○	1,00	18	10	-	4000	40	40	5,5	5,5**	9	30	20	-
WS-10-80	○	1,50	18	10	-	4000	74	74	5,5	5,5**	9	27	17	40
WS-16-60	○	1,96	27	16	8,0	4000	54	58	7,5	3,5	14	43	29	-
WS-20-80	○	3,30	36	20	10,2	4000	74	82	9,5	4,5	20	38	21	40

* WS-10-40 and WS-16-60 a have a single row of mounting holes down the centreline

** WS-10-80 and WS-20-80 have two parallel rows of mounting holes

Part No.	Type	C4	C5 Min.	C5 Max.	C6 Min.	C6 Max.	K1 for Screw DIN 912	ly	lz	Wby	Wbz
		[mm]	[mm]	[mm]	[mm]	[mm]		[mm²]	[mm²]	[mm²]	[mm²]
WSQ-06-30	□	60	20	49,5	20	49,5	M5***	19000	1250	1100	200
WS-10-40	○	120	20	79,5	20	79,5	M6***	91000	5100	3600	590
WS-10-80	○	120	20	79,5	20	79,5	M6***	388000	6100	9200	650
WS-16-60	○	120	20	79,5	20	79,5	M8	367600	26100	9900	1900
WS-20-80	○	120	20	79,5	20	79,5	M8	1080000	78700	21000	4000

* Standard bore pattern symmetrical: C5 = C6; please order C5 ≠ C6 with drawing; *** Through bore

DryLin® W housing bearings

Part No.	Type	Floating bearing play	Floating bearing direction	Weight ±0,07 [g]	B [mm]	C1 [mm]	C3 [mm]	A3 [mm]	K2 [mm]	K3 [mm]	Stat. Load Capac.		
											Coy [N]	Coz+ [N]	Coz- [N]
WJ200QM-01-06	□	-	-	16	18	19	10	4,5	M4	M3	420	420	140
WJ200UM-01-10****	○	-	-	41	26	29	16	6,5	M6	M5	1200	1200	250
WJ200UM-01-16	○	-	-	100	34,5	36	18	9	M8	M6	2100	2100	400
WJ200UM-01-20****	○	-	-	190	42,5	45	27	9	M8	M6	3200	3200	500

**** Also available as stainless steel version. More on ► Page 3.50

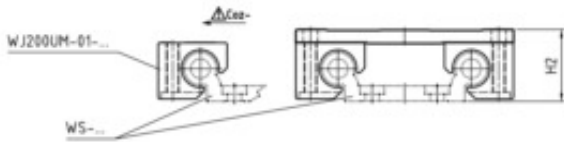
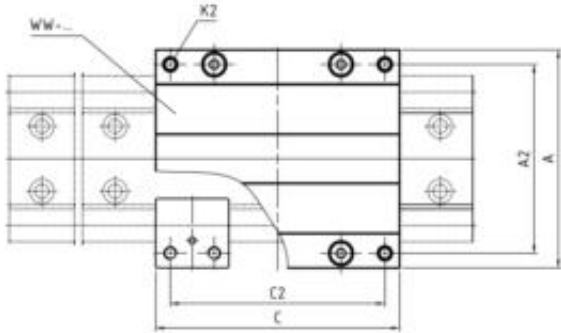
Phone: +49 (0) 22 03-96 49-145
Fax: +49 (0) 22 03-96 49-334

iglus® GmbH
51147 Cologne

Internet: www.igus.de
E-mail: info@igus.de

DryLin® W | Guide Slides | fitted

3 Dimensions Ø: 10, 16, 20 mm



DryLin® W guide slides, fitted

Part No.	Suitable Rail	Weight [kg]	A [mm]	C [mm]	A2 [mm]	C2 [mm]	K2 [mm]	H2 [mm]	Coy & Stat. Load Capacity				
	Part No.								±0,17 Co(-y) [N]	Coz [N]	Mox [Nm]	Moy [Nm]	Moz [Nm]
WW-06-30-06	WSQ-06-30	0,10	54	60	45	51	M4	18	1680	840	25	34	34
WW-06-30-08	WSQ-06-30	0,11	54	80	45	71	M4	18	1680	840	25	51	51
WW-06-30-10	WSQ-06-30	0,12	54	100	45	91	M4	18	1680	840	25	68	68
WW-10-40-10	WS-10-40	0,29	73	100	60	87	M6	24	4800	2400	96	170	170
WW-10-40-15	WS-10-40	0,34	73	150	60	137	M6	24	4800	2400	96	290	290
WW-10-40-20	WS-10-40	0,40	73	200	60	187	M6	24	4800	2400	96	410	410
WW-10-80-10	WS-10-80	0,34	107	100	94	87	M6	24	4800	2400	178	170	170
WW-10-80-15	WS-10-80	0,42	107	150	94	137	M6	24	4800	2400	178	290	290
WW-10-80-20	WS-10-80	0,50	107	200	94	187	M6	24	4800	2400	178	410	410
WW-16-60-10	WS-16-60	0,71	104	100	86	82	M8	35	8400	4200	240	270	270
WW-16-60-15	WS-16-60	0,84	104	150	86	132	M8	35	8400	4200	240	480	480
WW-16-60-20	WS-16-60	0,97	104	200	86	182	M8	35	8400	4200	240	690	690
WW-20-80-15	WS-20-80	1,20	134	150	116	132	M8	44	12800	6400	525	670	670
WW-20-80-20	WS-20-80	1,30	134	200	116	182	M8	44	12800	6400	525	990	990
WW-20-80-25	WS-20-80	1,50	134	250	116	232	M8	44	12800	6400	525	1250	1250

Part No. for a complete system:

WK -10 -40 -15 -01 ,1500 C5=20



Rail options

- Leave blank: Standard with holes
- C5 = ... mm: If hole spacing is not symmetrical

- Length of rail
- Number of carriage plates
- Length of carriage plate
- Support width
- Shaft diameter
- Complete system



Order example, complete system:

WK-10-40-15-01, 1500 for a complete system, consisting of 1500 mm rail and with a 150 mm-long and 40 mm-wide guide slide.

DryLin® W

Phone: +49 (0) 22 03-96 49-145
Fax: +49 (0) 22 03-96 49-334

