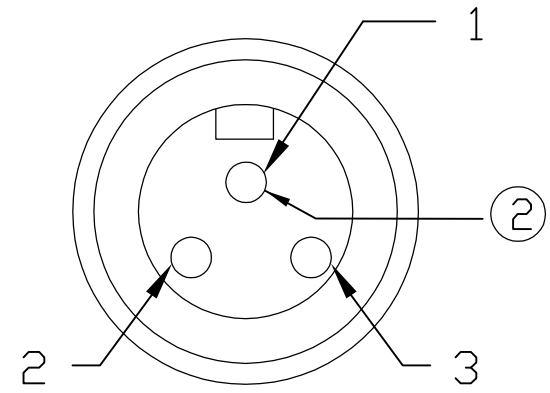
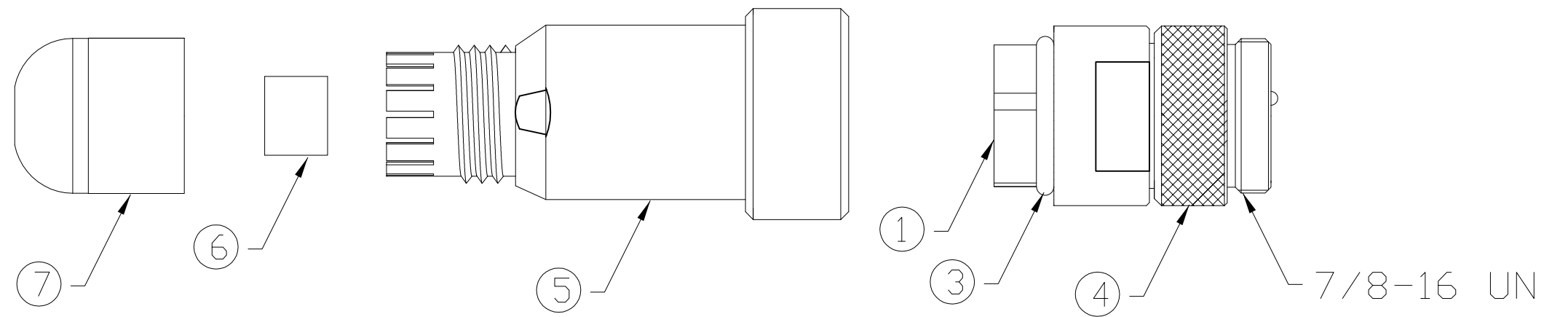
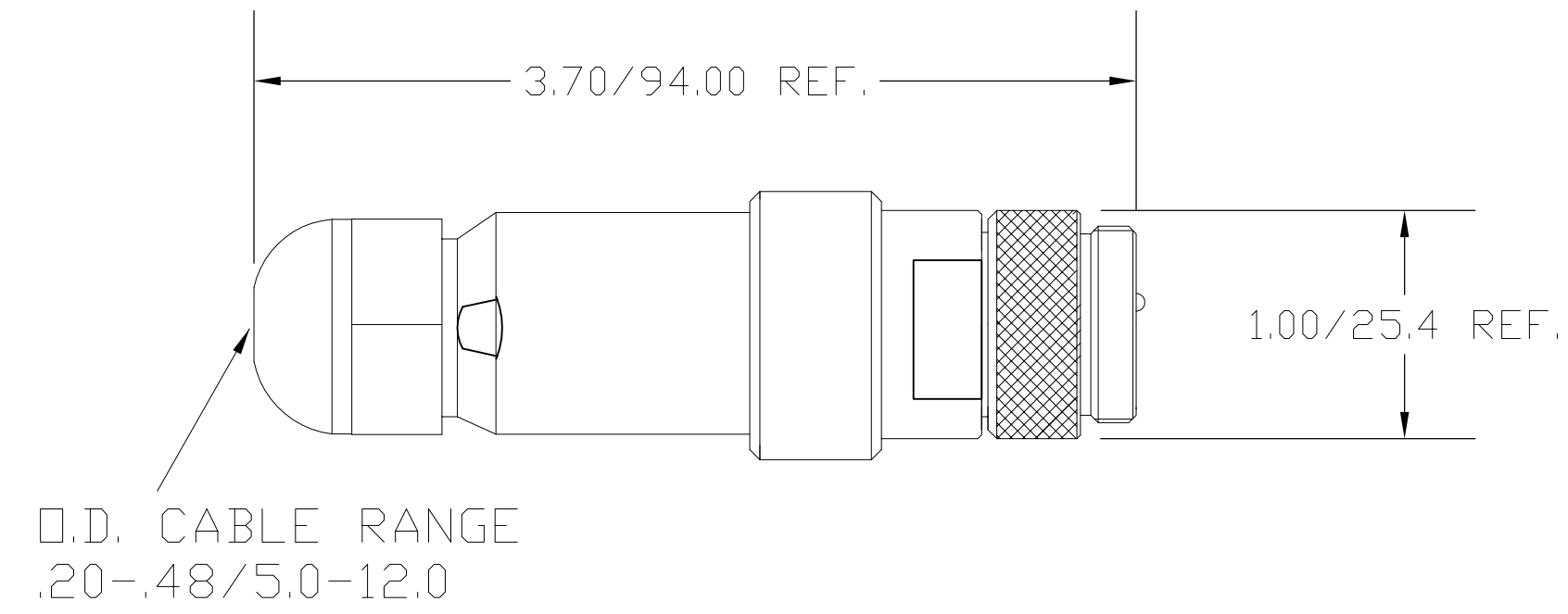
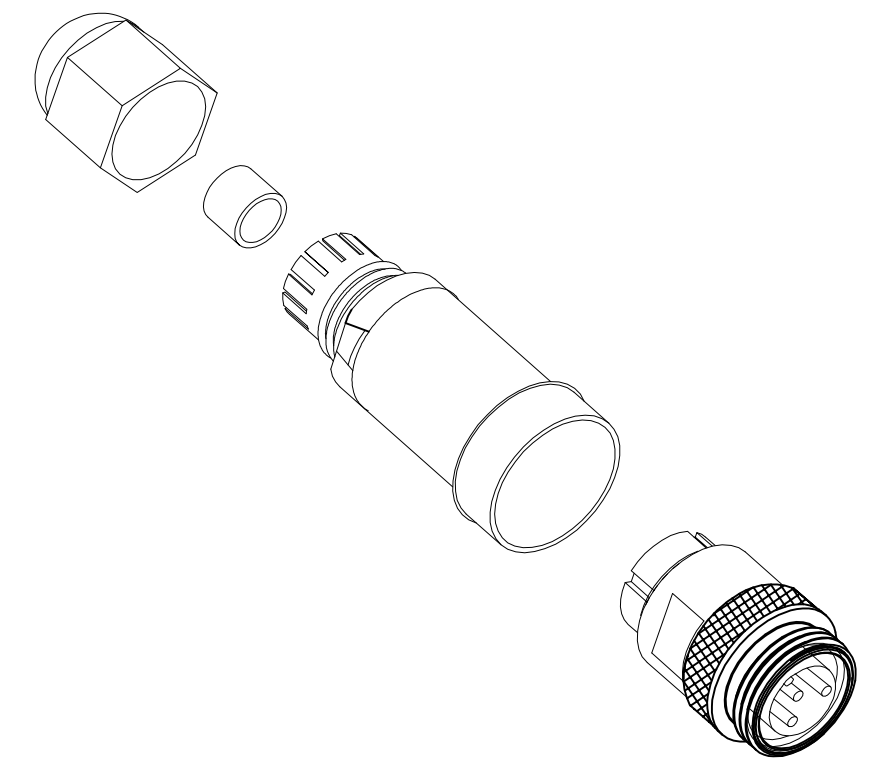
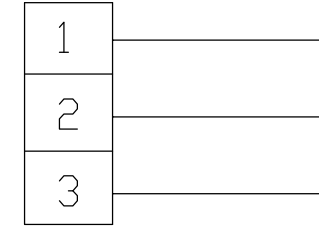


13	12	11	10	9	8	7	6	5	4	3	2	1
<b>MATERIAL NUMBER</b>	<b>ENGINEERING PART NUMBER</b>	<b>COUPLING NUT MATERIAL</b>	<b>COUPLING NUT FINISH</b>									
1300170011	1A3006-34	BRASS	NICKEL PLATED									
1300170012	1A3006-348	STAINLESS STEEL	PASSIVATED									



MALE FACE VIEW



WIRING CHART

VOLTAGE RATING	600VAC/VDC
AMPERAGE RATING	13 AMPS
PROTECTION	IP67
OPERATING TEMPERATURE	-20°C TO 80°C
CSA CERTIFICATIONS	CSA CERTIFIED, FILE NO. LR6837

ITEM	COMPONENT	MATERIAL	FINISH
1	INSERT	NYLON	BLACK
2	PIN CONTACTS	COPPER ALLOY	GOLD PLATED
3	O-RING	NITRILE	BLACK
4	COUPLING NUT	SEE CHART	SEE CHART
5	MOLDED BODY	NYLON	BLACK
6	GROMMET	NITRILE	BLACK
7	CORD GRIP BODY	NYLON	BLACK

RELEASE  
 EC NO: WNA2010-0081  
 DRWN: TWOLDEGE 8/25/09  
 CH'KD: BWOODMAN  
 APPR: JFMURPHY 2009/08/27  
 A REV

QUALITY SYMBOL	DESCRIPTION
▽=0	
∇=0	

GENERAL TOLERANCES (UNLESS SPECIFIED)	
	mm INCH
4 PLACES	±.005 ±.010
3 PLACES	±.013 ±.010
2 PLACES	±.013 ±.010
1 PLACE	±.025 ±.020
ANGULAR ±1/2°	
DRAFT WHERE APPLICABLE MUST REMAIN WITHIN DIMENSIONS	

DIMENSION STYLE	
----	
DRAWN BY	DATE
TWOLDEGE	2009/08/25
CHECKED BY	DATE
BWOODMAN	2009/08/25
APPROVED BY	DATE
JFMURPHY	2009/08/26
MATERIAL NO. SEE CHART	

SCALE	DESIGN UNITS	THIRD ANGLE PROJECTION
----	INCH	☉
TITLE		
MINI CHANGE ATTACHABLE 3-POLE MALE ST .20"-.48" CABLE RANGE		
MOLEX INCORPORATED		
MATERIAL NO.	DOCUMENT NO.	SHEET NO.
SEE CHART	SD-130017-007	1 OF 1
THIS DRAWING CONTAINS INFORMATION THAT IS PROPRIETARY TO MOLEX INCORPORATED AND SHOULD NOT BE USED WITHOUT WRITTEN PERMISSION		