

new

UTO

Dynamic IP68 / IP69K
High salt spray resistance
RoHS compliant



Metal circular connector

Description

"UTO" industrial circular connectors are a range of multiway connectors available in 8 shell sizes and 8 insert arrangements all interchangeable, interchangeable and intermountable with the TRIM TRIO "UTG" and "UTP" industrial connector families.

"UTO" is equipped with identical shells from military connectors complying to MIL-C-26482 spec.

Strong and rugged built to resist every environmental and mechanical requirement for indoor and outdoor applications.

Amongst several characteristics, "UTO" offers possibilities on: Shielding, High levels on sealing and salt spray. UTO is also the perfect solution to connect cat5e Ethernet applications in combination with other signals, using the same TRIM TRIO contacts (consult factory for more info).

Features and benefits (see p2)

- Suitable for shielding applications
- Available in 8 shell sizes and 8 insert arrangements.
- Available in plug and receptacle versions for both male and female contacts.
- Different insert orientations possible.
- Plastic inserts with flammability rating: UL94-V0.
- **2 levels of water protection:** Dynamic IP67 and IP68 both versions are IP69K
- **2 levels of salt spray:** 48h and 96h Higher salt spray resistance (200/500h) upon request
- Cat5e Ethernet compatible. Can be combined with other signals offering the advantage to use same contacts (consult factory).
- UL recognition in process.
- Metal bayonet ring:
 - Metal wave spring loaded
 - Locks with audible positive "click"
 - Assures 500 matings and unmatings
- RoHS compliant



Performance characteristics

| | |
|---|---|
| Operating temp: | -40°C to +105°C |
| Insulation resistance: | 5000 MΩ min. |
| Test potential: | 2000 VAC |
| Durability: | 500 matings and unmatings. |
| Vibration resistance: | Per MIL-STD202 method 204 |
| Thermal shock: | Per MIL-STD202 method 207 |
| Corrosion: | Salt spray per MIL-STD 202 method 101 48h (standard version) 96h (black anodised coupling ring) |
| | Higher salt spray resistance (200/500h) upon request |
| Shielding effectiveness: | 95 dB at 1 Mhz |
| Degree of water protection per DIN 40050: | Dynamic IP67 / IP68 / IP69K in mated condition and in combination with sealed back shell. |

Construction

| | |
|------------------------------|----------------------------------|
| Shells: | Zinc alloy |
| Backshells and cable glands: | Brass |
| Coupling ring: | Aluminium alloy |
| Coupling spring: | Spring stainless steel |
| Insert: | Glass-filled thermoplast UL94-V0 |
| | RoHS compliant |

Contact accommodation

- "UTO" connectors accept TRIM TRIO size 16 crimp-type removable snap-lock contacts (see contacts section)
- Contacts to be ordered separately.

How to order

| | UTO | 0 | 14 | 12 | P | - | H or H6 | -- | -- |
|-----------------------------|-----|---|----|----|---|---|---------|----|----|
| | UTO | 6 | 14 | 12 | S | - | H | | |
| Body variation: | | 0 : Wall mounting receptacle 6 : Cable plug 7 : Jam nut receptacle for rear panel mounting | | | | | | | |
| Shell size: | | | | | | | | | |
| Insert arrangement: | | | | | | | | | |
| Type of contacts: | | P : Pin contacts S : Socket contacts | | | | | | | |
| Insert polarisation: | | No letter : Standard version W, X, Y, Z: Different orientations (consult factory) | | | | | | | |
| Application: | | H : Standard version, water protected IP 67 & IP 69K H6 : Water protected IP 68 & IP 69K (only needed for wall mounting & jam nut receptacles) | | | | | | | |
| Design variation: | | No letter : Standard version Others : Special versions | | | | | | | |
| Plating: | | No letter : Standard is nickel plating (48h salt spray) 01: Black anodised jam nut (96h salt spray) 02: Black anodised coupling ring (96h salt spray) | | | | | | | |

New UTO-UTOW series



New UTO – UTOW series:

- The exclusive new product range in the TRIM TRIO broadline.
- Aesthetic and top class performances

UTO – UTOW series major technical features & benefits

• Full metal bayonet connector

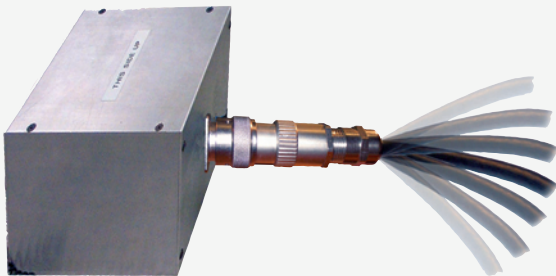
- Enabling 500 mating-unmating without wear out
- Secure locking device: audible “click” when mating



• Dynamic IP68*

Connector will remain IP68 even when:

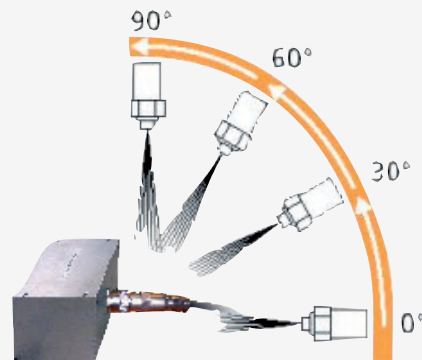
- Pulling on the cable
- Bending the cable



- * With appropriate back shell
- * Exists also in IP67 version

• Dynamic IP69K*

Connector withstands high pressure water cleaning.



- * With appropriate back shell

• High salt spray resistance*

- Can be used in severe environment

- * Exists in 48 and 96 hours salt spray version
- * Higher salt spray resistance (e.g. 200 or 500 hours) upon request

• RoHS compliant

- Cadmium and lead free materials are used

• In accordance with following standards

- UTO is Ethernet Cat5e compatible (consult factory)
- UTO-UTOW ranges are upgradeable to highspeed solutions



For detailed information on UTO and UTOW series offering see pages 21 to 31

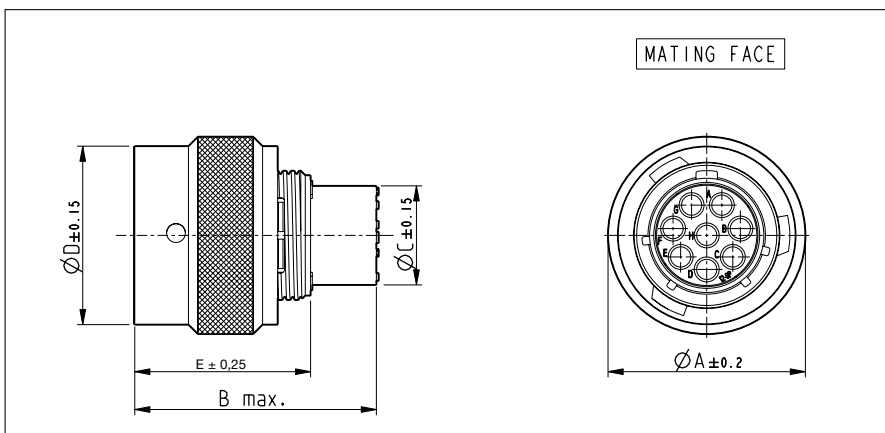
new

UTO

Dynamic IP68 / IP69K
High salt spray resistance
RoHS compliant



Cable plug for pin contacts (UT06- - - -PH)

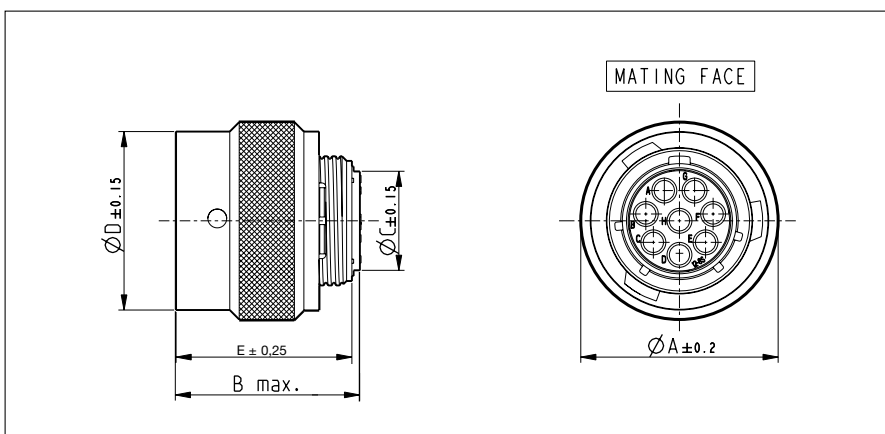


| Part number | Shell size | $\varnothing A \pm 0.2$ | B max. | $\varnothing C \pm 0.15$ | $\varnothing D \pm 0.15$ | E ± 0.25 |
|-------------|------------|-------------------------|--------|--------------------------|--------------------------|--------------|
| UT06104PH | 10 | 21.80 | 33.00 | 10.2 | 20.00 | 23.25 |
| UT06128PH | 12 | 26.10 | | 13.4 | 23.60 | |
| UT061412PH | 14 | 29.30 | | 16.7 | 26.80 | |
| UT061619PH | 16 | 32.45 | | 19.7 | 30.00 | |
| UT061823PH | 18 | 35.25 | | 21.7 | 33.30 | |
| UT062028PH | 20 | 38.80 | | 24.9 | 36.55 | |
| UT062235PH | 22 | 42.00 | 27.30 | 28.1 | 39.50 | 25.20 |
| UT062448PH | 24 | 45.05 | | 31.2 | 42.60 | |

Part numbers are suitable for both IP67 and IP68 water protection

For 96h salt spray version add "02" behind "H" e.g. UT061412PH02 (only bayonet ring will be black anodised)

Cable plug for socket contacts (UT06- - - -SH)



| Part number | Shell size | $\varnothing A \pm 0.2$ | B max. | $\varnothing C \pm 0.15$ | $\varnothing D \pm 0.15$ | E ± 0.25 |
|-------------|------------|-------------------------|--------|--------------------------|--------------------------|--------------|
| UT06104SH | 10 | 21.80 | 33.00 | 10.2 | 20.00 | 23.25 |
| UT06128SH | 12 | 26.10 | | 13.4 | 23.60 | |
| UT061412SH | 14 | 29.30 | | 16.7 | 26.80 | |
| UT061619SH | 16 | 32.45 | | 19.7 | 30.00 | |
| UT061823SH | 18 | 35.25 | | 21.7 | 33.30 | |
| UT062028SH | 20 | 38.80 | | 24.9 | 36.55 | |
| UT062235SH | 22 | 42.00 | 27.30 | 28.1 | 39.50 | 25.20 |
| UT062448SH | 24 | 45.05 | | 31.2 | 42.60 | |

Part numbers are suitable for both IP67 and IP68 water protection

For 96h salt spray version add "02" behind "H" e.g. UT061412SH02 (only bayonet ring will be black anodised)

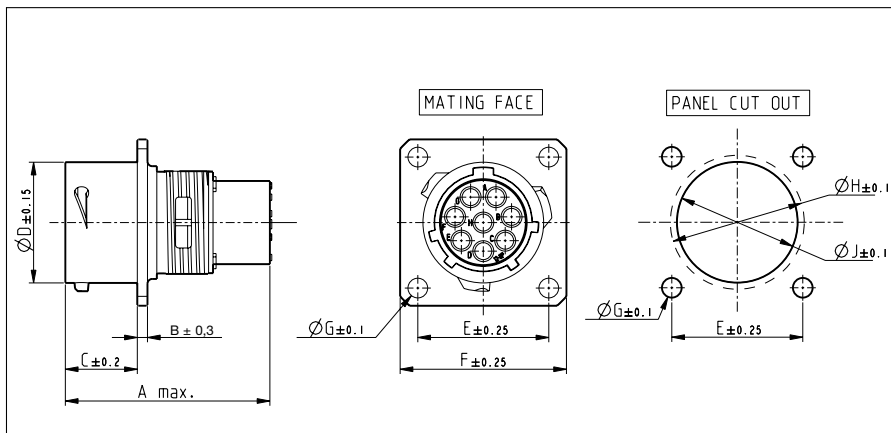
new

UTO

Dynamic IP68 / IP69K
High salt spray resistance
RoHS compliant



Wall mounting receptacle for pin contacts (UT00---PH/PH6)

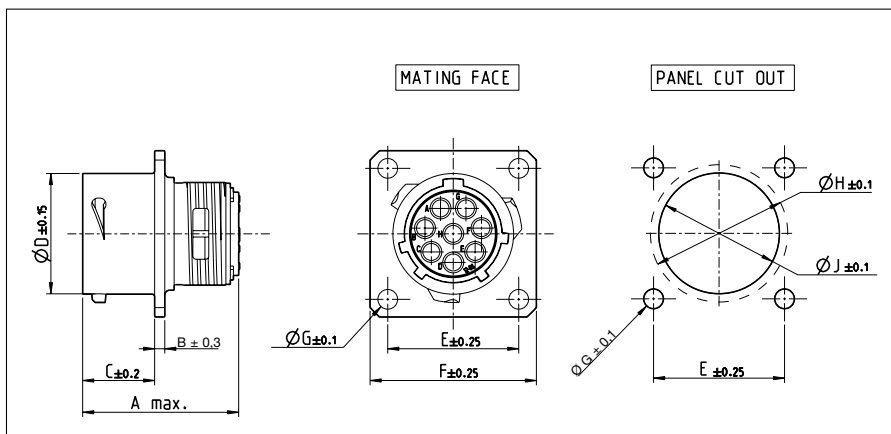


| Part number | | Shell size | A max. | B ± 0.3 | C ± 0.2 | Ø D ± 0.15 | E ± 0.25 | F ± 0.25 | Ø G ± 0.1 | Ø H ± 0.1 | Ø J ± 0.1 |
|-------------|-------------|------------|--------|---------|---------|------------|----------|----------|-----------|-----------|-----------|
| IP67 | IP68 | | | | | | | | | | |
| UT00104PH | UT00104PH6 | 10 | 33.23 | 1.6 | 11.35 | 15.0 | 18.3 | 23.8 | 3.2 | 17.3 | 14.2 |
| UT00128PH | UT00128PH6 | 12 | | | | 19.0 | 20.6 | 26.2 | | 21.8 | 18.4 |
| UT001412PH | UT001412PH6 | 14 | | | | 22.2 | 23.0 | 28.6 | | 25.0 | 21.5 |
| UT001619PH | UT001619PH6 | 16 | | | | 25.3 | 24.6 | 31.0 | | 28.1 | 24.6 |
| UT001823PH | UT001823PH6 | 18 | | | | 28.5 | 26.9 | 33.3 | | 31.3 | 27.8 |
| UT002028PH | UT002028PH6 | 20 | 34.75 | 2.4 | 14.55 | 31.7 | 29.4 | 36.5 | 3.9 | 34.5 | 30.9 |
| UT002235PH | UT002235PH6 | 22 | | | | 34.9 | 31.8 | 39.7 | | 37.7 | 34.1 |
| UT002448PH | UT002448PH6 | 24 | | | | 15.35 | 38.0 | 34.9 | | 42.9 | 40.9 |

Part numbers are suitable for both 48h and 96h salt spray.

A square sealing has to be ordered separately to guarantee a sealing with equipment. Refer to "Circular accessories" section (UTFD--).

Wall mounting receptacle for socket contacts (UT00---SH/SH6)



| Part number | | Shell size | A max. | B ± 0.3 | C ± 0.2 | Ø D ± 0.15 | E ± 0.25 | F ± 0.25 | Ø G ± 0.1 | Ø H ± 0.1 | Ø J ± 0.1 |
|-------------|-------------|------------|--------|---------|---------|------------|----------|----------|-----------|-----------|-----------|
| IP67 | IP68 | | | | | | | | | | |
| UT00104SH | UT00104SH6 | 10 | 25.20 | 1.6 | 11.35 | 15.0 | 18.3 | 23.8 | 3.2 | 17.3 | 14.2 |
| UT00128SH | UT00128SH6 | 12 | | | | 19.0 | 20.6 | 26.2 | | 21.8 | 18.4 |
| UT001412SH | UT001412SH6 | 14 | | | | 22.2 | 23.0 | 28.6 | | 25.0 | 21.5 |
| UT001619SH | UT001619SH6 | 16 | | | | 25.3 | 24.6 | 31.0 | | 28.1 | 24.6 |
| UT001823SH | UT001823SH6 | 18 | | | | 28.5 | 26.9 | 33.3 | | 31.3 | 27.8 |
| UT002028SH | UT002028SH6 | 20 | 29.00 | 2.4 | 14.55 | 31.7 | 29.4 | 36.5 | 3.9 | 34.5 | 30.9 |
| UT002235SH | UT002235SH6 | 22 | | | | 34.9 | 31.8 | 39.7 | | 37.7 | 34.1 |
| UT002448SH | UT002448SH6 | 24 | | | | 15.35 | 38.0 | 34.9 | | 42.9 | 40.9 |

Part numbers are suitable for both 48h and 96h salt spray.

A square sealing has to be ordered separately to guarantee a sealing with equipment. Refer to "Circular accessories" section (UTFD--).

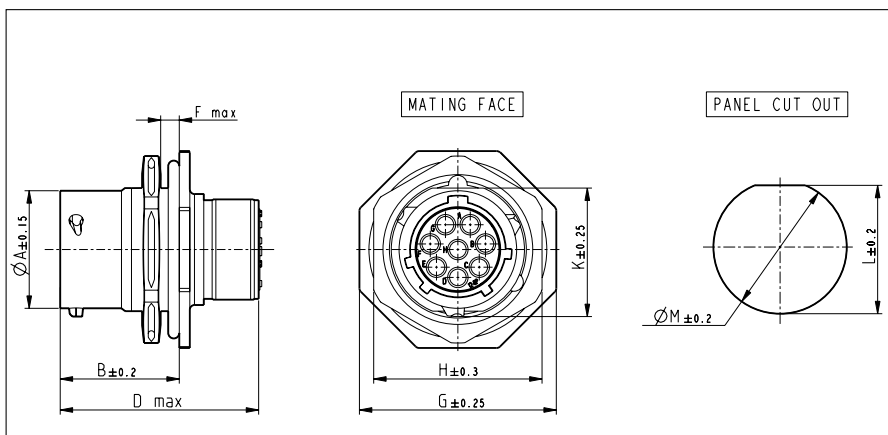
new

UTO

Dynamic IP68 / IP69K
High salt spray resistance
RoHS compliant



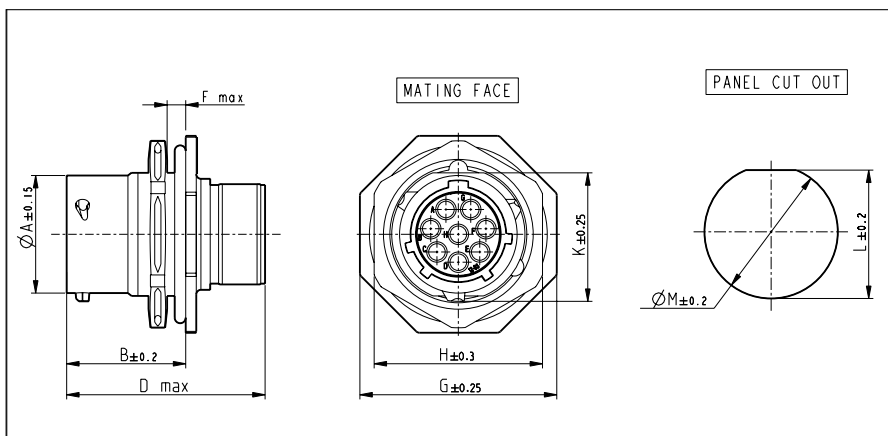
Jam nut receptacle for pin contacts (UT07---PH/PH6) - suitable for rear panel mounting



| Part number | | Shell size | $\varnothing A$ ± 0.15 | B ± 0.2 | D Max. | F Max. | G ± 0.25 | H ± 0.3 | K ± 0.25 | L ± 0.2 | $\varnothing M$ ± 0.2 |
|-------------|-------------|------------|-------------------------------|----------------|-----------|-----------|-----------------|----------------|-----------------|----------------|------------------------------|
| IP67 | IP68 | | | | | | | | | | |
| UT07104PH | UT07104PH6 | 10 | 14.9 | 19.30 | 33.90 | 3.2 | 27.0 | 22.2 | 16.6 | 17.0 | 17.7 |
| UT07128PH | UT07128PH6 | 12 | 19.0 | | | | 31.8 | 27.0 | 20.8 | 21.2 | 22.5 |
| UT071412PH | UT071412PH6 | 14 | 22.2 | | | | 34.9 | 30.2 | 23.9 | 24.3 | 25.7 |
| UT071619PH | UT071619PH6 | 16 | 25.3 | | | | 38.1 | 33.3 | 27.1 | 27.5 | 28.7 |
| UT071823PH | UT071823PH6 | 18 | 28.5 | | | | 41.3 | 36.5 | 30.3 | 30.6 | 32.0 |
| UT072028PH | UT072028PH6 | 20 | 31.7 | 24.70 | 39.00 | 6.4 | 46.1 | 39.7 | 33.4 | 33.8 | 35.2 |
| UT072235PH | UT072235PH6 | 22 | 34.9 | | | | 49.2 | 42.9 | 36.6 | 37.0 | 38.4 |
| UT072448PH | UT072448PH6 | 24 | 38.0 | | | | 25.50 | 40.50 | 53.4 | 46.0 | 39.8 |

For 96h salt spray version add "01" at the end of the part number e.g. UT071412PH601 (only jam nut will be black anodised)

Jam nut receptacle for socket contacts (UT07---SH/SH6) - suitable for rear panel mounting



| Part number | | Shell size | $\varnothing A$ ± 0.15 | B ± 0.2 | D Max. | F Max. | G ± 0.25 | H ± 0.3 | K ± 0.25 | L ± 0.2 | $\varnothing M$ ± 0.2 |
|-------------|-------------|------------|-------------------------------|----------------|-----------|-----------|-----------------|----------------|-----------------|----------------|------------------------------|
| IP67 | IP68 | | | | | | | | | | |
| UT07104SH | UT07104SH6 | 10 | 14.9 | 19.30 | 33.00 | 3.2 | 27.0 | 22.2 | 16.6 | 17.0 | 17.7 |
| UT07128SH | UT07128SH6 | 12 | 19.0 | | | | 31.8 | 27.0 | 20.8 | 21.2 | 22.5 |
| UT071412SH | UT071412SH6 | 14 | 22.2 | | | | 34.9 | 30.2 | 23.9 | 24.3 | 25.7 |
| UT071619SH | UT071619SH6 | 16 | 25.3 | | | | 38.1 | 33.3 | 27.1 | 27.5 | 28.7 |
| UT071823SH | UT071823SH6 | 18 | 28.5 | | | | 41.3 | 36.5 | 30.3 | 30.6 | 32.0 |
| UT072028SH | UT072028SH6 | 20 | 31.7 | 24.70 | 39.00 | 6.4 | 46.1 | 39.7 | 33.4 | 33.8 | 35.2 |
| UT072235SH | UT072235SH6 | 22 | 34.9 | | | | 49.2 | 42.9 | 36.6 | 37.0 | 38.4 |
| UT072448SH | UT072448SH6 | 24 | 38.0 | | | | 25.50 | 40.50 | 53.4 | 46.0 | 39.8 |

For 96h salt spray version add "01" at the end of the part number e.g. UT071412PH601 (only jam nut will be black anodised)

new

UTO

Dynamic IP68 / IP69K
High salt spray resistance
RoHS compliant

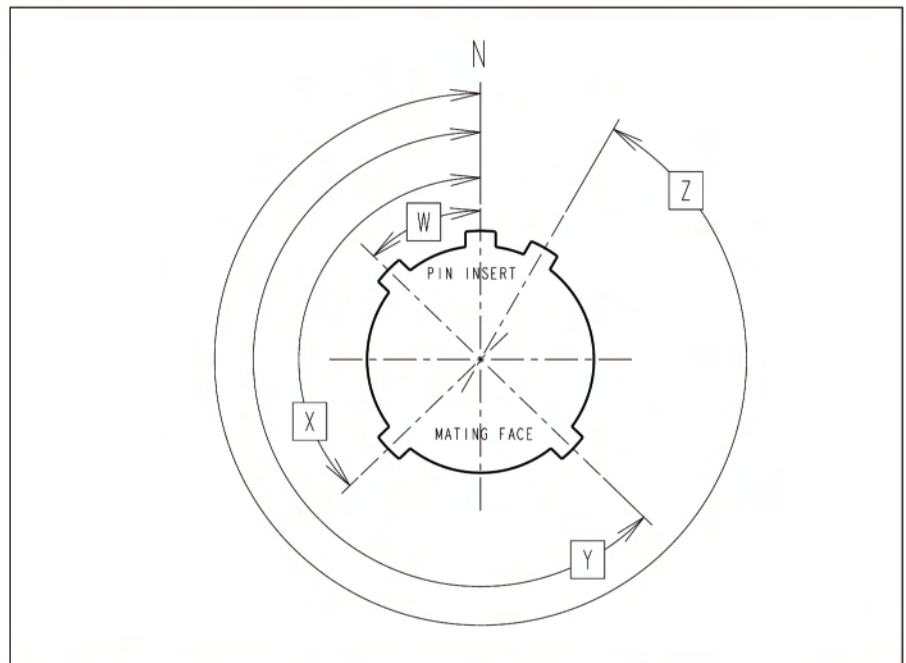


Insert rotation positions

The table shows possible insert rotation positions. 5 positions N,W,X,Y and Z differ in the degree of rotation for the various connectors sizes. The table indicates the exact degree of rotation.

Note: Insert rotation positions are optional (consult factory)

| Shell size | Contact number | Insert rotation positions | | | |
|------------|----------------|---------------------------|-----|-----|-----|
| | | W | X | Y | Z |
| 10 | 4 | on request | - | - | - |
| 12 | 8 | on request | - | - | - |
| 14 | 12 | on request | - | - | - |
| 16 | 19 | 30 | 165 | - | 315 |
| 18 | 23 | - | 158 | - | 270 |
| 20 | 28 | 79 | - | 259 | - |
| 22 | 35 | 13 | 162 | 198 | 265 |
| 24 | 48 | 60 | 120 | 189 | 351 |

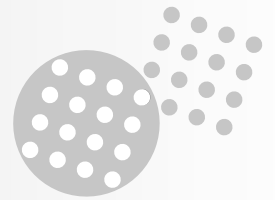


Extra O-seals for wall mounting (UT00) and jam nut (UT07) receptacle connectors

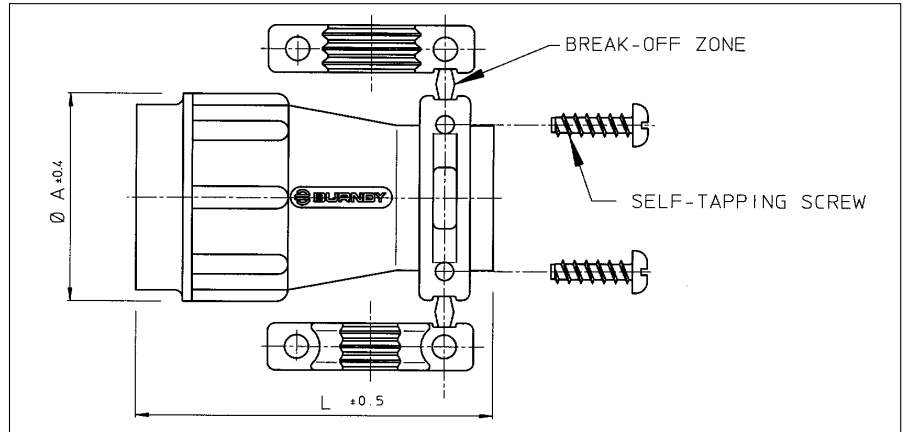
An extra O-seal must be mounted on the receptacle connectors when a backshell is used. This to guarantee the IP68 sealing level

| Part number | Shell size |
|---------------|------------|
| UT010REARSEAL | 10 |
| UT012REARSEAL | 12 |
| UT014REARSEAL | 14 |
| UT016REARSEAL | 16 |
| UT018REARSEAL | 18 |
| UT020REARSEAL | 20 |
| UT022REARSEAL | 22 |
| UT024REARSEAL | 24 |

Circular accessories



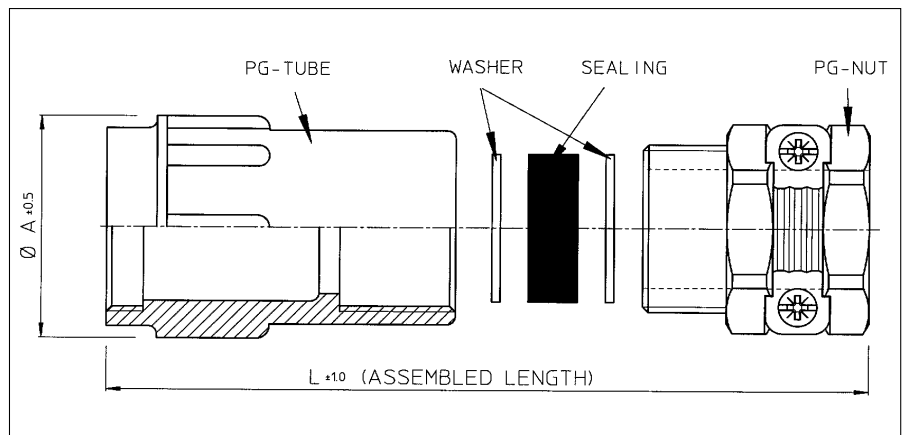
Plastic cable clamp with strain relief (UTG--AC)



| Part number | Shell size | Cable range Ø | Ø A ± 0.4 | L ± 0.5 |
|-------------|------------|---------------|-----------|---------|
| UTG10AC | 10 | 3.0 - 8.7 | 21.0 | 40.0 |
| UTG12AC | 12 | 3.0 - 12.8 | 24.0 | 40.0 |
| UTG14AC | 14 | 4.0 - 13.8 | 27.0 | 46.0 |
| UTG16AC | 16 | 5.0 - 17.0 | 30.2 | 46.0 |
| UTG18AC | 18 | 5.0 - 19.0 | 33.3 | 50.0 |
| UTG20AC | 20 | 5.0 - 21.0 | 36.5 | 55.0 |
| UTG22AC | 22 | 5.0 - 23.0 | 39.7 | 60.0 |
| UTG24AC | 24 | 8.0 - 27.0 | 42.9 | 65.0 |

For threading specifications see last page of this section "Circular accessories"

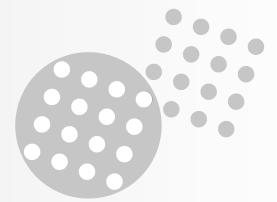
Plastic cable clamp with strain relief nut for waterprotected (IP65) applications (UTG--PG)



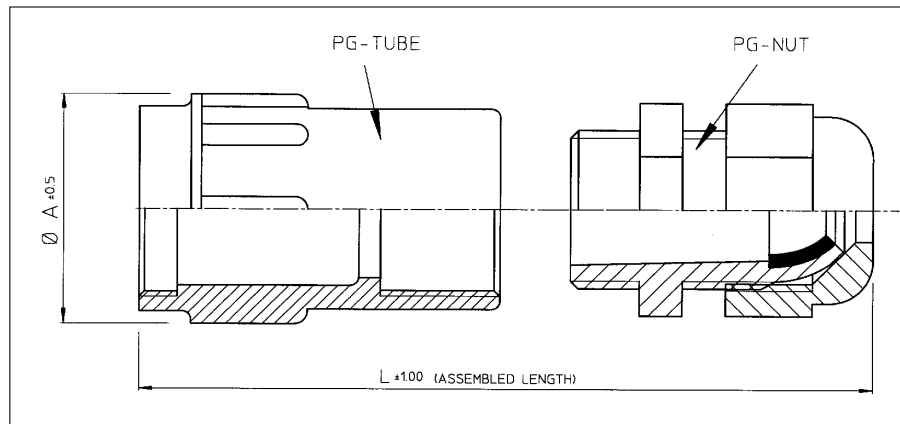
| Part number | Shell size | Sealing* outer dia x inner dia's | L ± 1 | A ± 0.5 |
|-------------|------------|----------------------------------|-------|---------|
| UTG10PG | 10 | 13.5 x 5 x 8 | 54 | 21.0 |
| UTG12PG | 12 | 16 x 7 x 10.5 x 13 x 16 | 57 | 24.0 |
| UTG14PG | 14 | 18.5 x 7 x 10.5 x 13 x 16 | 62 | 27.0 |
| UTG16PG | 16 | 20.5 x 8 x 10.5 x 13 x 16 | 68 | 30.2 |
| UTG18PG | 18 | 20.5 x 8 x 10.5 x 13 x 16 | 71 | 33.3 |
| UTG20PG | 20 | 26 x 11 x 15 x 18 x 22 | 82 | 36.5 |
| UTG22PG | 22 | 26 x 11 x 15 x 18 x 22 | 88 | 39.7 |
| UTG24PG | 24 | 35 x 19 x 23 x 27 x 31 | 103 | 42.9 |

*In order to accommodate different cable dia's, the sealing exists of different layers which can be pulled out easily. Cable clamp has a PG style cable gland. For threading specifications see last page of this section "Circular accessories"

Circular accessories



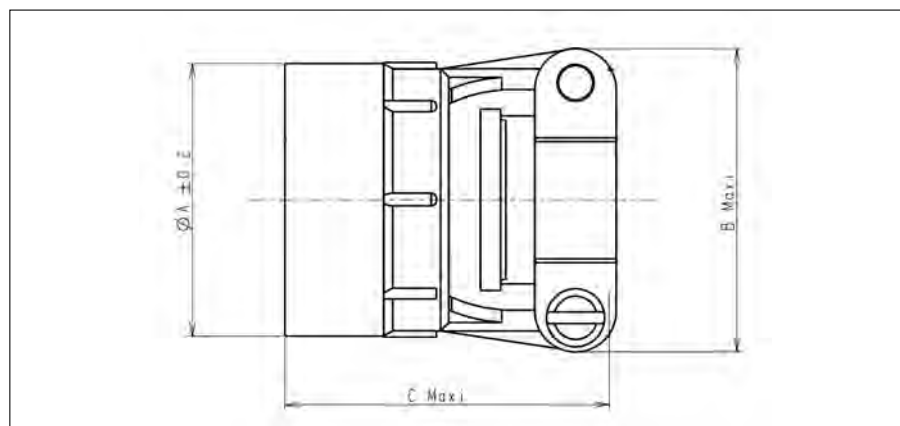
Plastic cable clamp with strain relief nut for waterprotected (IP65) applications (UTG--ST)



| Part number | Shell size | Cable range | Dia. A ±0.5 | L ±1 |
|-------------|------------|-------------|-------------|------|
| UTG10ST | 10 | 2 - 6 | 21.0 | 64 |
| UTG12ST | 12 | 3 - 7 | 24.0 | 64 |
| UTG14ST | 14 | 6 - 9 | 27.0 | 69 |
| UTG16ST | 16 | 7 - 12 | 30.2 | 72 |
| UTG18ST | 18 | | 33.3 | 76 |
| UTG20ST | 20 | 9 - 16 | 36.5 | 80 |
| UTG22ST | 22 | | 39.7 | 86 |
| UTG24ST | 24 | 13 - 20 | 42.9 | 91 |

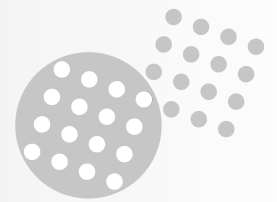
Cable clamp has a PG style cable gland. For threading specifications see last page of this section "Circular"

Metal cable clamp with strain relief (UT0--AC)

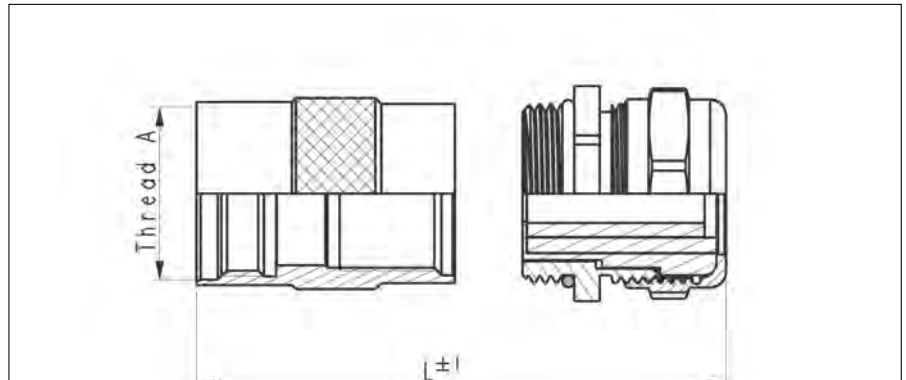


| Part number | Shell size | Max cable dia. Excl. sealing | Ø A ±0.2 | B maxi | C maxi |
|-------------|------------|------------------------------|----------|--------|--------|
| UT010AC | 10 | 5.0 | 16.3 | 21.6 | 31.0 |
| UT012AC | 12 | 8.2 | 19.4 | 25.0 | 31.5 |
| UT014AC | 14 | 10.0 | 22.5 | 27.4 | 34.0 |
| UT016AC | 16 | 13.0 | 25.8 | 29.4 | 34.0 |
| UT018AC | 18 | 16.0 | 29.2 | 35.2 | 31.4 |
| UT020AC | 20 | 16.0 | 32.5 | 35.2 | 32.0 |
| UT022AC | 22 | 19.3 | 35.7 | 41.1 | 31.0 |
| UT024AC | 24 | 20.6 | 38.8 | 42.4 | 31.0 |

For threading specifications see last page of this section "Circular accessories"



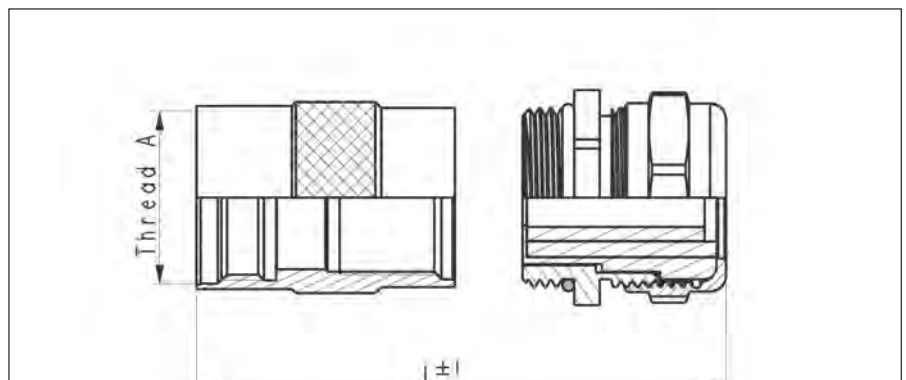
Short cable clamp with strain relief nut for waterprotected applications (IP68). (UT0--JCS)
Long cable clamp with strain relief nut for waterprotected applications (IP68). (UT0--JC)



| Part number | | Shell size | Clamping range (Ø en mm) min / max | L± 1 | | Thread A |
|---------------|--------------|------------|---------------------------------------|---------------|--------------|----------------------------|
| Short version | Long version | | | Short version | Long version | |
| UT010JCS | UT010JC | 10 | 03 / 06 | 48.5 | 60.5 | 9/16 – 24 UNEF Class 2A |
| UT012JCS | UT012JC | 12 | 06 / 10 | 49.5 | 61.5 | 11/16 – 24 UNEF Class 2A |
| UT014JCS | UT014JC | 14 | 06 / 10 | 53.5 | 67.5 | 13/16 – 20 UNEF Class 2A |
| UT016JCS | UT016JC | 16 | 9.5 / 14 | 62.5 | 73.5 | 15/16 – 20 UNEF Class 2A |
| UT018JCS | UT018JC | 18 | 9.5 / 14 | 65.5 | 76.0 | 1" 1/16 – 18 UNEF Class 2A |
| UT020JCS | UT020JC | 20 | 11.5 / 18 | 70.5 | 84.0 | 1" 3/16 – 18 UNEF Class 2A |
| UT022JCS | UT022JC | 22 | 11.5 / 18 | 76.5 | 88.0 | 1" 5/16 – 18 UNEF Class 2A |
| UT024JCS | UT024JC | 24 | 11.5 / 18 | 82.0 | 92.0 | 1" 7/16 – 18 UNEF Class 2A |

Cable clamp has a Metric style cable gland. For threading specifications see last page of this section "Circular accessories"

Short cable clamp with large strain relief nut for waterprotected applications (IP68). (UT0--JCSL)
Long cable clamp with large strain relief nut for waterprotected applications (IP68). (UT0--JCL)

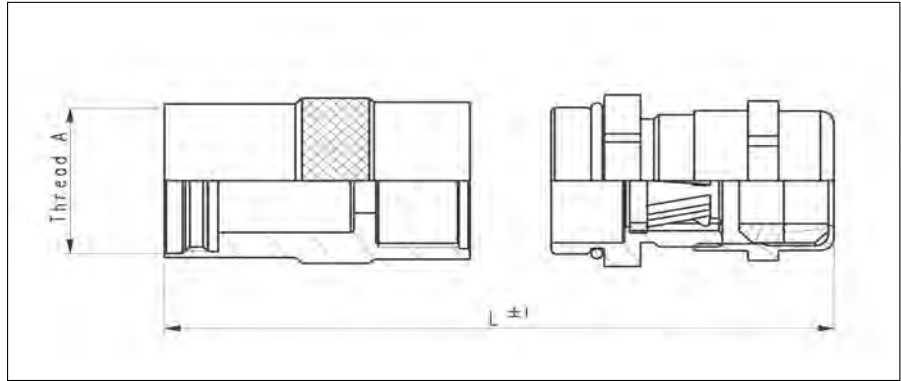


| Part number | | Shell size | Clamping range (Ø en mm) min / max | L± 1 | | Thread A |
|---------------|--------------|------------|---------------------------------------|---------------|--------------|----------------------------|
| Short version | Long version | | | Short version | Long version | |
| UT010JCSL | UT010JCL | 10 | 05 / 08 | 49.5 | 61.5 | 9/16 – 24 UNEF Class 2A |
| UT012JCSL | UT012JCL | 12 | 08 / 12 | 49.5 | 62.5 | 11/16 – 24 UNEF Class 2A |
| UT014JCSL | UT014JCL | 14 | 08 / 12 | 54.5 | 68.5 | 13/16 – 20 UNEF Class 2A |
| UT016JCSL | UT016JCL | 16 | 11.5 / 18 | 68.5 | 79.5 | 15/16 – 20 UNEF Class 2A |
| UT018JCSL | UT018JCL | 18 | 11.5 / 18 | 71.5 | 82.0 | 1" 1/16 – 18 UNEF Class 2A |
| UT020JCSL | UT020JCL | 20 | 15 / 24 | 77.5 | 91.0 | 1" 3/16 – 18 UNEF Class 2A |
| UT022JCSL | UT022JCL | 22 | 15 / 24 | 83.5 | 95.0 | 1" 5/16 – 18 UNEF Class 2A |
| UT024JCSL | UT024JCL | 24 | 15 / 24 | 89.0 | 99.0 | 1" 7/16 – 18 UNEF Class 2A |

Cable clamp has a Metric style cable gland. For threading specifications see last page of this section "Circular accessories"



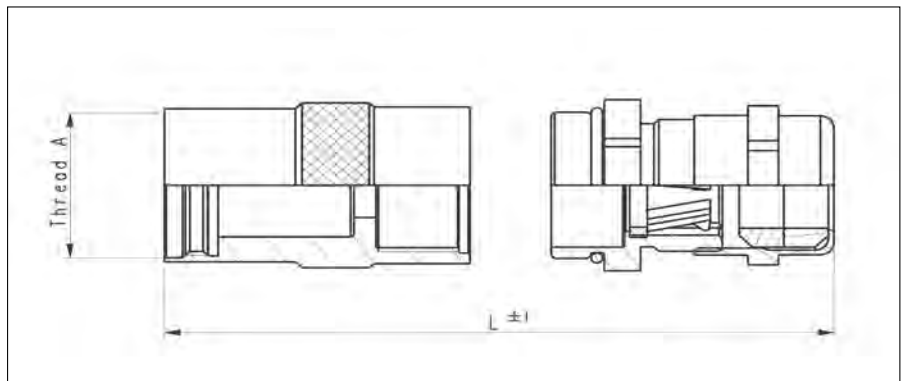
Short shielded cable clamp with strain relief nut for waterprotected applications (IP68). (UT0S----JCS)
Long shielded cable clamp with strain relief nut for waterprotected applications (IP68). (UT0S----JC)



| Part number | | Shell size | Clamping range (Ø en mm) min / max | L ± 1 | | Thread A |
|---------------|--------------|------------|---------------------------------------|---------------|--------------|----------------------------|
| Short version | Long version | | | Short version | Long version | |
| UT0S10JCS | UT0S10JC | 10 | 04 / 6.5 | 58.5 | 70.5 | 9/16 – 24 UNEF Class 2A |
| UT0S12JCS | UT0S12JC | 12 | 07 / 10.5 | 61.5 | 74.5 | 11/16 – 24 UNEF Class 2A |
| UT0S14JCS | UT0S14JC | 14 | 07 / 10.5 | 66.5 | 80.5 | 13/16 – 20 UNEF Class 2A |
| UT0S16JCS | UT0S16JC | 16 | 10 / 14.5 | 72.5 | 83.5 | 15/16 – 20 UNEF Class 2A |
| UT0S18JCS | UT0S18JC | 18 | 10 / 14.5 | 75.5 | 86.0 | 1" 1/16 – 18 UNEF Class 2A |
| UT0S20JCS | UT0S20JC | 20 | 13.5 / 18 | 84.5 | 97.5 | 1" 3/16 – 18 UNEF Class 2A |
| UT0S22JCS | UT0S22JC | 22 | 13.5 / 18 | 90.0 | 101.5 | 1" 5/16 – 18 UNEF Class 2A |
| UT0S24JCS | UT0S24JC | 24 | 13.5 / 18 | 95.5 | 105.5 | 1" 7/16 – 18 UNEF Class 2A |

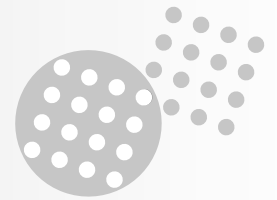
Cable clamp has a Metric style cable gland. For threading specifications see last page of this section "Circular accessories"

Short shielded cable clamp with large strain relief nut for waterprotected applications (IP68). (UT0S----JCSL)
Long shielded cable clamp with large strain relief nut for waterprotected applications (IP68). (UT0S----JCL)

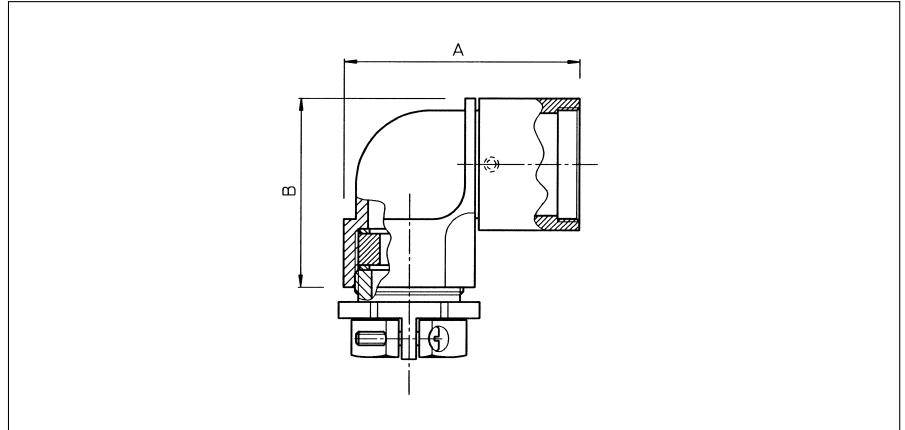


| Part number | | Shell size | Clamping range (Ø en mm) min / max | L ± 1 | | Thread A |
|---------------|--------------|------------|---------------------------------------|---------------|--------------|----------------------------|
| Short version | Long version | | | Short version | Long version | |
| UT0S10JCSL | UT0S10JCL | 10 | 05 / 8.5 | 59.5 | 71.5 | 9/16 – 24 UNEF Class 2A |
| UT0S12JCSL | UT0S12JCL | 12 | 08 / 12.5 | 61.5 | 74.5 | 11/16 – 24 UNEF Class 2A |
| UT0S14JCSL | UT0S14JCL | 14 | 08 / 12.5 | 66.5 | 80.5 | 13/16 – 20 UNEF Class 2A |
| UT0S16JCSL | UT0S16JCL | 16 | 13.5 / 18 | 82.5 | 93.5 | 15/16 – 20 UNEF Class 2A |
| UT0S18JCSL | UT0S18JCL | 18 | 13.5 / 18 | 85.5 | 96.0 | 1" 1/16 – 18 UNEF Class 2A |
| UT0S20JCSL | UT0S20JCL | 20 | 17 / 24 | 93.0 | 106.5 | 1" 3/16 – 18 UNEF Class 2A |
| UT0S22JCSL | UT0S22JCL | 22 | 17 / 24 | 99.0 | 110.5 | 1" 5/16 – 18 UNEF Class 2A |
| UT0S24JCSL | UT0S24JCL | 24 | 17 / 24 | 104.5 | 114.5 | 1" 7/16 – 18 UNEF Class 2A |

Cable clamp has a Metric style cable gland. For threading specifications see last page of this section "Circular accessories"



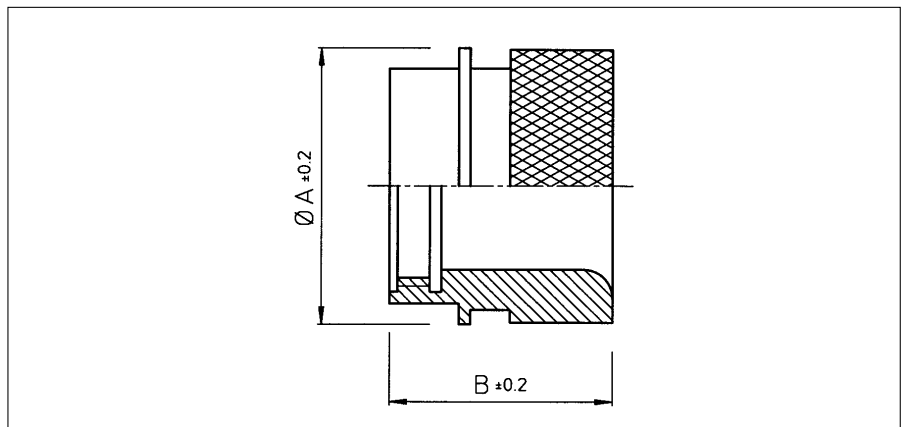
Metal right angle cable clamp with strain relief nut (UTG--LPGN / UTO--LPGN)



| Part number For UTP / UTG | Part number For UTO / UTOW | Shell size | A max | B max | Cable range |
|------------------------------|-------------------------------|---------------|-------|-------|---------------------------|
| UTG10LPGN | UT010LPGN | 10 | 48.0 | 30.0 | 13.5 x 5 x 8 |
| UTG12LPGN | UT012LPGN | 12 | 50.0 | 33.5 | 16 x 7 x 10.5 x 13 |
| UTG14LPGN | UT014LPGN | 14 | 52.0 | 36.5 | 18.5 x 7 x 10.5 x 13 x 16 |
| UTG16LPGN | UT016LPGN | 16 | 55.0 | 39.5 | 20.5 x 8 x 10.5 x 13 x 16 |
| UTG18LPGN | UT018LPGN | 18 | 60.0 | 46.0 | 20.5 x 8 x 10.5 x 13 x 16 |
| UTG20LPGN | UT020LPGN | 20 | 58.0 | 47.0 | 26 x 11 x 15 x 18 x 22 |
| UTG22LPGN | UT022LPGN | 22 | 58.0 | 48.5 | 26 x 11 x 15 x 18 x 22 |
| UTG24LPGN | UT024LPGN | 24 | 67.0 | 54.5 | 35 x 19 x 23 x 27 x 31 |

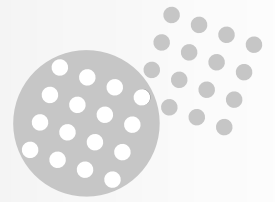
Cable clamp has a PG style cable gland. For threading specifications see last page of this section "Circular accessories"

Metal shrink boot adaptor (UTG--AD) for UTP and UTG

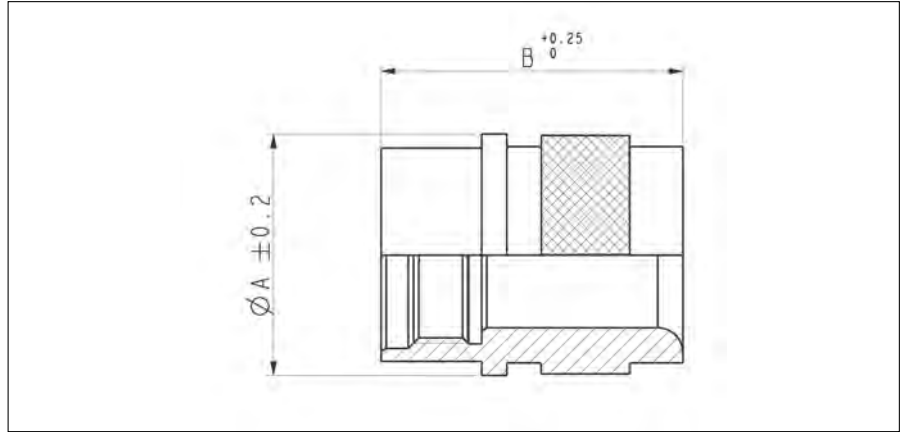


| Part number | Shell size | Ø A ±0.2 | B |
|----------------|------------|----------|------|
| UTG10AD | 10 | 21.0 | 19.2 |
| UTG12AD | 12 | 24.0 | |
| UTG14AD | 14 | 27.0 | |
| UTG16AD | 16 | 30.0 | 21.5 |
| UTG18AD | 18 | 33.3 | 22.8 |
| UTG20AD | 20 | 36.5 | |
| UTG22AD | 22 | 39.7 | |
| UTG24AD | 24 | 42.9 | 21.9 |

Standard plating is anodised black. For tin plating add "T" at the end of the part number e.g. UTG12ADT
For threading specifications see last page of this section "Circular accessories"



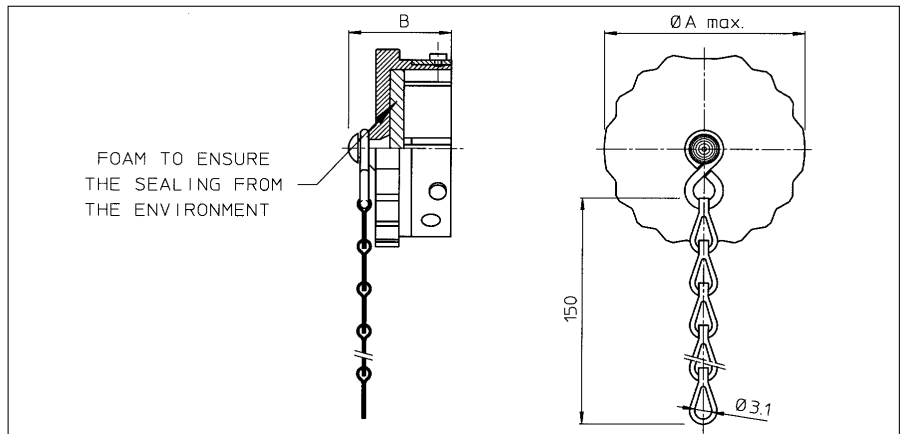
Metal shrink boot adaptor for UTO and UTOW



| Part number | Shell size | $\varnothing A \pm 0.2$ | B |
|-------------|------------|-------------------------|------|
| UT010AD | 10 | 21 | 24.7 |
| UT012AD | 12 | 24 | |
| UT014AD | 14 | 27 | |
| UT016AD | 16 | 30 | 27 |
| UT018AD | 18 | 33.3 | |
| UT020AD | 20 | 36.5 | |
| UT022AD | 22 | 39.7 | |
| UT024AD | 24 | 42.9 | |

For threading specifications see last page of this section "Circular accessories"

Environmental dustcap for plugs (UTG6--DCG)

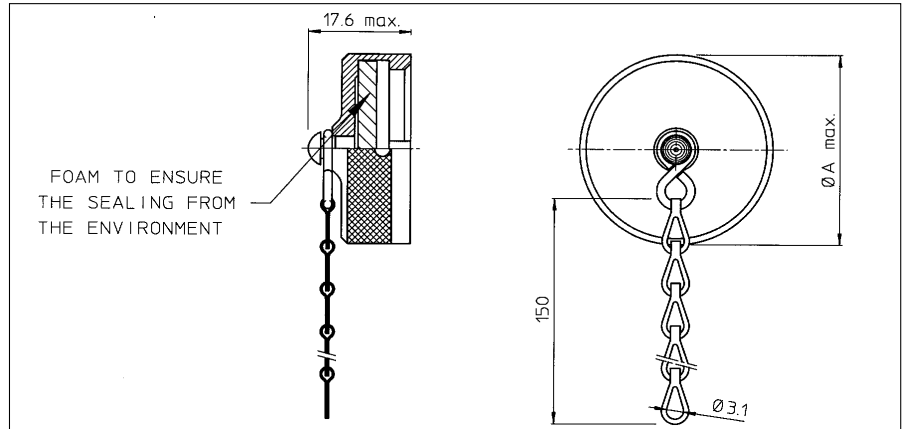
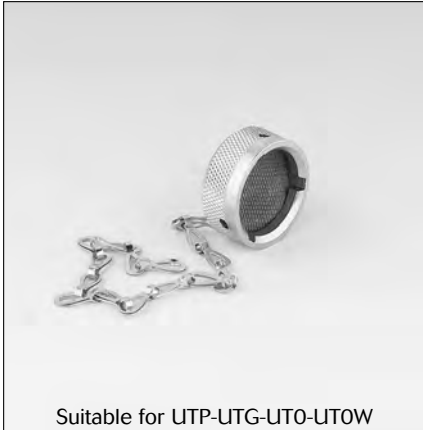


| Part number | Shell size | A max. | B |
|-------------|------------|--------|------|
| UTG610DCG | 10 | 20.0 | 20.8 |
| UTG612DCG | 12 | 24.0 | |
| UTG614DCG | 14 | 27.5 | |
| UTG616DCG | 16 | 30.5 | 22.5 |
| UTG618DCG | 18 | 33.5 | |
| UTG620DCG | 20 | 36.5 | |
| UTG622DCG | 22 | 40.0 | |
| UTG624DCG | 24 | 43.0 | |

For dustcap without chain skip "G" e.g. UTG612DC



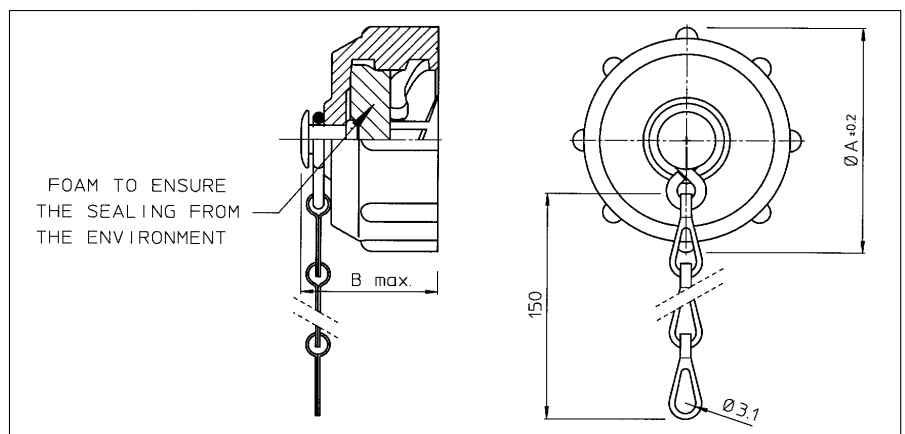
Metal environmental dustcap for receptacles (UT0--DCG)



| Part number | Shell size | A max. |
|-------------|------------|--------|
| UT010DCG | 10 | 20.8 |
| UT012DCG | 12 | 24.9 |
| UT014DCG | 14 | 28.1 |
| UT016DCG | 16 | 31.3 |
| UT018DCG | 18 | 34.4 |
| UT020DCG | 20 | 37.6 |
| UT022DCG | 22 | 40.8 |
| UT024DCG | 24 | 43.9 |

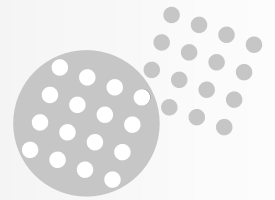
For dustcap without chain skip "G" e.g. UTG12DC
 For jam dustcap consult factory

Plastic environmental dustcap for receptacles (UTP--DCG)

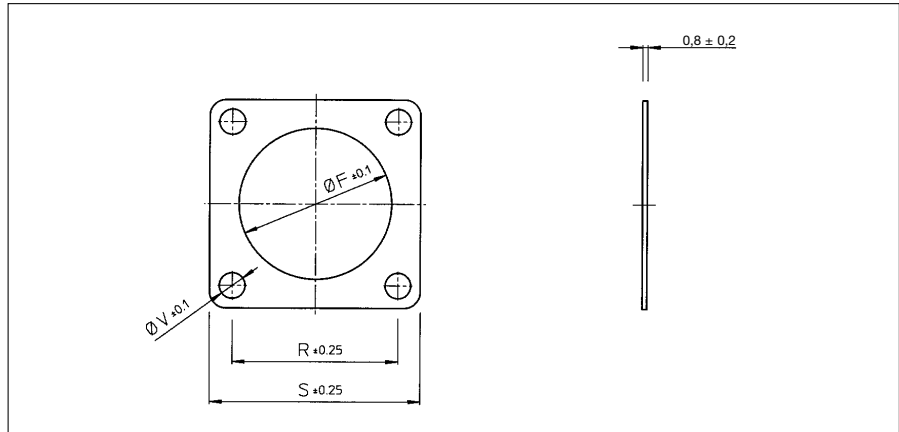


| Part number | Shell size | Ø A ±0.2 | B max. |
|-------------|------------|----------|--------|
| UTP10DCG | 10 | 26.7 | 19.3 |
| UTP12DCG | 12 | 31.4 | 20.0 |
| UTP14DCG | 14 | 34.5 | 20.2 |
| UTP16DCG | 16 | 37.8 | |
| UTP18DCG | 18 | 40.8 | |
| UTP20DCG | 20 | 43.9 | |
| UTP22DCG | 22 | 47.0 | 21.8 |
| UTP24DCG | 24 | 50.1 | |

For dustcap without chain skip "G" e.g. UTP12DC
 For jam dustcap consult factory

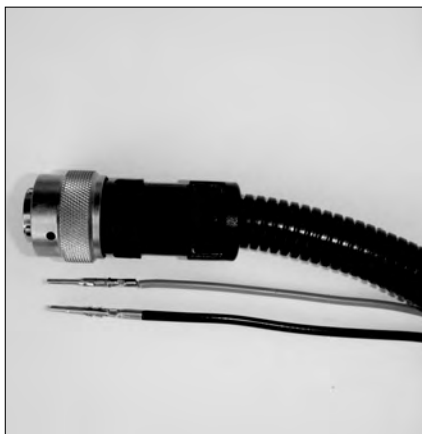


Sealing for wall mounting receptacle (UTFD1-B)



| Part number | Shell size | Ø F ±0.1 | R ±0.25 | S ±0.25 | Ø V |
|-------------|------------|----------|---------|---------|-----|
| UTFD12B | 10 | 15.9 | 18.3 | 23.8 | 3.3 |
| UTFD13B | 12 | 19.0 | 20.6 | 26.2 | |
| UTFD14B | 14 | 22.2 | 23.0 | 28.6 | |
| UTFD15B | 16 | 25.4 | 24.6 | 31.0 | |
| UTFD16B | 18 | 28.6 | 27.0 | 33.3 | |
| UTFD17B | 20 | 31.8 | 29.4 | 36.5 | |
| UTFD18B | 22 | 34.9 | 31.8 | 39.7 | |
| UTFD19B | 24 | 38.1 | 34.9 | 42.9 | 4.0 |

Adaptors for flexible cable protection systems (conduits)



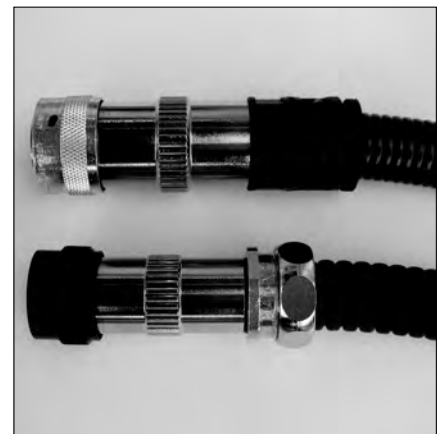
Adaptors for flexible cable protections systems that fit to the TRIM TRIO circular connectors are available from cable protection systems manufacturers (e.g. PMA).

2 solutions are offered:

- UNEF Adaptors that fit directly onto the connectors (left picture)
- METRIC Adaptors that fit onto the metal cable clamp tubes as indicated on pages 43 and 44 (right picture)

These types of adaptors offer extra protection to single wire applications (electrical, coax, Fibre optic ... etc.)

Note: the adaptors are not available from Souriau. They must be ordered directly from the manufacturers



Cable gland threadings used on cable clamps

| Shell size | Thread size on connectors | PG threading | Metric threading |
|------------|---------------------------|--------------|------------------|
| 10 | 9/16 - 24 UNEF | PG9 | M16 x 1.5 |
| 12 | 11/16 - 24 UNEF | PG11 | M20 x 1.5 |
| 14 | 13/16 - 20 UNEF | PG13.5 | M20 x 1.5 |
| 16 | 15/16 - 20 UNEF | PG16 | M25 x 1.5 |
| 18 | 1-1/16 - 18 UNEF | PG16 | M25 x 1.5 |
| 20 | 1-3/16 - 18 UNEF | PG21 | M32 x 1.5 |
| 22 | 1-5/16 - 18 UNEF | PG21 | M32 x 1.5 |
| 24 | 1-7/16 - 18 UNEF | PG29 | M32 x 1.5 |