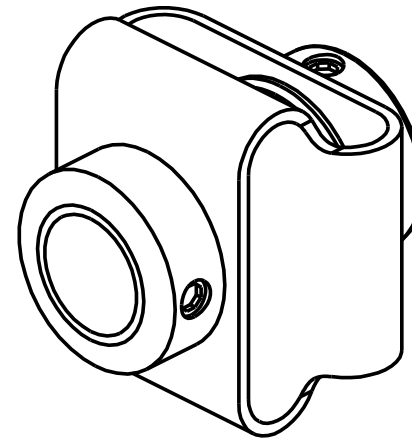
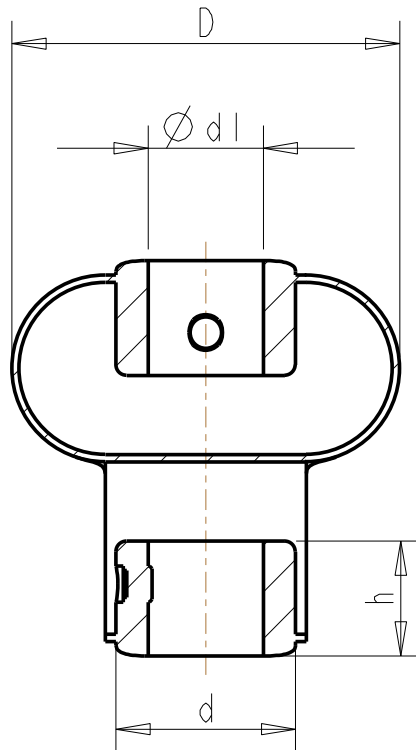
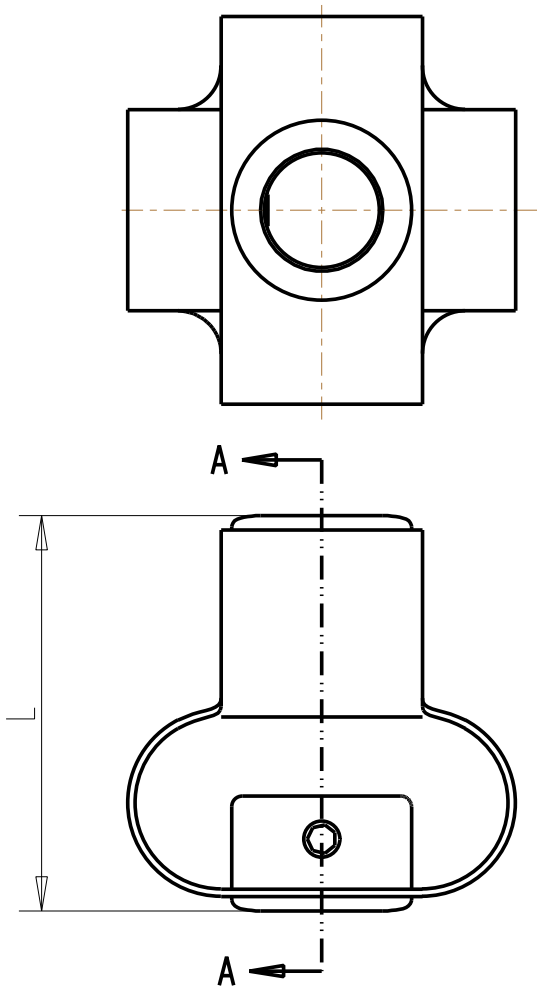
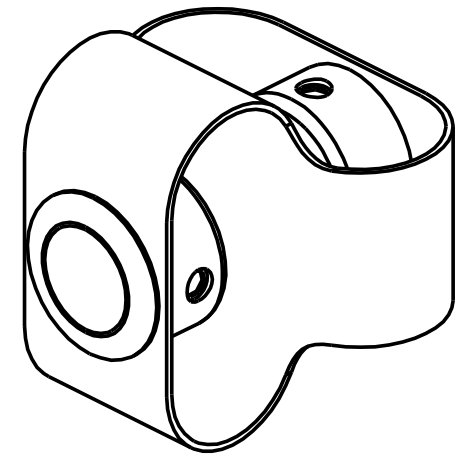


# Double loop Couplings with Steel & Stainless Steel Hub



Size - 10



Size - 20,30,40

SECTION A-A

All Dimensions in mm

NOT TO SCALE

\* For Stainless Steel 0.49.20  
the Bore max is 12.7

Ref. No. Stainless Steel	Ref. No. Steel	$\phi$ D (max)	d1	L	h	Screw
049.10	047.10	27	9.53	27	7.90	M3
049.20	047.20	48	* 12.00	48	12.70	M4
049.30	047.30	54	16.00	55	16.00	M5
049.40	047.40	56	16.00	56	16.0	M6