

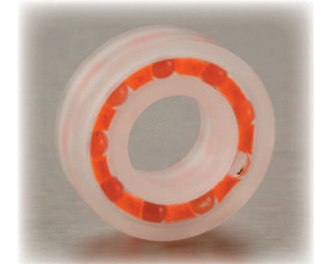
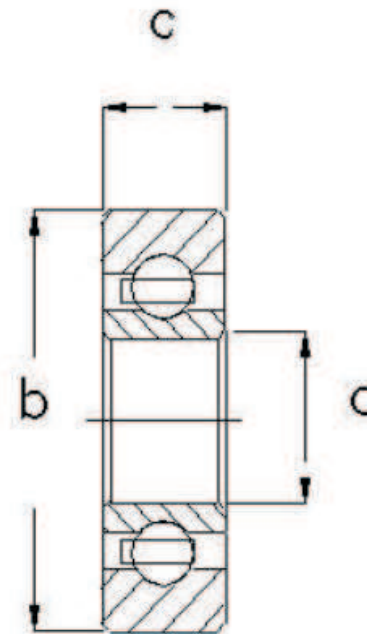
Standard Product Programme



Caged Radial Bearings – Metric Sizes

| Reference | a | b | c | Load Capacity kg |
|-----------|----|----|----|------------------|
| CM624 | 4 | 13 | 5 | 2 |
| CM625 | 5 | 16 | 5 | 4.5 |
| CM606 | 6 | 17 | 6 | 4.5 |
| AC626Z | 6 | 19 | 6 | 5 |
| CM626 | 6 | 19 | 6 | 7 |
| CM607 | 7 | 19 | 6 | 3.5 |
| CM627 | 7 | 22 | 7 | 9 |
| AC608Z | 8 | 22 | 7 | 8 |
| CM608 | 8 | 22 | 7 | 8 |
| CM609 | 9 | 24 | 7 | 8 |
| CM629 | 9 | 26 | 8 | 5 |
| CM6000 | 10 | 26 | 8 | 8 |
| CM6200 | 10 | 30 | 9 | 8 |
| CM6300 | 10 | 35 | 11 | 9 |
| CM6001 | 12 | 28 | 8 | 13 |
| CM6201 | 12 | 32 | 10 | 13 |
| CM6301 | 12 | 37 | 12 | 20 |
| CM6002 | 15 | 32 | 9 | 12 |
| CM16002 | 15 | 32 | 8 | 12 |
| CM6202 | 15 | 35 | 11 | 23 |
| CM6302 | 15 | 42 | 13 | 15 |
| CM16003 | 17 | 35 | 8 | 15 |
| CM6203 | 17 | 40 | 12 | 23 |
| CM16004 | 20 | 42 | 8 | 15 |
| CM6004 | 20 | 42 | 12 | 25 |
| CM6204 | 20 | 47 | 14 | 35 |
| CM16005 | 25 | 47 | 8 | 28 |
| CM6005 | 25 | 47 | 12 | 28 |
| CM6205 | 25 | 52 | 15 | 28 |

CM6305 - SEE MF6305 FULL COMPLEMENT BEARINGS



acetal races fitted with either stainless steel 316 or polished glass balls