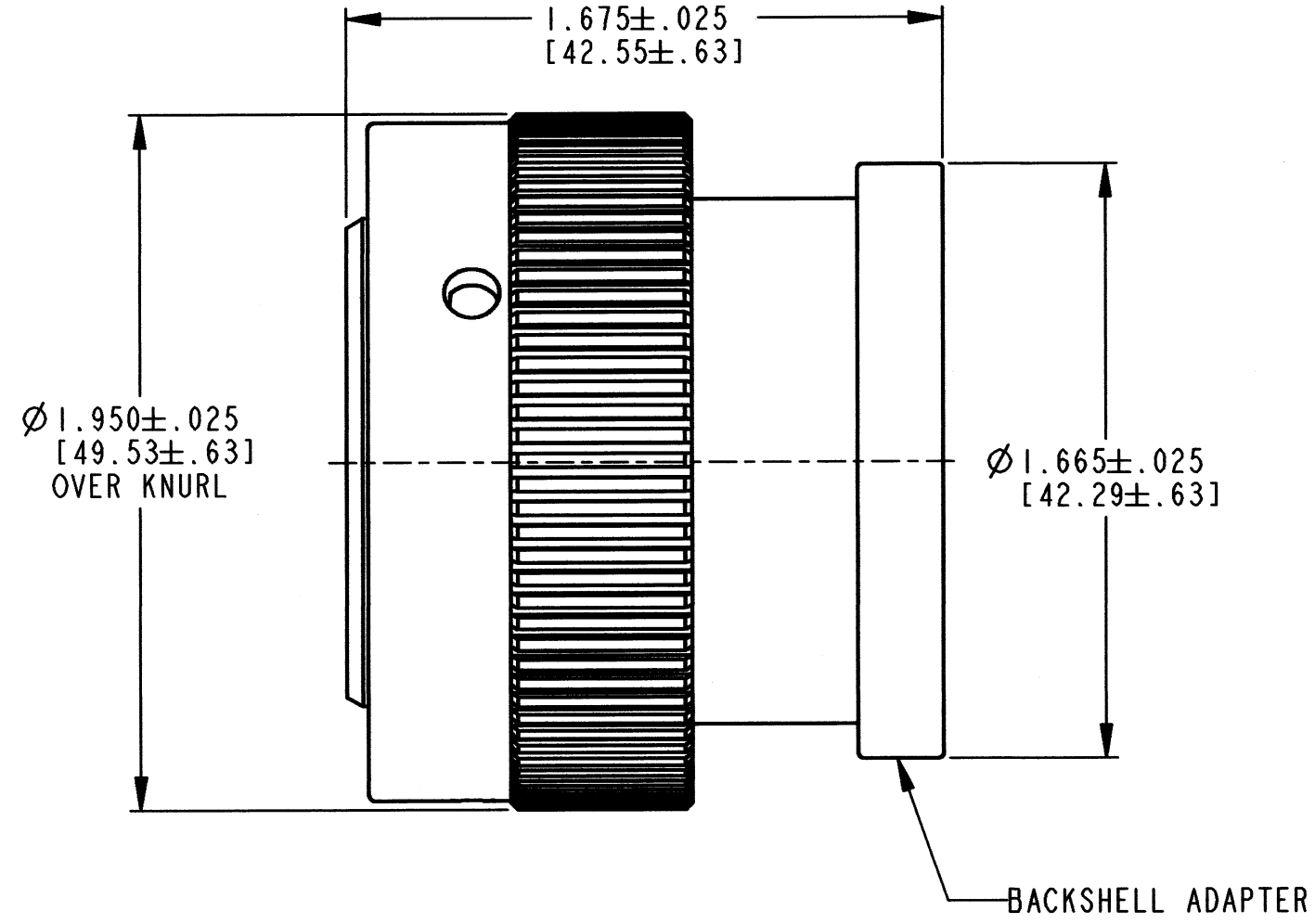
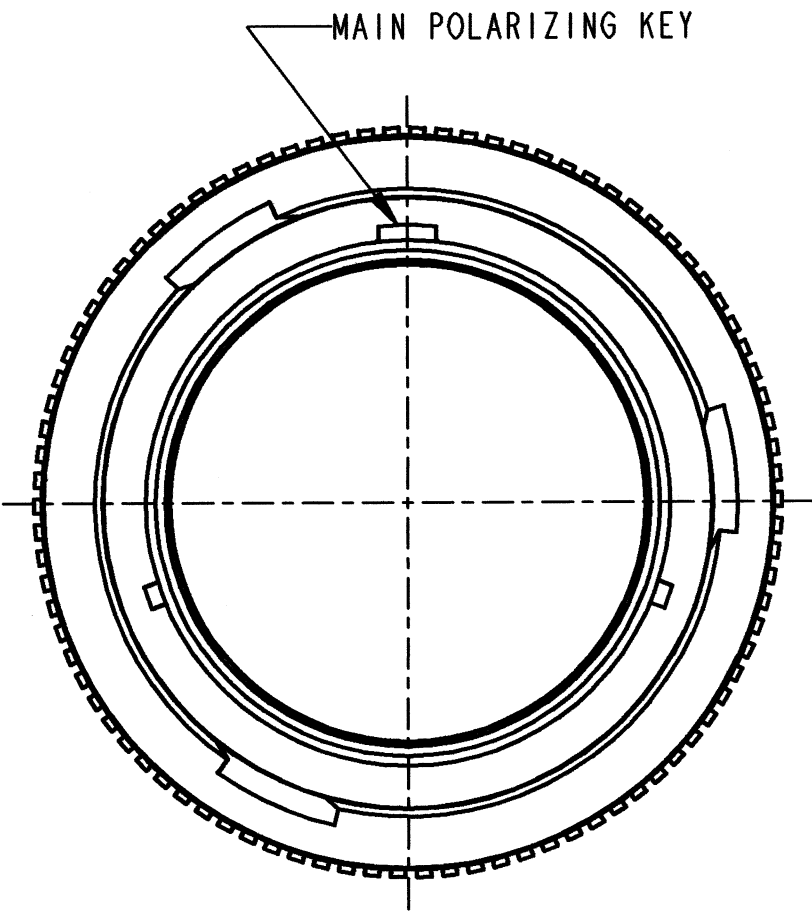


REV B HDP26-24\* \*P/S\*-L017

REVISIONS			
SYM	DESCRIPTION	DATE	APPROVED
NC	NEW RELEASE PER E.O. P15607	5/15/98	R.D.R.
A	REVISED PER E.O. P15939	4/6/99	R.D.R.
B	REVISED PER E.O. P20700	11-9-10	RDR




- 7. PART NUMBER INFO: \*\*=ARRANGEMENT; \*=SEAL TYPE.
- 6. THIS PART MATES WITH HDP24-24-\*\*P/S\*-\*\*\*\*\* (\*\*\*\*\*=ALL MODIFICATIONS).
- 5. THIS CONNECTOR ACCEPTS BACKSHELL P/N 2428-004-2405.
- 4. FOR CONTACTS AND WIRE PERFORMANCE AND APPLICATION CHARACTERISTICS SEE ENVELOPE DWG. 0425-015-0000 AND 0425-021-0000.
- 3. ALL DIMENSIONS ARE INCHES [MILLIMETERS].
- 2. BACKSHELL ADAPTER COLOR REFLECTS WIRE SEAL DIAMETER. (GREEN='N' SEAL; GREY='T' SEAL; BLUE='E' SEAL)
- 1. CONSULT FACTORY FOR ELECTRICAL AND MATERIAL SPECIFICATIONS.

NOTES:

SIGNATURE & DATE	
DR	R. OCHOA 3-24-99
CHK	<i>[Signature]</i> 11/09/10
PE	<i>[Signature]</i> 11/09/10
APPD	<i>[Signature]</i> 11-8-10
SCALE	NONE
WT	

PLASTIC PLUG  
CONNECTOR  
BAYONET COUPLING  
HDP SERIES  
-L017 MOD

ENVELOPE

EP	MATL. CODE
 3850 INDUSTRIAL AVE. HEMET, CA 92545 <b>DEUTSCH</b> INDUSTRIAL	
<b>B HDP26-24* *P/S*-L017</b>	
DWG SIZE	CODE 11139 SHEET   OF