

M12 FEMALE 90° SELF WIREABLE SCREW TERMINAL

5-pol.max.0,75mm², 4-8mm cable diameter

Female 90°

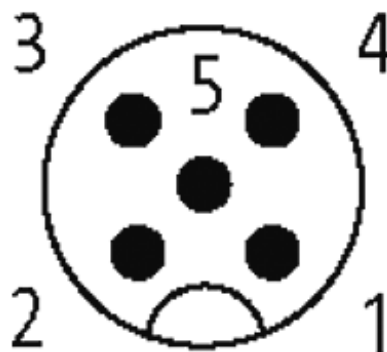
5-pole

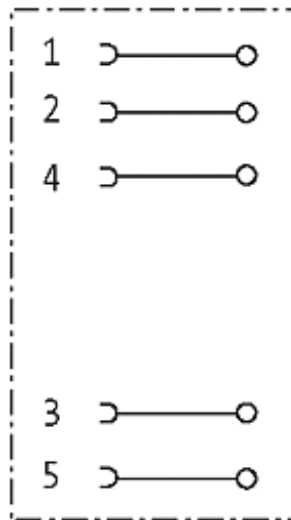
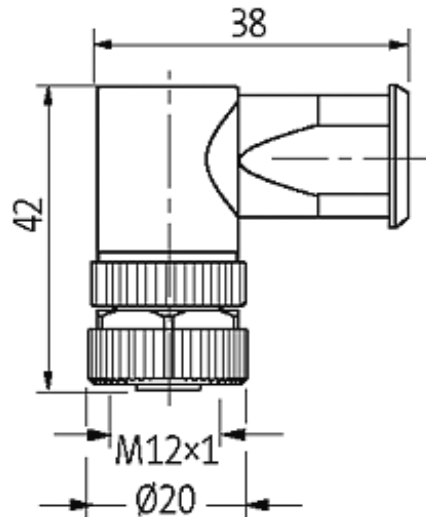
Clamping range cable entry: 4...8 mm

Plastic housings with good resistance against chemicals and oils. The resistance to aggressive media should be individually tested for your application. Further details on request.

[Link to Product](#)**Illustration**

Female





Product may differ from Image

Form

13011

Technical Data

Operating voltage	max. 60 V AC/DC
Operating current per contact	max. 4 A
Connection cross section	0.14...0.75 mm ²
Sealing range (cable diameter)	4...8 mm
Locking of ports	Screw thread M12 × 1 mm (recommended torque 0.6 Nm) self-securing
Protection	IP67 inserted and tightened (EN 60529)

General data

Temperature range	-30...+85 °C
-------------------	--------------

Commercial data

country of origin	DE
customs tariff number	85369010

minimum order quantity

1