

MATERIAL :

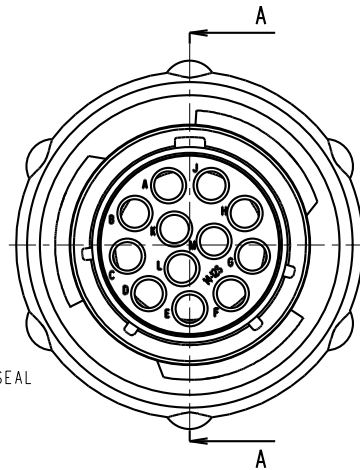
Coupling Nut: Polyamid UL94 V-0
 Inset: Polyamid UL94 V0
 Backshell body : Polyamid UL94 V-0
 Backshell nut: Polyamid UL94 V-0
 Shell : Polyamid UL94 V-0
 Coupling spring : Stainless steel
 O' seal : Nitril

PERFORMANCE CHARACTERISTICS :

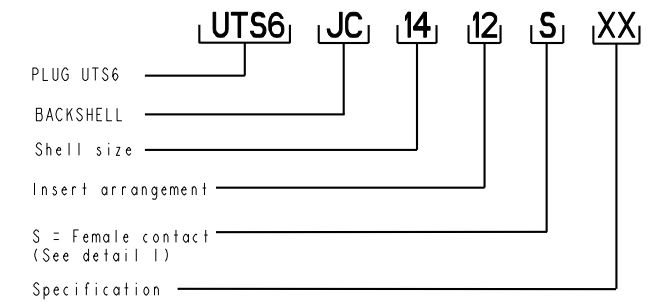
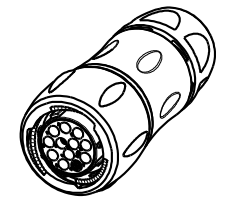
Operating temperature: -40°C up to 105°C
 Insulation resistance: 5000 MΩmin
 Test potential: 2000 Vrms for #16 layout
 Corrosion salt spray: 500 hours
 Durability: 250 matings and unmatings
 Sealing in mated conditions:
 -IP68 1 bar during 1 week : immersion under 10 m of water.
 (IEC 60529)
 -IP69K : exposure to high pressure water of cleaning equipment (DIN 40050)

NOTES :

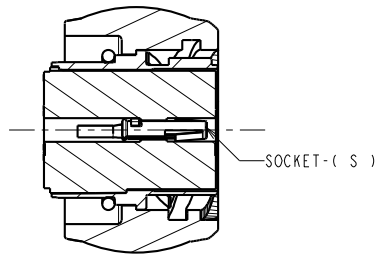
- 1- Plug, backshell and the reducing seal are delivered as a kit. The backshell already includes the standard seal.
- 2- Contact to be ordered separately: refer to TRIM TRIO catalog
- 3- Colored ring to be ordered separately refer to customer drawing C006-UTSI-A



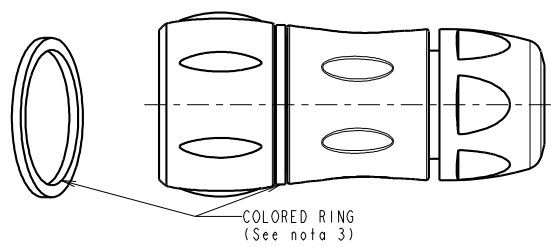
SHELL SIZE	Ø A MAX	B MINI	CAPACITY C		HEXAGON D	E MAX
			STANDARD	REDUCING SEAL		FEMALE
14	35.1	71.5	7 / 14	5 / 12	26	36



FEMALE CONNECTOR
(Detail 1)



OPTIONAL PART



CUSTOMER DRAWING

b	25/01/10	--	Add view	--
ISS	DATE	Latest modification by: RAGAINÉ M.		MOD N°
Designed by: RAGAINÉ M.		Date: 25/11/08	Type of drawing: CUSTOMER	
Checked by: SEE DISTRIBUTION LIST		Date: SEE DISTRIBUTION LIST		
TITLE		CABLE PLUG + BACKSHELL UTS CONNECTOR		
Scale	General angular Tolerances: ±	MATERIAL		
3/1		--		
General linear Tolerances ±0.2	General machining surface texture	Geometrical Tolerances See NF E 04-552	PROJECT	
			SAMSUNG	
	SOURIAU Route Nationale 23 72410 CHAMPAGNE Tel. (33)02.43.54.35.00		This document is the property of SOURIAU. It must not be reproduced or communicated without permission.	
	FORMAT	SOURIAU DRG N°		SHEET
A2	C065-UTSI-A		1 / 1	