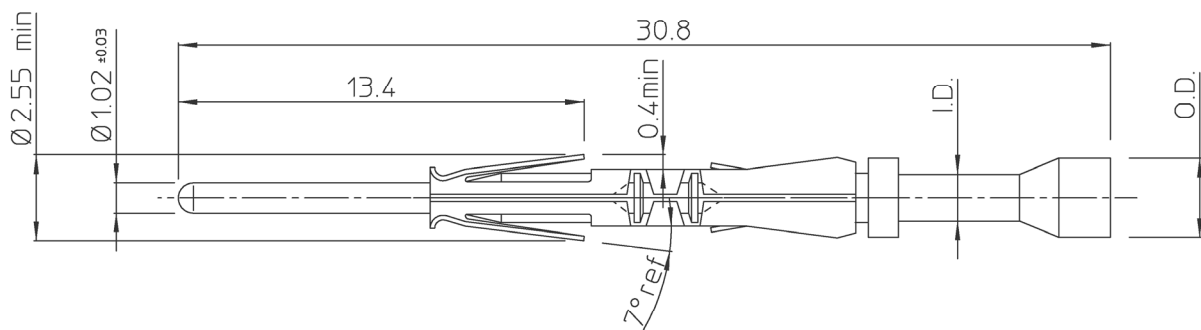


DIT IS ONZE EIGENDOM EN MAG NOCH NAGEMAAKT, HERDRUKT, OVERGEMAAKT AAN DERDEN, NOCH VOOR FABRIKATIE GEBRUIKT WORDEN, ZONDER ONZE SCHRIFTELIJKE TOELATING. BIJ NIET GEBRUIK IS DE TERUGZENING VERPLICHT.

THIS IS OUR EXCLUSIVE PROPERTY. IT IS NOT TO BE COPIED, REPRINTED OR DISCLOSED TO A THIRD PARTY, NOR USED FOR MANUFACTURING WITHOUT OUR WRITTEN CONSENT, AND HAS TO BE RETURNED TO US IN CASE OF NO USAGE

BS, A , 202682, 001, 02

REV.	DATE	DESCRIPTION	BY	C'K'D'



CAT. NR.	WIRE SIZE		WIRE STRIP LENGTH	O.D.	I.D.	EXTRACTION TOOL
	AWG	MM2				
RM24W3*	26-24	0,13-0,20	4,8	2,6	1,50	RX20D44
RM20W3*	22-20	0,32-0,52	4,8	2,6	1,83	RX20D44

NOTES :

CONTACTS SUITABLE FOR UTGW AND 8GN-14POS CONNECTORS.

MATERIAL :

CONTACT BODY : BRASS
 PLATING : J=GOLD FLASH OVER NICKEL
 K=0,4μ GOLD OVER NICKEL
 N=0,75μ GOLD OVER NICKEL
 L=1,10μ GOLD OVER NICKEL
 M=1,75μ GOLD OVER NICKEL
 T=3-5μ TIN OVER NICKEL
 RETAINING SPRING : STAINLESS STEEL

PERFORMANCE CHARACTERISTICS :

CONTACT RETENTION IN BODY : 40N MIN
 INDIVIDUAL INSERTION FORCE : 3,5 N MAX
 INDIVIDUAL WITHDRAWAL FORCE : 0,55N MIN
 CONTACT RESISTANCE : 6 mOhm MAX
 CURRENT RATING : 7,5 A
 OPERATING VOLTAGE : 750V RMS

GEN. ST.	01	02	03	04	05	06	07	08	0D	50	60	70	80	90																	
INT. ST.	10	11	12	13	14	18	20	31	32	33	34	38	39	40	42	43	44	45	46	48	56	70	72	73	75	76	81	82	83	84	88

1DEC ±0,2 1DEC 2DEC ±0,1 2DEC ANGLES ±1° HOEKEN	APPR.	DATE	SIGN.	MALE MACHINED SEALOK CONTACT
WE RESERVE THE RIGHT TO CHANGE DIMENSIONS OR REQUIREMENTS WITHOUT PRIOR NOTICE.	DRAFT	23-09-99	K.Nietvelt	CAT. No. RM--W3K
ALL DIMENSIONS IN MM 	PROD. MGR.			 SOURIAU Route Nationale 23 72470 CHAMPAGNE
ALLE AFMETINGEN IN MM	PR. ENG. MGR.			
	PR. MGT. MGR.			REFERENCES / REFERENTIES BS, A , 202682, 001, 02 DRAWING NR. CUSTOMER DRAWING