

Backshells by Amphenol Socapex

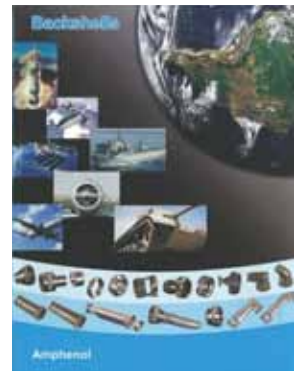
For LJT, RNJ, RNJ LP, TV-CTV, SC39 and SJT Connectors
For MIL-DTL-38999 Series I, II, III, EN3645 and VG96912 Connectors



Amphenol



For **AS85049 Backshells**,
please consult our complete
catalog "Amphenol Backshell"



Connecting people + technology

www.amphenol-socapex.com

TABLE OF CONTENTS

GENERAL CHARACTERISTICS.....	3
STRAIN RELIEFS	4
LJT/TV strain reliefs	4
SJT strain reliefs	5
BACKSHELLS FOR SHIELDING	6
LJT NSA and TV NSA	6
BAND BACKSHELLS FOR SHIELDING	8
HE308-35 and TV35 backshells.....	8
SBC backshells	10
M85049 band backshells.....	12
CONNECTORS WITH INTEGRATED BACKSHELLS	13
Integrated backshells for TV	13
Integrated backshells for LJT.....	14
ADAPTERS FOR HEAT-SHRINK MOULDED PIECES.....	15
NSD backshells.....	15
ADAPTERS FOR SEALING GLAND.....	16
Metric sealing gland straight version.....	16
Metric sealing gland 105° angled version	17
COMPOSITE BACKSHELLS.....	18
CTV35/ABS2216	18
HEAT-SHRINK MOULDED PIECES.....	19
TORQUE VALUE FOR REAR ACCESSORIES	20
CROSS REFERENCES.....	20

GENERAL CHARACTERISTICS

MAIN FEATURES

- **Shell material**
 - Aluminium alloy
 - Marine bronze
 - For composite, please consult us
- **Finish**
 - Olive drab cadmium plating
 - Electroless nickel plating
 - Green zinc cobalt plating
 - Black zinc nickel plating
 - For others, please consult us
- **9 shell sizes per model**
- **Straight or right angled versions**
- **Working temperature**
 - From -65°C to $+175^{\circ}\text{C}$ with olive drab cadmium plating, green zinc cobalt plating and black zinc nickel plating
 - From -65°C to $+200^{\circ}\text{C}$ with electroless nickel plating

For specific backshells for marine applications and 217 backshells, please consult us.

DESCRIPTION

You will find hereafter Amphenol Socapex backshells for LJT (MIL-DTL-38999 Series I / HE308), RNJ (HE308), RNJ LP, TV-CTV (MIL-DTL-38999 Series III), SC39 and SJT (VG96912) connectors. These rear accessories enhance the performance capabilities of the connectors for both general duty and severe environment applications.

Different technologies are used in order to ensure the following functions:

- **EMI shielding**
- **cable retention**
- **sealing**

This large choice of rear accessories provides you with the right solution for your connector/backshell interconnection.

APPLICATIONS

Military and aeronautic applications: battlefields, ground vehicles, aircrafts.

Advanced industrial applications with specific climatic, mechanical or electrical requirements.



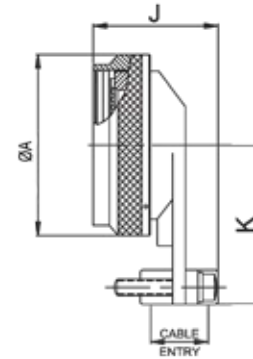
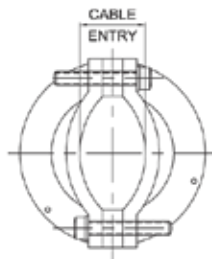
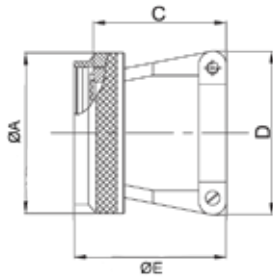
STRAIN RELIEFS

These backshells ensure a mechanical retention of the cable.

LJT/TV STRAIN RELIEFS

M85049/49-2 strain relief and M85049/47 (90° angled versions) suitable for LJ (MIL-DTL-38999 Series I / HE308) and RNJ (HE308) connectors.

M85049/38 strain relief and M85049/39 (90° angled versions) suitable for TV-CTV (MIL-DTL-38999 Series III), SC39 and RNJ LP connectors.



Size	LJT	TV	Ø A max mm (in)	C max mm (in)	D max mm (in)	E max mm (in)	Cable Entry		J		K mm (in)
	Thread for M85049/49-2 UNEF-2B	Thread for M85049/38 Metric					mm (in)		mm (in)		
							min	max	for M85049/47	for M85049/39	
09	.4375-28	M12 x 1.0 - 6H	19.05 (0.75)	23.11 (0.91)	21.59 (0.85)	27.94 (1.10)	2.49 (0.10)	5.94 (0.23)	35.05 (1.38)	33.27 (1.31)	25.40 (1.00)
11	.5625-24	M15 x 1.0 - 6H	21.59 (0.85)	23.11 (0.91)	22.86 (0.90)	27.94 (1.10)	3.89 (0.15)	5.94 (0.23)	35.05 (1.38)	33.27 (1.31)	27.94 (1.10)
13	.6875-24	M18 x 1.0 - 6H	25.40 (1.00)	25.65 (1.01)	27.94 (1.10)	30.48 (1.20)	4.83 (0.19)	8.33 (0.33)	37.08 (1.46)	38.35 (1.51)	27.94 (1.10)
15	.8125-20	M22 x 1.0 - 6H	27.94 (1.10)	26.92 (1.06)	29.21 (1.15)	31.75 (1.25)	6.60 (0.26)	11.61 (0.46)	41.4 (1.63)	39.37 (1.55)	31.75 (1.25)
17	.9375-20	M25 x 1.0 - 6H	31.75 (1.25)	29.46 (1.16)	33.02 (1.30)	34.44 (1.36)	7.19 (0.28)	15.60 (0.61)	45.72 (1.80)	43.43 (1.71)	33.02 (1.30)
19	1.0625-18	M28 x 1.0 - 6H	35.56 (1.40)	35.81 (1.41)	38.10 (1.50)	40.64 (1.60)	8.26 (0.33)	16.10 (0.63)	46.23 (1.82)	45.97 (1.81)	34.29 (1.35)
21	1.1875-18	M31 x 1.0 - 6H	38.10 (1.50)	38.35 (1.51)	40.64 (1.60)	43.21 (1.70)	8.71 (0.34)	17.73 (0.70)	48.26 (1.90)	49.53 (1.95)	40.64 (1.60)
23	1.3125-18	M34 x 1.0 - 6H	41.91 (1.65)	42.16 (1.66)	43.18 (1.70)	46.99 (1.85)	9.68 (0.38)	20.90 (0.82)	51.82 (2.04)	53.34 (2.10)	44.45 (1.75)
25	1.4375-18	M37 x 1.0 - 6H	44.45 (1.75)	44.70 (1.76)	45.72 (1.80)	49.56 (1.95)	10.62 (0.42)	21.67 (0.85)	54.61 (2.15)	56.13 (2.21)	46.99 (1.85)

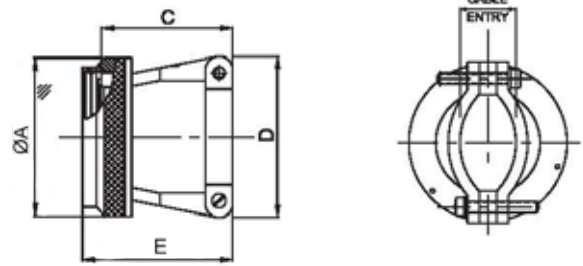
HOW TO ORDER

SAE-85049 designation - Backshells for LJ (MIL-DTL-38999 Series I/HE308) and TV/CTV (MIL-DTL-38999 Series III), SC39 and RNJ LP connectors

Series	M85049/	49-2	12	W
Type of strain relief				
49-2:				
47:				
38:				
39:				
Size of backshell				
08-10-12-14-16-18-20-22-24				
09-11-13-15-17-19-21-23-25				
Finish				
W:				
N:				

SJT STRAIN RELIEFS

SJT strain reliefs suitable for SJT (VG 96912) connectors.



Size	ØA max mm (in)	C max mm (in)	D max mm (in)	E max mm (in)	Cable entry mm (in)	
					min	max
08	19.05 (0.750)	23.11 (0.910)	21.59 (0.850)	27.94 (1.100)	2.49 (0.098)	5.94 (0.234)
10	21.59 (0.850)	23.11 (0.910)	22.86 (0.900)	27.94 (1.100)	3.89 (0.153)	5.94 (0.234)
12	25.40 (1.000)	25.65 (1.010)	27.94 (1.100)	30.48 (1.200)	4.83 (0.190)	8.33 (0.328)
14	27.94 (1.100)	26.92 (1.060)	29.21 (1.150)	31.75 (1.250)	6.60 (0.260)	11.61 (0.457)
16	31.75 (1.250)	29.46 (1.160)	33.02 (1.300)	34.44 (1.356)	7.19 (0.283)	15.60 (0.614)
18	35.56 (1.400)	35.81 (1.410)	38.10 (1.500)	40.64 (1.600)	8.26 (0.325)	16.10 (0.634)
20	38.10 (1.500)	38.35 (1.510)	40.64 (1.600)	43.21 (1.701)	8.71 (0.343)	17.73 (0.698)
22	41.91 (1.650)	42.16 (1.660)	43.18 (1.700)	46.99 (1.850)	9.68 (0.381)	20.90 (0.823)
24	44.45 (1.750)	44.70 (1.760)	45.72 (1.800)	49.56 (1.951)	10.62 (0.418)	21.67 (0.853)

HOW TO ORDER

Amphenol designation - Backshells for SJT (VG96912)

Series	BS1	SR	M	12	99	9	X	W
Type of backshell								
SR: straight cable clamp with spin coupling								
Connector group								
M: SJT								
Size of backshell 08-10-12-14-16-18-20-22-24 (same as connector size)								
Entry size								
99: standard								
Length								
9: standard								
Constant								
X								
Finish								
W: olive-drab cadmium plating								
N: electroless nickel plating								

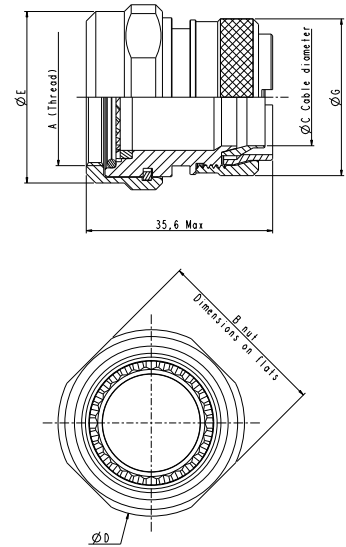
BACKSHELLS FOR SHIELDING

NSA and SA backsells ensure the shielding by clamping the braid with a screwing system. The free inner ring avoids twisting of the braid during screwing.

LJT NSA & TV NSA

LJT NSA (HE308-13) suitable for LJT (MIL-DTL-38999 Series I / HE308), RNJ (HE308) and SJT (VG96912) connectors.
TV NSA suitable for TV-CTV (MIL-DTL-38999 Series III), SC39 and RNJ LP connectors.

Size	LJT	TV	B max mm (in)	Ø C max mm (in)	Ø D max mm (in)	Ø E max mm (in)	Ø G max mm (in)
	A Thread UNEF-2B	A Thread Metric					
09	.4375-28	M12 x 1.0 - 6H	17 (0.669)	6.9 (0.272)	19.1 (0.752)	15.2 (0.598)	16.5 (0.650)
11	.5625-24	M15 x 1.0 - 6H	21 (0.827)	9.6 (0.378)	23.1 (0.909)	18.2 (0.717)	19.4 (0.764)
13	.6875-24	M18 x 1.0 - 6H	26 (1.024)	12.7 (0.500)	28.1 (1.106)	21.2 (0.835)	22.6 (0.890)
15	.8125-20	M22 x 1.0 - 6H	29 (1.142)	14.8 (0.583)	31.1 (1.224)	25.1 (0.988)	25.8 (1.016)
17	.9375-20	M25 x 1.0 - 6H	32 (1.260)	17.9 (0.705)	34.1 (1.343)	28.1 (1.106)	29.0 (1.142)
19	1.0625-18	M28 x 1.0 - 6H	36 (1.417)	19.9 (0.784)	38.1 (1.500)	31.1 (1.224)	32.0 (1.260)
21	1.1875-18	M31 x 1.0 - 6H	39 (1.535)	23.1 (0.909)	41.1 (1.618)	34.1 (1.343)	35.2 (1.386)
23	1.3125-18	M34 x 1.0 - 6H	42 (1.654)	26.2 (1.032)	44.1 (1.736)	36.9 (1.453)	38.4 (1.512)
25	1.4375-18	M37 x 1.0 - 6H	45 (1.772)	28.8 (1.134)	49.1 (1.933)	39.9 (1.571)	41.5 (1.634)



HOW TO ORDER

Amphenol designation - Backshells for LJT (MIL-DTL-38999 Series I / HE308), RNJ (HE308) and SJT (VG96912) connectors

HE 308 military designation - Backshells for HE308 (LJT / MIL-DTL-38999 Series I / RNJ) connectors

Series LJT NSA 11 014

Type of backshell
NSA: screened clamping braid backshell accepting heat shrink moulded piece

Size of backshell 09-11-13-15-17-19-21-23-25
 for LJT connectors: same as connector size
 for SJT (G)06 and 00 connectors: add 1 on your connector size
 for SJT07 sizes 8 to 22 connectors: add 3 on your connector size
 Consult us for SJT07 size 24 connector

Finish
014: olive-drab cadmium plating
023: electroless nickel plating
024: green zinc cobalt plating
033K: black zinc nickel plating

Series HE308 13 15 7 M

Type of backshell
13: screened clamping braid backshell heat shrink moulded piece

Size of backshell 09-11-13-15-17-19-21-23-25
 (same as connector size)

Finish
07: olive-drab cadmium plating
06: electroless nickel plating

Military standard

Amphenol designation – Backshells for TV-CTV (MIL-DTL-38999 Series III), SC39 and RNJ LP connectors

Series TV NSA 11 014

Type of backshell
NSA: screened clamping braid backshell accepting heat shrink moulded piece

Size of backshell 09-11-13-15-17-19-21-23-25 (same as connector size)

Finish
014: olive-drab cadmium plating
023: electroless nickel plating
024: green zinc cobalt plating
033K: black zinc nickel plating

ASSEMBLY INSTRUCTIONS FOR NSA AND SA BACKSHELLS

1. Prepare the cable for termination process and slide onto the cable the items in the order shown on figure 1.
2. Screw the backshell at the rear of the connector. The best performance in time of the system « connector + rear accessory » consists in applying the torque value to screw then to unscrew, to apply the torque value to screw a second time, then to unscrew and finally to screw the torque value a third time.
3. Fold back the braid on the outer jacket and fix it (figure 2)
4. Install the braid as shown on figures 3 and 4: Release the braid and cover the backshell (a) and the connector's shell. Slide the first ring (b) over the braid. Fold back the braid on the ring (b) and slide the second ring (c) over the braid and the first ring (b). Screw the last ring (d) at the rear of the backshell. If necessary, fix the extra braid on the outer jacket of the cable. If this installation (double folding of the braid) is not possible, refer to figure 5: Slide the first ring (b). Release the braid and cover the backshell (a) and the connector's shell. Cut the braid as shown. Slide the second ring (c) over the braid and the first ring (b). Screw the last ring at the rear of the backshell.
5. Install the heat-shrink moulded piece.

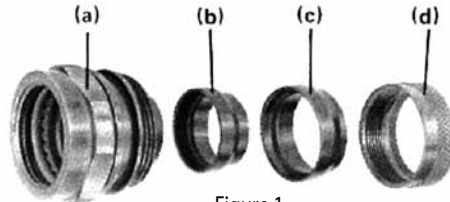


Figure 1



Figure 2

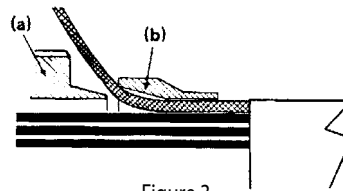


Figure 3

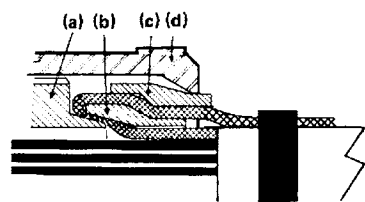


Figure 4

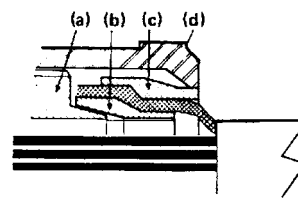


Figure 5

BAND BACKSHELLS FOR SHIELDING

These band backsells provide a full 360° shield termination. They are available with different cabling chamber lengths and exit diameters. The use of replaceable bands facilitates future maintenance or reparability. Sealing is ensured by straight or right angled heat shrink moulded piece at the rear of backshell.

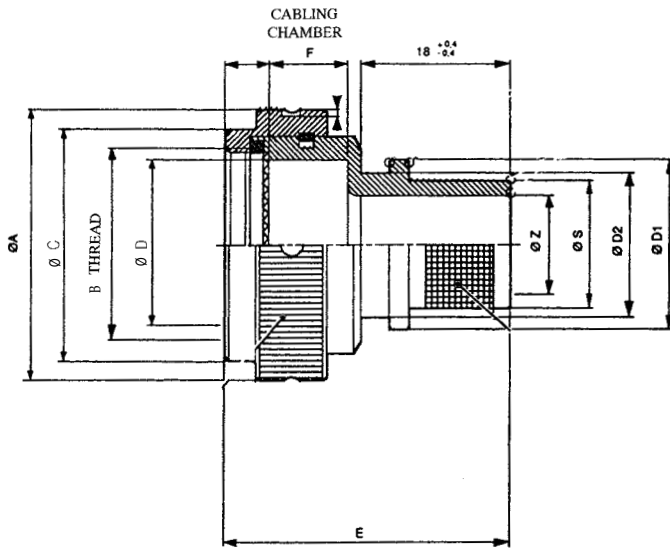
HE308-35 AND TV35 BACKSHELLS

HE308-35 suitable for LJT (MIL-DTL-38999 Series I / HE308), RNJ (HE308) connectors.

TV35 suitable for TV-CTV (MIL-DTL-38999 Series III), SC39 and RNJ LP connectors.

TVB35 suitable for TV bronze connectors.

These straight band backsells provide a full 360° shield termination with a quick, easy and cost effective cabling process. For straight or right angled heat shrink moulded pieces, please refer to page 22.



Size	HE308-35				TV35/TVB35			
	Ø A max mm (in)	B Thread UNEF-2B	Ø C mm (in)	Ø D mm (in)	Ø A max mm (in)	B Thread Metric	Ø C mm (in)	Ø D mm (in)
09	21.40 (0.843)	0.4375-28	15.20 (0.598)	7.80 (0.307)	24.30 (0.957)	M12 x 1.0-6H	18.00 (0.709)	7.80 (0.307)
11	24.30 (0.957)	0.5625-24	18.40 (0.724)	10.80 (0.425)	27.40 (1.079)	M15 x 1.0-6H	21.00 (0.827)	10.99 (0.433)
13	27.40 (1.079)	0.6875-24	21.60 (0.850)	13.10 (0.516)	31.80 (1.252)	M18 x 1.0-6H	25.00 (0.984)	13.80 (0.543)
15	31.80 (1.252)	0.8125-20	24.80 (0.976)	16.30 (0.642)	35.00 (1.378)	M22 x 1.0-6H	28.00 (1.102)	16.30 (0.642)
17	35.00 (1.378)	0.9375-20	28.00 (1.102)	19.50 (0.768)	38.10 (1.500)	M25 x 1.0-6H	30.80 (1.213)	20.10 (0.791)
19	38.10 (1.500)	1.0625-18	31.00 (1.220)	21.70 (0.854)	41.20 (1.622)	M28 x 1.0-6H	34.10 (1.343)	22.93 (0.903)
21	41.20 (1.622)	1.1875-18	34.20 (1.347)	24.90 (0.980)	44.30 (1.744)	M31 x 1.0-6H	36.90 (1.453)	26.00 (1.024)
23	44.30 (1.744)	1.3125-18	37.40 (1.472)	28.10 (1.106)	47.20 (1.858)	M34 x 1.0-6H	39.80 (1.567)	29.28 (1.153)
25	47.20 (1.858)	1.4375-18	40.60 (1.599)	31.20 (1.228)	50.00 (1.969)	M37 x 1.0-6H	43.00 (1.693)	32.45 (1.278)

Size	E max mm	Cabling chamber length F ^{+0.1} mm	Z rear side diameter coding										
			06	08	10	12	14	16	20	24	28	32	36
09	36	10		o	x	o	x	x					
11	36	10		x	x	o	o	x	x				
	41	15	x	x	x	x							
	46	20				x							
	56	30						x	x				
	66	40				x	x						
13	36	10		x	x	o	x	o	x				
	56	30				△		o					
15	36	10		x	x	o	o	x	o	x			
	41	15		x	x	x	x	x					
	56	30							o				
17	36	10				o	o	o	x	o			
	41	20					x	x					
	51	25				o	x						
	56	30						x		o			
19	36	10		x				o		o	x		
	56	30						x		o			
21	36	10					x	x	o	x	o	x	
	46	20					x		△	x			
	51	25					x						
	56	30							△		o		
23	36	10						x		o	x	o	
	56	30								o		o	
25	36	10						x			o		o
	56	30								o			o

x
HE308-35

o
HE308-35 & TV35/TVB35

△
TV35/TVB35

Z rear side diameter	06	08	10	12	14	16	20	24	28	32	36
Ø Z	4.8 (0.189)	6.30 (0.248)	7.90 (0.313)	9.40 (0.370)	11.00 (0.433)	12.60 (0.496)	15.80 (0.622)	19.00 (0.748)	22.10 (0.870)	25.30 (0.996)	28.60 (1.126)
Ø S min/max	7.80/7.9 (0.307/0.311)	9.40/9.50 (0.370/0.374)	11.1/11.2 (0.437/0.440)	12.60/12.70 (0.496/0.500)	14.10/14.30 (0.555/0.563)	15.70/15.90 (0.618/0.626)	18.90/19.10 (0.744/0.752)	22.00/22.20 (0.866/0.874)	25.20/25.40 (0.992/1)	28.40/28.60 (1.118/1.126)	31.50/31.80 (1.240/1.252)
Ø D1 ±0.1	12.40 (0.488)	14.00 (0.551)	17.10 (0.673)	17.10 (0.673)	18.70 (0.736)	20.30 (0.799)	23.50 (0.925)	26.70 (1.051)	29.80 (1.173)	33.00 (1.299)	36.20 (1.425)
Ø D2 ±0.1	9.80 (0.386)	11.40 (0.449)	14.50 (0.571)	14.50 (0.571)	16.10 (0.634)	17.70 (0.697)	20.90 (0.823)	23.10 (0.909)	26.20 (1.032)	29.40 (1.158)	32.60 (1.284)

HOW TO ORDER

HE 308 military designation - Backshells for HE 308 (LJT/ MIL-DTL-38999 Series I / RNJ) connectors

Series HE308 -35 -11 -10 -12 -7 M

Type of backshell
35: band backshell accepting heat shrink moulded piece

Size of backshell 09-11-13-15-17-19-21-23-25 (same as connector size)

Cabling chamber length 10-15-20-25-30-40
Refer above - dimension F

Rear side diameter 06-08-10-12-14-16-20-24-28-32-36
Refer above - dimension Z

Finish
7: olive-drab cadmium plating
6: electroless nickel plating
033K: black zinc nickel plating

Military standard (only for olive-drab cadmium and electroless nickel versions)

Amphenol designation – Backshells for TV-CTV (MIL-DTL-38999 Series III), SC39 and RNJ LP connectors

Series TV 35 11 10 12 014

Type of backshell
35: aluminium straight band backshell accepting heat shrink moulded piece
B35: bronze straight band backshell accepting heat shrink moulded piece

Size of backshell 09-11-13-15-17-19-21-23-25 (same as connector size)

Cabling chamber length 10-20-25-30
Refer above - dimension F

Rear side diameter 06-08-10-12-14-16-20-24-28-32-36
Refer above - dimension Z

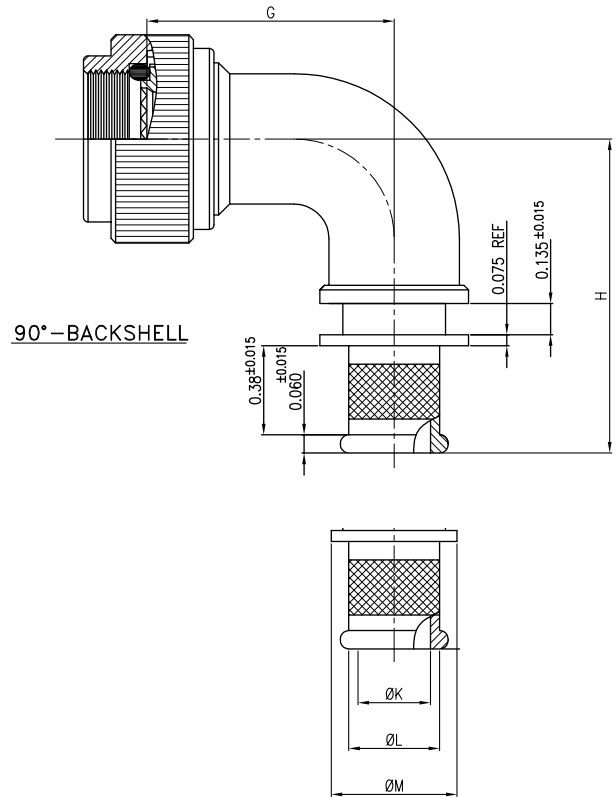
Finish
014: olive-drab cadmium plating
023: electroless nickel plating
024: green zinc cobalt plating
033K: black zinc nickel plating
 Blank for bronze version

SBC BACKSHELLS

LJT SBC suitable for LJT (MIL-DTL-38999 Series I / HE308) and RNJ (HE308) connectors.

TV SBC suitable for TV-CTV (MIL-DTL-38999 Series III), SC39 and RNJ LP connectors.

These right angled band backsells provide a full 360° shield termination with a quick, easy and cost effective cabling process. For right angled heat shrink moulded pieces, please refer to page 22.



Size	LJT SBC only		TV SBC only	
	Ø A max mm (in)	B Thread UNEF-2B	Ø A max mm (in)	B Thread Metric
09	19.10 (0.752)	0.4375-28	19.10 (0.752)	M12 x 1.0-6H
11	21.59 (0.850)	0.5625-24	21.59 (0.850)	M15 x 1.0-6H
13	25.40 (1.000)	0.6875-24	25.40 (1.000)	M18 x 1.0-6H
15	29.18 (1.149)	0.8125-20	29.18 (1.149)	M22 x 1.0-6H
17	31.78 (1.251)	0.9375-20	31.78 (1.251)	M25 x 1.0-6H
19	35.59 (1.401)	1.0625-18	35.59 (1.401)	M28 x 1.0-6H
21	39.29 (1.547)	1.1875-18	39.29 (1.547)	M31 x 1.0-6H
23	41.88 (1.649)	1.3125-18	41.88 (1.649)	M34 x 1.0-6H
25	44.48 (1.751)	1.4375-18	44.48 (1.751)	M37 x 1.0-6H

Size	G max mm (in)	K rear side diameter		H max mm (in)	Ø L ± 0.015" mm (in)	Ø M ± 0.015" mm (in)
		Coding 1/32 of Inch	Dimension mm (in)			
09	28.58 (1.125)	10	7.92 (0.312)	33.91 (1.335)	11.13 (0.438)	12.70 (0.500)
11	31.75 (1.250)	14	11.13 (0.438)	37.08 (1.460)	14.27 (0.562)	15.85 (0.624)
13	34.93 (1.375)	16	12.70 (0.500)	40.26 (1.585)	15.88 (0.625)	17.45 (0.687)
15	38.10 (1.500)	20	15.88 (0.625)	43.43 (1.710)	19.05 (0.75)	20.62 (0.812)
17	41.28 (1.625)	24	19.05 (0.750)	46.61 (1.835)	22.23 (0.875)	23.80 (0.937)
19	44.45 (1.750)	24	19.05 (0.750)	49.78 (1.960)	22.23 (0.875)	23.80 (0.937)
21	47.63 (1.875)	28	22.23 (0.875)	42.96 (2.085)	25.40 (1.000)	26.97 (1.062)
23	50.80 (2.000)	32	25.40 (1.000)	56.13 (2.210)	28.58 (1.125)	30.15 (1.187)
25	53.98 (2.125)	36	28.58 (1.125)	59.31 (2.335)	31.75 (1.250)	33.32 (1.312)

HOW TO ORDER

Amphenol designation – Backshells for LJT (LJT/ MIL-DTL-38999 Series I / HE308/ RNJ) connectors

Series	LJT	SBC	11	14	014
Type of backshell					
SBC: aluminium right angled band backshell accepting heat shrink moulded piece					
Size of backshell 09-11-13-15-17-19-21-23-25 (same as connector size)					
Rear side diameter 10-14-16-20-24-28-32-36					
<i>Refer above - dimension Z</i>					
Finish					
014: olive-drab cadmium plating					
023: electroless nickel plating					

Amphenol designation – Backshells for TV-CTV (MIL-DTL-38999 Series III), SC39 and RNJ LP connectors

Series	TV	SBC	11	14	014
Type of backshell	SBC: aluminium right angled band backshell accepting heat shrink moulded piece				
Size of backshell	09-11-13-15-17-19-21-23-25 (same as connector size)				
Rear side diameter	10-14-16-20-24-28-32-36				
Refer p12 - dimension Z					
Finish	014: olive-drab cadmium plating 023: electroless nickel plating				

ASSEMBLY INSTRUCTIONS FOR HE308-35, TV35 AND SBC BACKSHELLS

1. Prepare the cable for termination process (figure 1).
2. Screw the backshell at the rear of the connector.
3. Push the braid over the backshell to the incline point. Milk the braid as required to remove the slack and insure a snug fit around the shield termination area (figure 2).
4. Prepare the band: Roll the band through the buckle slot twice (the band must be double-coiled). Pull on the band until the mark is within approximately 6.4 mm (.250 in) of the buckle slot (figure 3). The band may be tightened further if desired.
5. Squeeze the gripper release lever of the banding tool and insert the band into the front end opening of the tool as shown on figure 4 (the circular portion of looped band must always face downward).
6. Aligning the band and the tool with the shield termination area, squeeze the black pull-up handle repeatedly using short strokes until it locks against the tool body (this indicates the band is compressed to the tool precalibrated tension).
7. Complete the clamping process by squeezing the grey cut-off handle.
8. Remove the excess band from the tool.
9. Inspect shield termination (figure 5). If the alignment of the band and the shield is unsatisfactory, tension on the band can be relaxed by pushing on the slotted release lever on the top of the tool. Make adjustments as necessary and squeeze again the black pull-up handle.

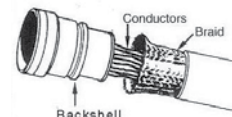


Figure 1

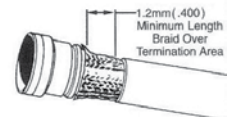


Figure 2

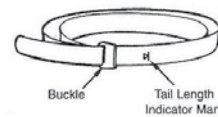


Figure 3



Figure 4

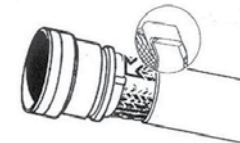


Figure 5



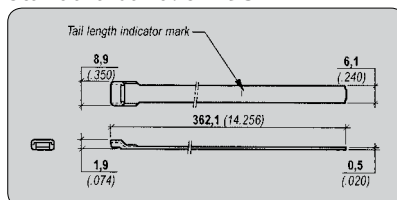
TOOLING AND ACCESSORIES

Coupling tool

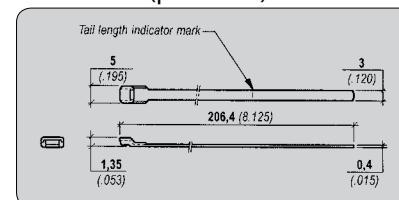
Coupling wrench for HE308-35 and TV(B) 35 backshells: **116.50** (Facom p/n)

Clamping bands

Standard band: **072952**



Micro band (precoiled): **895693**



Hand banding tools

Banding tool for standard band: **809952**

Caution: Tools and bands should never be lubricated

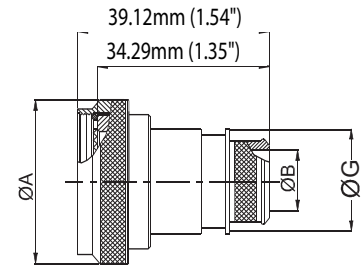
Banding tool for micro band: **809985**

M85049 BAND BACKSHELLS

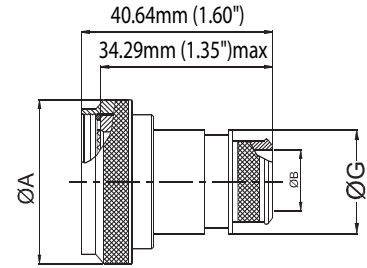
M85049/85 and M85049/87 suitable for LJT (MIL-DTL-38999 Series I / HE308), RNJ (HE308) connectors.

M85049/88 and M85049/90 suitable for TV/CTV (MIL-DTL-38999 Series III), SC39 and RNJLP connectors.

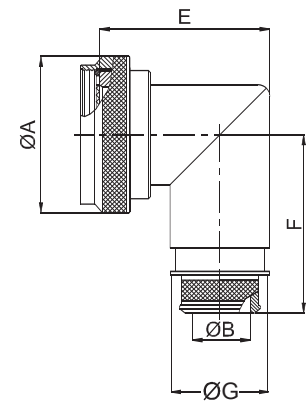
These straight band backsells provide a full 360° shield termination with a quick, easy and cost effective cabling process. For straight or right angled heat shrink moulded pieces, please refer to page 22.



M85049/85



M85049/88



M85049/87 & M85049/90

Size	Entry Size		Ø B ⁰ _{-0.5} mm (in)	Ø A max mm (in)	E max mm (in)	F max mm (in)		Ø G max mm (in)
	Coding					LJT	TV	
	for /85 only	for /88/87/90						
09	01	02	N/A	21.82 (0.859)	34.93 (1.375)	35.99 (1.417)	35.99 (1.417)	N/A
	02	03	6.60 (0.260)					
11	01	02	N/A	25.04 (0.986)	36.50 (1.437)	37.59 (1.480)	37.59 (1.480)	N/A
	02	03	8.13 (0.320)					
13	01	02	8.13 (0.320)	29.36 (1.156)	39.67 (1.562)	39.45 (1.553)	39.45 (1.553)	16.00 (0.630)
	02	03	11.43 (0.450)					
15	01	02	11.43 (0.450)	32.54 (1.281)	42.85 (1.687)	41.00 (1.614)	41.00 (1.614)	19.05 (0.750)
	02	03	14.48 (0.570)					
17	01	02	12.95 (0.510)	35.71 (1.406)	44.45 (1.750)	42.62 (1.678)	42.62 (1.678)	20.83 (0.820)
	02	03	16.26 (0.640)					
19	01	02	16.26 (0.640)	38.51 (1.516)	47.63 (1.875)	44.02 (1.733)	45.03 (1.773)	24.13 (0.950)
	02	03	19.30 (0.760)					
21	01	02	16.26 (0.640)	41.68 (1.641)	49.23 (1.938)	45.62 (1.796)	45.62 (1.796)	24.13 (0.950)
	02	03	20.83 (0.820)					
23	01	02	17.78 (0.700)	44.86 (1.766)	52.37 (2.062)	47.22 (1.859)	47.22 (1.859)	25.99 (1.023)
	02	03	24.13 (0.950)					
25	01	02	19.30 (0.760)	48.03 (1.891)	53.98 (2.125)	48.74 (1.919)	48.74 (1.919)	27.18 (1.070)
	02	03	25.65 (1.010)					

HOW TO ORDER

SAE-85049 designation - Backshell for LJT (MIL-DTL-38999 Series I / HE308) or TV/CTV (MIL-DTL-38999 Series III), SC39 and RNJ LP connectors

Series	M85049/	85	09	W	02
Type of backshell					
<u>LJT/HE308:</u>					
85: straight					
87: 90° right angle					
<u>TV:</u>					
88: straight					
90: 90° right angle					
Size of backshell					
08-10-12-14-16-18-20-22-24 for LJT (MIL-DTL-38999 Series I / HE308) and RNJ (HE308) connectors: remove 1 to your connector size					
09-11-13-15-17-19-21-23-25 (same as connector size) for TV-CTV (MIL-DTL-38999 Series III), SC39 and RNJ LP connectors					
Finish					
W: olive-drab cadmium plating					
N: electroless nickel plating					
Entry size 01-02-03					

CONNECTORS WITH INTEGRATED BACKSHELLS

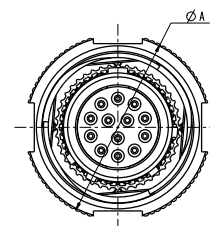
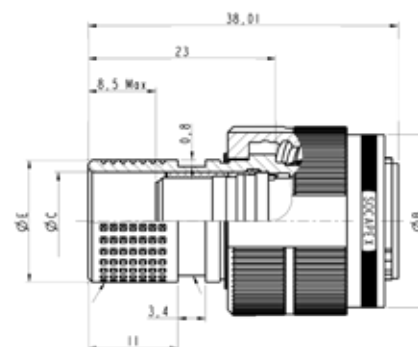
Available on plugs and receptacles, these 2 in 1 connectors/band backsells provide a high EMI protection with a quick, easy and cost effective cabling process. They are low profile, with enhance sealing level and allow the use of macro and micro bands, as well as straight or right angled heat shrink moulded pieces. The design of the shells make them compatible with over moulding process.



INTEGRATED BACKSHELLS FOR TV

Suitable for TV (MIL-DTL-38999 Series III) connectors.

Size	Ø A max mm (in)	Ø B max ^{+0.2} ₀ mm (in)	Ø C mm (in)	Ø E max ^{-0.2} mm (in)
09	21.8 (0.858)	18.4 (0.724)	8.74 (0.344)	12 (0.472)
11	25.0 (0.984)	21.1 (0.831)	11.99 (0.472)	15 (0.591)
13	29.4 (1.157)	25.4 (1.000)	14.88 (0.586)	18 (0.709)
15	32.5 (1.280)	28.7 (1.130)	18.06 (0.711)	22 (0.866)
17	35.7 (1.406)	32.2 (1.268)	21.23 (0.836)	25 (0.984)
19	38.5 (1.516)	34.9 (1.374)	23.93 (0.942)	28 (1.102)
21	41.7 (1.642)	38.1 (1.500)	27.10 (1.067)	31 (1.220)
23	44.9 (1.768)	41.1 (1.618)	30.28 (1.192)	34 (1.339)
25	48.0 (1.890)	44.3 (1.744)	33.45 (1.317)	37 (1.457)



HOW TO ORDER

Amphenol designation - Integrated backshell for TV (MIL-DTL-38999 Series III)

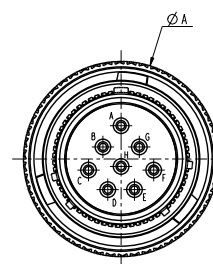
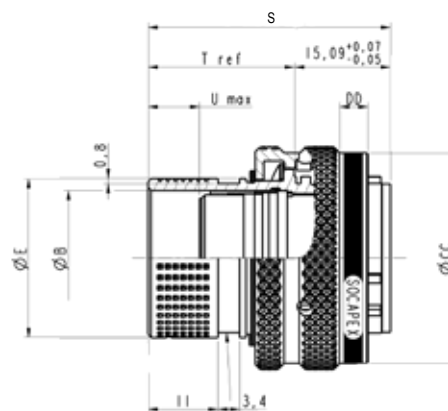
Series	TV	06	RW	11-35	P	A	F472
Shell type straight plug: 175°C: 06 straight plug: 200°C: S06							
Shell material and finish <i>Aluminium</i> RW: olive drab cadmium plated 175°C RF: electroless nickel plated 200°C ZN: black zinc nickel plated 175°C RZ: green zinc cobalt plated 175°C <i>Please consult for bronze and stainless steel versions</i>							
Shell size and contact arrangement See MIL-DTL 38999 Series III catalogue pages 8 to 11							
Contact type P: pin S: socket							
Polarisation blank for normal or A, B, C, D, E							
Deviation F472: connectors with integrated backshell							

Please consult us for receptacles with integrated backshell

INTEGRATED BACKSHELLS FOR LJT

Suitable for LJT (MIL-DTL-38999 Series I / HE308).

Size	Ø A max mm (in)	Ø B mm (in)	Ø CC ^{+0.28 0} mm (in)	DD ^{+1.14 -0.91} mm (in)	Ø E ^{0 -0.2} mm (in)	S mm (in)	T ref mm (in)	U max mm (in)			
09	21.82 (0.859)	8.74 (0.344)	19.81 (0.780)	4.06 (0.160)	12 (0.472)	38.09 (1.500)	23 (0.906)	8.5 (0.335)			
11	24.99 (0.984)	11.99 (0.472)	22.99 (0.905)		15 (0.591)						
13	29.36 (1.156)	14.88 (0.586)	26.95 (1.061)		18 (0.709)						
15	32.54 (1.281)	18.06 (0.711)	30.12 (1.186)		22 (0.866)						
17	35.71 (1.406)	21.23 (0.836)	33.05 (1.301)		25 (0.984)						
19	38.51 (1.516)	23.93 (0.942)	36.12 (1.422)		26.95 (1.061)						
21	41.68 (1.651)	27.10 (1.067)	39.22 (1.544)		30.12 (1.186)						
23	43.86 (1.727)	30.28 (1.192)	42.34 (1.667)		33.30 (1.311)						
25	48.03 (1.891)	33.45 (1.317)	45.54 (1.793)		36.47 (1.436)				40.09 (1.578)	25 (0.984)	10.50 (0.413)



HOW TO ORDER

Amphenol designation - Integrated backshell for LJT (MIL-DTL-38999 Series I/HE308)

Series	LJT	06	RT	11-35	P	A	014	F472
Shell type	06: straight plug							
Service class and contact style	RT: environmental, crimp contacts							
Shell size and contact arrangement	see MIL-DTL 38999 Series I catalogue pages 7 to 9							
Contact type	P: pin S: socket							
Polarisation	blank for normal or A, B, C, D							
Shell finish	014: olive drab cadmium plating 023: electroless nickel plating 033K: black zinc nickel plating							
Deviation	F472: connectors with integrated backshell							

Please consult for receptacles with integrated backshell

ADAPTERS FOR HEAT SHRINK MOULDED PIECES

NSD BACKSHELLS

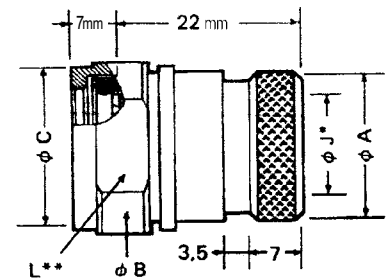
LJT NSD (HE308-14) suitable for LJT (MIL-DTL-38999 Series I / HE308) and RNJ (HE308) connectors.

TV NSD suitable for TV-CTV (MIL-DTL-38999 Series III), SC39 and RNJ LP connectors. These backshells ensure the sealing and the mechanical retention of the cable. For straight and right angled heat shrink moulded pieces, please refer to page 22.



Size	Ø A mm (in)	Ø B ±0.2 mm (in)	Ø C max mm (in)	Ø J* min mm (in)	L** max mm (in)
9	12.60 (0.496)	20.00 (0.787)	16.00 (0.630)	7.80 (0.307)	16.80 (0.661)
11	16.40 (0.646)	23.00 (0.906)	19.00 (0.748)	10.80 (0.425)	20.80 (0.819)
13	20.00 (0.787)	26.00 (1.024)	22.00 (0.866)	13.10 (0.516)	22.80 (0.898)
15	22.00 (0.866)	29.00 (1.142)	25.10 (0.988)	16.30 (0.642)	25.80 (1.016)
17	24.60 (0.969)	32.00 (1.260)	28.30 (1.114)	19.00 (0.748)	28.80 (1.134)
19	27.50 (1.083)	35.00 (1.378)	31.30 (1.232)	21.70 (0.854)	31.80 (1.252)
21	31.90 (1.256)	39.00 (1.536)	34.50 (1.358)	24.90 (0.980)	35.80 (1.409)
23	35.00 (1.378)	42.00 (1.654)	37.70 (1.484)	28.10 (1.106)	38.80 (1.528)
25	38.80 (1.528)	45.00 (1.772)	40.80 (1.606)	31.20 (1.228)	41.80 (1.646)

* max permissible cable outside diameter
** dimension over the flats (4 flats)



HOW TO ORDER

Amphenol designation - Backshell for LJT (MIL-DTL-38999 Series I/HE308), RNJ (HE308) connectors

HE 308 military designation - Backshells for HE308 (LJT / MIL-DTL-38999 Series I / RNJ) connectors

Series	LJT	NSD	11	014
Type of backshell	NSD: backshell for heat shrink moulded piece			
Size of backshell	09-11-13-15-17-19-21-23-25 (same as connector size)			
Finish	014: olive-drab cadmium plating 023: electroless nickel plating 033K: black zinc nickel plating			

Series	HE308	14	15	7	M
Type of backshell	NSD: backshell for heat shrink moulded piece				
Size of backshell	09-11-13-15-17-19-21-23-25 (same as connector size)				
Finish	07: olive-drab cadmium plating 06: electroless nickel plating				
Military standard					

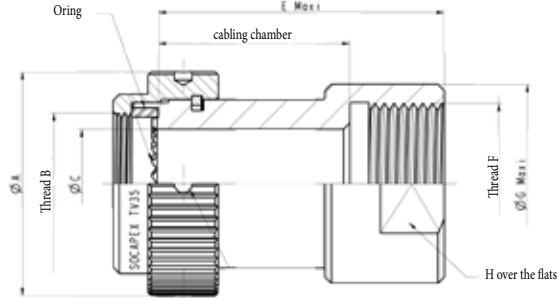
Amphenol designation - Backshell for TV (MIL-DTL-38999 Series III), SC39 and RNJ LP connectors

Series	TV	NSD	11	014
Type of backshell	NSD: backshell for heat shrink moulded piece			
Size of backshell	09-11-13-15-17-19-21-23-25 (same as connector size)			
Finish	014: olive-drab cadmium plating 023: electroless nickel plating 033K: black zinc nickel plating			

ADAPTERS FOR SEALING GLAND

METRIC SEALING GLAND STRAIGHT VERSION

TV35M suitable for TV-CTV (MIL-DTL-38999 Series III), SC39 and RNJ LP connectors. These backshells ensure the adaptation on metric sealing gland.



Rear side	M16	M20	M25	M32	M40	M50
F Thread metric	M16x1.5	M20x1.5	M25x1.5	M32x1.5	M40x1.5	M50x1.5
Ø G mm (in)	19.6 (0.772)	25.3 (0.996)	31.1 (1.224)	39.1 (1.539)	49.5 (1.949)	63.3 (2.492)
H mm (in)	18 (0.709)	22 (0.866)	27 (1.063)	34 (1.339)	43 (1.693)	55 (2.165)

Size	Ø A mm (in)	B Thread metric	Ø C mm (in)	Cabling chamber					Rear side (Thread)						
				30	40	50	60	80	M16	M20	M25	M32	M40	M50	
09	24.3 (0.957)	M12x1	7.71 (0.304)												
11	27.4 (1.079)	M15x1	10.96 (0.431)												
13	31.8 (1.252)	M18x1	13.85 (0.545)												
15	35 (1.378)	M22x1	17.03 (0.670)												
17	38.1 (1.500)	M25x1	20.20 (0.795)	45 (1.772)	55 (2.165)	65 (2.56)	75 (2.953)	95 (3.740)							
19	41.2 (1.622)	M28x1	22.90 (0.902)												
21	44.3 (1.744)	M31x1	26.07 (1.026)												
23	47.2 (1.858)	M34x1	29.25 (1.152)												
25	50 (1.969)	M37x1	32.42 (1.276)												

For other configurations, please consult us

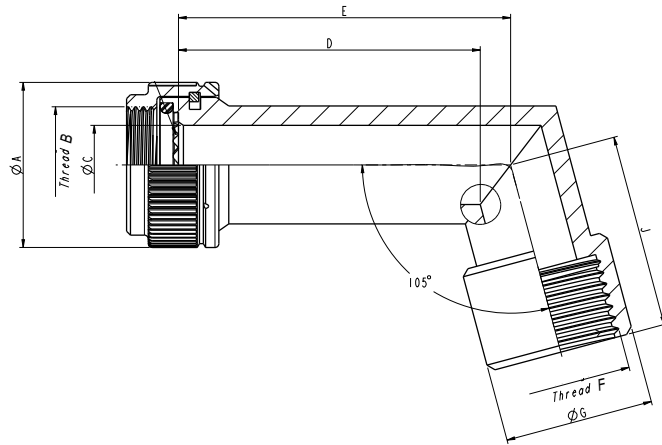
HOW TO ORDER

Amphenol designation - Backshell for TV (MIL-DTL-38999 Series III), SC39 and RNJ LP connectors

Series	TV	35	15	30	M20	023
35: aluminum						
B35: bronze						
Size of backshell	09-11-13-15-17-19-21-23-25 (same as connector size)					
Cabling chamber	30-40-50-60-80					
	Refer above					
Rear side	M16-M20-M25-M32-M40-M50					
	Refer above					
Finish						
014: olive-drab cadmium plating						
023: electroless nickel plating						
033K: black zinc nickel plating						
Blank for bronze version						

METRIC SEALING GLAND 105° ANGLED VERSION

TV105M suitable for TV-CTV (MIL-DTL-38999 Series III), SC39 and RNJ LP connectors. These backshells ensure the adaptation on metric sealing gland.



Rear side	M16	M20	M25	M32	M40	M50	M63
F Thread metric	M16x1.5-6H	M20x1.5-6H	M25x1.5-6H	M32x1.5-6H	M40x1.5-6H	M50x1.5-6H	M63x1.5-6H
Ø G mm (in)	20 (0.787)	24 (0.945)	29 (1.142)	36 (1.417)	44 (1.732)	54 (2.126)	67 (2.638)

Size	Ø A max mm (in)	B Thread metric	Ø C min mm (in)	Cabling chamber D mm (in)	E max mm (in)	J max mm (in)	Rear side (Thread)							
							M16	M20	M25	M32	M40	M50	M63	
11	25.04 (0.986)	M15x1-6H	9.90 (0.390)	35	42.5 (1.673)	35 (1.378)								
13	29.36 (1.156)	M18x1-6H	12.80 (0.504)	40	48.25 (1.900)	35 (1.378)								
15	32.54 (1.281)	M22x1-6H	16.00 (0.630)	50	60.50 (2.382)	35 (1.378)								
17	35.71 (1.406)	M25x1-6H	19.20 (0.756)	55	66.60 (2.622)	36.50 (1.437)								
19	38.51 (1.516)	M28x1-6H	21.40 (0.843)	55	67.80 (2.669)	37 (1.457)								
21	41.68 (1.641)	M31x1-6H	24.60 (0.969)	40	54 (2.126)	38.50 (1.516)								
				60	74 (2.913)	40 (1.575)								
23	44.86 (1.766)	M34x1-6H	27.70 (1.091)	60	74.75 (2.943)	40 (1.575)								
25	48.03 (1.891)	M37x1-6H	30.90 (1.217)	75	91.50 (3.602)	40 (1.575)								

For other configurations, please consult us

HOW TO ORDER

Amphenol designation - Backshell for TV (MIL-DTL-38999 Series III), SC39 and RNJ LP connectors.

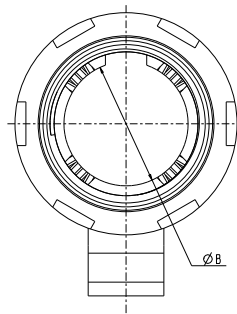
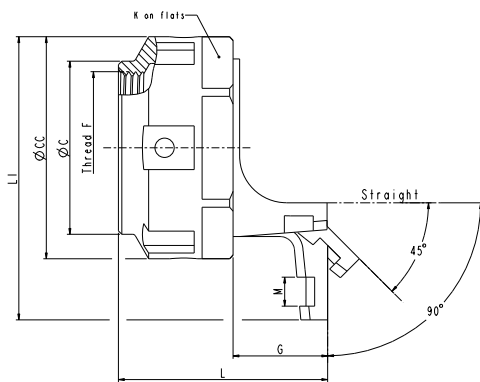
Series	TV	105	15	50	M20	023
105:	aluminum					
B105:	bronze					
Size of backshell	09-11-13-15-17-19-21-23-25 (same as connector size)					
Cabling chamber	35-40-50-55-60-75					
	Refer above - dimension D					
Rear side	M16-M20-M25-M32-M40-M50-M63					
	Refer above					
Finish						
014:	olive-drab cadmium plating					
023:	electroless nickel plating					
033K:	black zinc nickel plating					
	Blank for bronze version					

COMPOSITE BACKSHELLS

CTV35/ABS2216

CTV35/ABS2216 suitable for TV/CTV (MIL-DTL-38999 Series III/EN3645) connectors:

- Light weight solution
- Quick and easy installation
- Handling temperature from -65°C to 200°C
- Anti-decoupling system to withstand shocks and vibrations in harsh environment



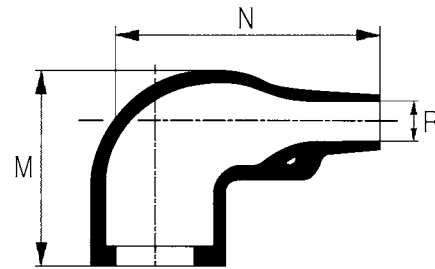
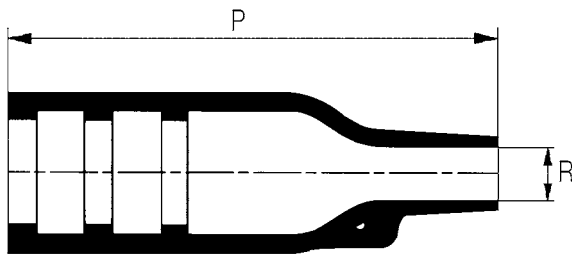
Size	ØB ^{0-0.1} mm (in)	ØC Max mm (in)	ØCC max mm (in)	Thread F	G max mm (in)			K ^{0-0.2} mm (in)	L max mm (in)			L I Max mm (in)			M ^{+0.2} mm (in)
					droit	45°	90°		droit	45°	90°	droit	45°	90°	
09	8.47 (0.333)	15.24 (0.600)	21.79 (0.858)	M12x1.0+6H R0.100	16 (0.630)	21 (0.827)	17 (0.669)	19.05 (0.750)	40 (1.575)	37 (1.457)	32.5 (1.280)	21.76 (0.858)	26 (1.024)	/	3.2 (0.126)
11	12.07 (0.475)	18.21 (0.717)	24.99 (0.984)	M15x1.0-6H R0.100			15 (0.591)	22.23 (0.875)				24.99 (0.984)	30 (1.181)	40 (1.575)	3.2 (0.126)
13	14.96 (0.714)	21.18 (0.834)	29.39 (1.157)	M18x1.0-6H R0.100			15 (0.591)	25.4 (1.000)				29.39 (1.157)	33 (1.299)	40 (1.575)	4.2 (0.165)
15	18.14 (0.714)	25.14 (0.990)	32.46 (1.279)	M22x1.0-6H R0.100			15 (0.591)	28.58 (1.125)				32.49 (1.279)	36 (1.417)	50 (1.969)	4.2 (0.165)
17	21.21 (0.835)	28.12 (1.107)	35.71 (1.406)	M25x1.0-6H R0.100			15 (0.591)	31.75 (1.250)				35.71 (1.406)	39 (1.535)	50 (1.969)	4.2 (0.165)
19	24 (0.945)	31.09 (1.224)	38.5 (1.516)	M28x1.0-6H R0.100			15 (0.591)	34.93 (1.375)				38.5 (1.516)	42 (1.654)	50 (1.969)	4.2 (0.165)
21	27.08 (1.066)	34.06 (1.341)	41.7 (1.642)	M31x1.0-6H R0.100			15 (0.591)	38.1 (1.500)				41.7 (1.642)	45 (1.772)	60 (2.362)	4.2 (0.165)
23	30.35 (1.195)	36.9 (1.453)	44.91 (1.768)	M34x1.0-6H R0.100			15 (0.591)	41.28 (1.625)				44.91 (1.768)	48 (1.890)	60 (2.362)	5.4 (0.213)

HOW TO ORDER

Amphenol and ABS designation - Backshells for TV/CTV (MIL-DTL-38999 Series III / EN3645) connectors

Series	ABS2216 or CTV35	A	11	W
Type of backshell				
A: straight backshell				
B: 45° backshell				
C: 90° backshell				
Size of backshell 09-11-13-15-17-19-21-23-25 (same as connector size)				
EMI protection				
W: EMI shielding backshell (delivered with 200 mm metallic braid)				
P: non-EMI shielding backshell				

HEAT-SHRINK MOULDED PIECES



Heat-shrink moulded piece p/n		M max mm (in)	N ±10% mm (in)	P ±10% mm (in)	Ø R mm (in)	
Straight	Right angled	After total heating			Before heating (max)	After heating (min cable Ø)
		804221	804231	25.40 (1.000)	25.00 (0.984)	38.40 (1.512)
804222	804232	27.20 (1.071)	32.00 (1.260)	54.90 (2.161)	30.00 (1.181)	6.00 (0.236)
804223	804233	30.50 (1.201)	39.40 (1.551)	66.80 (2.630)	31.00 (1.220)	7.10 (0.280)
804225	804235	38.00 (1.496)	46.00 (1.811)	80.00 (3.150)	36.00 (1.417)	8.50 (0.335)
804227	804237	45.00 (1.772)	55.00 (2.165)	99.10 (3.902)	43.00 (1.693)	10.00 (0.394)
804229	804239	54.00 (2.126)	80.00 (3.150)	130.00 (5.118)	60.00 (2.362)	16.00 (0.630)

Standard heat-shrink moulded pieces (semi-rigid polyolefin – without any adhesive)

Size	Backshell type	Rear size coding	Straight			Right angled		
			Amphenol Socapex p/n	Raychem p/n	Hellerman p/n	Amphenol Socapex p/n	Raychem p/n	Hellerman p/n
9	NSA, NSD	-	804221	202K121-3	152-42-G	804231	222K121-3	1152-4-G
	HE308-35, TV35, TVB35, SBC	08	804221	202K121-3	152-42-G	804231	222K121-3	1152-4-G
11	NSA, NSD	-	804222	202K132-3	154-42-G	804232	222K132-3	1154-4-G
	HE308-35, TV35, TVB35, SBC	12	804222	202K132-3	154-42-G	804232	222K132-3	1154-4-G
13	NSA, NSD	-	804223	202K142-3	155-42-G	804233	222K142-3	1155-4-G
	HE308-35, TV35, TVB35, SBC	12	804222	202K132-3	154-42-G	804232	222K132-3	1154-4-G
		16	804223	202K142-3	155-42-G	804233	222K142-3	1155-4-G
		-	804225	202K153-3	156-42-G	804235	222K152-3	1156-4-G
15	NSD	-	804223	202K142-3	155-42-G	804233	222K142-3	1155-4-G
	HE308-35, TV35, TVB35, SBC	14	804222	202K132-3	154-42-G	804232	222K132-3	1154-4-G
		20	804225	202K153-3	156-42-G	804235	222K152-3	1156-4-G
		-	804227	202K163-3	157-43-G	804237	222K163-3	1157-4-G
17	NSA	-	804225	202K153-3	156-42-G	804235	222K152-3	1156-4-G
	HE308-35, TV35, TVB35, SBC	12	804222	202K132-3	154-42-G	804232	222K132-3	1154-4-G
		16	804223	202K142-3	155-42-G	804233	222K142-3	1155-4-G
		24	804225	202K153-3	156-42-G	804235	222K152-3	1156-4-G
19	NSA	-	804227	202K163-3	157-43-G	804237	222K163-3	1157-4-G
	HE308-35, TV35, TVB35, SBC	16	804225	202K153-3	156-42-G	804235	222K152-3	1156-4-G
		24	804223	202K142-3	155-42-G	804233	222K142-3	1155-4-G
		-	804225	202K153-3	156-42-G	804235	222K152-3	1156-4-G
21	NSA, NSD	-	804227	202K163-3	157-43-G	804237	222K163-3	1157-4-G
	HE308-35, TV35, TVB35, SBC	14	804222	202K132-3	154-42-G	804232	222K132-3	1154-4-G
		20	804225	202K153-3	156-42-G	804235	222K152-3	1156-4-G
		28	804227	202K163-3	157-43-G	804237	222K163-3	1157-4-G
23	NSA, NSD	-	804229	202K174-3	158-43-G	804239	222K174-3	1158-4-G
	HE308-35, TV35, TVB35, SBC	24	804225	202K153-3	156-42-G	804235	222K152-3	1156-4-G
		32	804227	202K163-3	157-43-G	804237	222K163-3	1157-4-G
25	NSA, NSD	-	804229	202K174-3	158-43-G	804239	222K174-3	1158-4-G
	HE308-35, TV35, TVB35, SBC	28	804227	202K163-3	157-43-G	804237	222K163-3	1157-4-G
		36	804229	202K174-3	158-43-G	804239	222K174-3	1158-4-G

TORQUES VALUES FOR REAR ACCESSORIES

According to the SAE-85049 standard

For LJT / RNJ / HE308 / MIL-DTL-38999 I connectors		For TV-CTV / MIL-DTL-38999 III / EN3645 connectors			For SJT / VG96912 connectors	
Shell size	Torque value (N.m) ± 0.5	Shell size	Metal torque value (N.m) ± 0.5	Composite torque value (N.m) ± 0.5	Shell size	Torque value (N.m) ± 0.5
09	4.5	09	6.8	4.5	08	4.5
11	4.5	11	9.0	4.5	10	4.5
13	4.5	13	12.6	4.5	12	4.5
15	4.5	15	13.6	4.5	14	4.5
17	4.5	17	13.6	4.5	16	4.5
19	4.5	19	13.6	4.5	18	4.5
21	9.0	21	15.8	9.0	20	9.0
23	9.0	23	15.8	9.0	22	9.0
25	9.0	25	15.8	9.0	24	9.0

According to the ABS2216 standard

For TV-CTV / MIL-DTL-38999 III / EN3645 connectors	
Shell size	Torque value (N.m)
09	2.75 (± 0.25)
11	2.75 (± 0.25)
13	3 (± 0.5)
15	5 (± 0.5)
17	5 (± 0.5)
19	5 (± 0.5)
21	7 (± 0.5)
23	7 (± 0.5)
25	7 (± 0.5)

The rear accessory installation procedure may change from one equipment manufacturer to another in terms of coupling torques to apply.

The use of Loctite shall be required or excluded.

For Aluminum alloy rear accessory, if the use of Loctite is excluded, the best performance in time of the system « connector + rear accessory » consists in applying the torque value to screw then to unscrew, to apply the torque value to screw a second time, then to unscrew and finally to screw the torque value a third time.

CROSS REFERENCES

The cross references below are given as information only.
The designs of the backshells are not strictly equivalent.

Amphenol P/N	NFC UTE 93422 / HE308 P/N	SAE-85049 P/N
LJT NSA xx 014	HE308 13 xx 7M	
LJT NSA xx 023	HE308 13 xx 6M	
LJT NSD xx 014	HE308 14 xx 7M	M85049/62-xx W
LJT NSD xx 023	HE308 14 xx 6M	M85049/62-XX N
LJTSBC xx xx 014		M85049/87-xx W xx
LJTSBC xx xx 023		M85049/87-xx N xx
HE308-35-xx-xx-xx-7M	HE308-35-xx-xx-xx-7M	M85049/85-xx W xx
HE308-35-xx-xx-xx-6M	HE308-35-xx-xx-xx-6M	M85049/85-xx N xx
TV 35 xx xx xx 014		M85049/88-xx W xx
TV 35 xx xx xx 023		M85049/88-xx N xx
TVSBC xx xx 014		M85049/90-xx W xx
TVSBC xx xx 023		M85049/90-xx N xx

NOTES

.....
.....
.....
.....
.....
.....
.....
.....
.....
.....
.....
.....
.....
.....
.....
.....
.....
.....
.....
.....
.....
.....

NOTES

A series of horizontal dotted lines providing a space for notes.

Amphenol in the world

Amphenol Socapex

948, promenade de l'Arve BP29
74311 Thyez Cedex - France
Phone: +33 (0)4 50 89 28 00
contact@amphenol-socapex.fr
www.amphenol-socapex.com

 [www.twitter.com/AmphenolSocapex](https://twitter.com/AmphenolSocapex)
 www.linkedin.com/company/amphenol-socapex

Amphenol Sales contacts in Europe

Amphenol Air LB

2 rue Clément Ader, ZAC de WE
08110 Carignan - FRANCE
Phone: +33 (0)3 24 22 78 49

Amphenol SEFEE

Z.I. des Cazes - BP 243
12402 Saint-Affrique Cedex - France
Phone: +33 5 65 98 11 00

Amphenol AIR LB GmbH

Am Kleinbahnhof 4
66740 Saarlouis - GERMANY
Phone: +49 6831 981 00

Amphenol LIMITED

Thanet Way, Whitstable
Kent, CT53JF - UNITED KINGDOM
Phone: +44 (0) 1227 773200

Amphenol INVOTEC

Invotec Circuits Tamworth Limited
Hedging Lane, Dosthill,
Tamworth, B77 5HH - UNITED KINGDOM
Phone: +44 (0) 1827 263250

Amphenol IONIX

Greenfold Way -Leigh
Lancashire, WN7 3XJ - UNITED KINGDOM
Phone: +44 1942 685200

Amphenol MARTEC LIMITED

St Augustines Business Park, Swalecliffe,
Whitstable
Kent, CT5 2QJ - UNITED KINGDOM
Phone: +44 (0) 1227 793733

Amphenol ITALY

Via Barbaiana n.5
20020 Lainate - Milano - ITALY
Phone: +39 293 254 214

Amphenol IBERICA

Edificio Burgosol, Oficina nr 55 - Comunidad de
Madrid, 35-bis Las Rozas SPAIN
Phone: +34 629 054629

Amphenol AUSTRIA & CEE

Wiener Gasse 68
2380 Perchtoldsdorf - AUSTRIA
Phone: +43 699 10396071

Amphenol POLAND

Lwowska 8/16,
53-516 Wroclaw - POLAND
Phone: +48 513017157

Amphenol SWITZERLAND

Phone: +43 699 10396071

Amphenol SOUTH CENTER

Slovenia, Serbia, Montenegro, Yugoslavia,
Greece, Bulgaria
Phone: +39 02 93254208
Phone: +39 02 93254210

Amphenol NORDIC

Phone: +46 70 2129200 (Mil/Aero)
+46 76 7909560 (Industrial)

Amphenol BENELUX

Zadkinestraat 26
Almere, 1328 NN - THE NETHERLANDS
Phone: +31 651 296835

Amphenol SCANDINAVIA AB

Ångsullsvägen 7-5
187 51 Täby - SWEDEN
Phone: +46 70 21 29200

Amphenol Sales contacts in Asia

Amphenol DAESHIN

558 SongNae-Dong SoSa-Gu, Buecheon-city, Kyunggi-Do
Korea 420-130
Phone: +81-32 610 3800

Amphenol EAST ASIA LTD.

159 Kampong Ampat, #04-01/04
KA Place
Singapore 368328
Phone: +656549-6537/ +656294-2128

Amphenol INTERCONNECT INDIA PRIVATE LIMITED

105 Bhosari Industrial Area - Pune 411 026 - India
Phone: +91 20 3068 8304

Amphenol PCD CO. LTD

Building 21, 1st Liao Keng Industrial Zone, Shi Yan Street
Bao An District, Shenzhen 518108 - China
Phone: +86 755 8173 8000/8286

Amphenol JAPAN

471-1, Deba, Ritto-City, Shiga 520 3041 - Japan
Phone: +81 77 553 8501

Amphenol Sales contacts in North America

Amphenol PCD

72 Cherry Hill Drive - Beverly, MA. 01915 - USA
Phone: +1 978-624-3400

Amphenol FIBER SYSTEMS INT.

1300 Central Expwy N, Suite 100
Allen, TX 75013 - USA
Phone: +1 214-547-2400

Amphenol AEROSPACE OPERATIONS

40-60 Delaware street - Sidney, NY 13838-1395
- USA
Phone: +1 800-678-0141

Amphenol PRINTED CIRCUIT BOARD TECHNOLOGY

91 Northeastern Boulevard
Nashua, New Hampshire 03062 - USA
Phone: +1 603-324-4500

SV MICROWAVE

2400 Centrepark West Dr.
West Palm Beach, FL 33409 - USA
Phone: +1 561-840-1800

Amphenol ADVANCED SENSORS

967 Windfall Road
St. Mary's, PA 15857-3333 - USA
Phone: +1 814-834-9140

TIMES MICROWAVE SYSTEMS

358 Hall Avenue
Wallingford, CT 06492 - USA
Phone: +1 800-867-2629

Amphenol GRIFFITH ENTERPRISES

6000 E Coury Drive
Cottonwood, AZ 86326-9202 - USA
Phone: +1 928-634-3685

Amphenol NEXUS TECHNOLOGIES, INC

50 Sunnyside Ave., Stamford,
CT 06902 - USA
Phone: +1 203-327-7300

Amphenol BORISCH TECHNOLOGIES

4511 East Paris
Grand Rapids, MI 49512 - USA
Phone: +1 616 554 9820

Amphenol CANADA CORPORATION

605 Milner avenue - M1B 5X6 - Toronto, Ontario -
CANADA
Phone: +1 416 291 4401

Amphenol Sales contacts in Other Areas

Amphenol ARGENTINA

Av. Callao 930 2do piso Oficina B "Plaza" C1023 - AAP
Buenos Aires - ARGENTINA
Phone: +54 11 4815-6886

Amphenol AUSTRALIA PTY LIMITED

2 Fiveways Blvd., Keysborough - Melbourne
Victoria 3173 - AUSTRALIA
Phone: +61 3 8796-8888

Amphenol DO BRAZIL

Rua Diogo Moreira, 132, 20 andar, rooms 2001-2-3
CEP: 05423-010 Sao Paulo SP - BRAZIL
Phone: +55 11 3815-1003

Bar-Tec Ltd., ISRAEL

3 Hagavish Street, Kfir-Barkan Bldg. East Industrial
Zone - Kfar-Sava, 44102 - ISRAEL
Phone: +972 9 764 4100

Amphenol MEXICO

Prolongacion Reforma 61-6 B2
Col Paseo de las Lomas - C.P. 013130 - MEXICO
Phone: +52 55 5258-9984

Amphenol AFRICA

30 Impala Rd,
Sandton 2146 - SOUTH AFRICA
Phone: +27 82 410 5179

Amphenol TURKEY

Sun Plaza 15 Kat: 15 Maslak Hah. Bilim Sok. No.5
Sisli/Istanbul, 34398 - TURKEY
Phone: +90 212 367 9220



For Technical Support, please contact us:
+33 (0)4 50 89 28 49
www.amphenol-socapex.com/technical_support

www.amphenol-socapex.com

Your local Contact:

DOC-000022-ANG-D

The information given in this document is a guideline only.
We reserve the right to modify our products in any way we deem necessary.
Any duplication is prohibited, unless approved in writing.
Designed by Amphenol Socapex