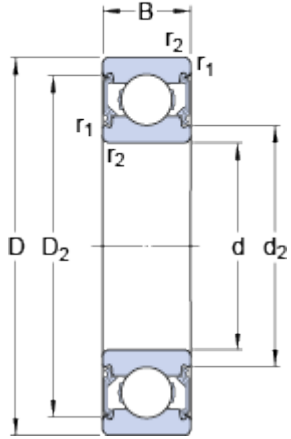


6205-2RSH

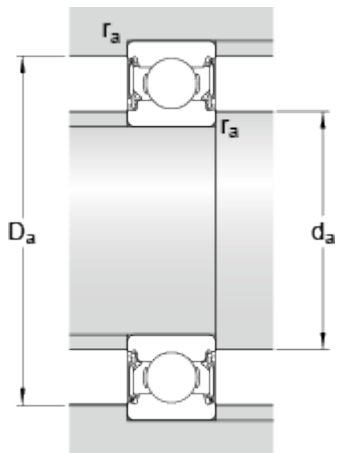
SKF Explorer

Dimensions



d	25	mm
D	52	mm
B	15	mm
d ₂	31.15	mm
D ₂	46.21	mm
r _{1,2} min.	1	mm

Abutment dimensions



d _a min.	30.6	mm
d _a max.	31.5	mm
D _a max.	46.4	mm
r _a max.	1	mm

Calculation data

Basic dynamic load rating	C	14.8	kN
Basic static load rating	C ₀	7.8	kN
Fatigue load limit	P _u	0.335	kN
Limiting speed		8500	r/min
Calculation factor	k _r	0.025	
Calculation factor	f ₀	14	

Mass

Mass bearing		0.132	kg
--------------	--	-------	----

