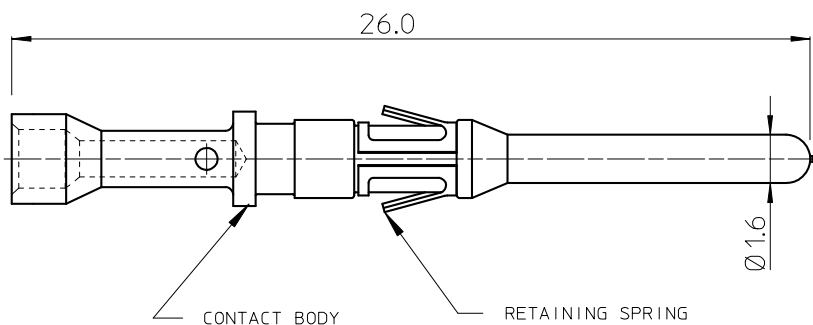


DIT IS ONZE EIGENDOM EN MAG NOCH NAGEMAAKT, HERDRUKT, OVERGEMAAKT AAN DERDEN, NOCH VOOR FABRIKATIE GEBRUIKT WORDEN, ZONDER ONZE SCHRIFTELIJKE TOELATING. BIJ NIET GEBRUIK IS DE TERUGZENDING VERPLICHT.

THIS IS OUR EXCLUSIVE PROPERTY. IT IS NOT TO BE COPIED, REPRINTED OR DISCLOSED TO A THIRD PARTY, NOR USED FOR MANUFACTURING WITHOUT OUR WRITTEN CONSENT. AND HAS TO BE RETURNED TO US IN CASE OF NO USAGE

BS, A , 202539, 001, 0C

REV.	DATE	DESCRIPTION	BY	C 'K 'D'
0B	061098	PLATING CAT.NR.CORRECTED	K.N.	
0C	08/01/07	DELETE EXTERN CHAMFER AT THE REAR OF CTS	R Ch	N° 18 468 DDM 41726



PERFORMANCE CHARACTERISTICS

CURRENT RATING : 13 AMP
 CONTACT RESISTANCE : 3 mOhm
 OPERATING VOLTAGE : 750 V RMS
 CONTACT RETENTION IN BODY : 110 N MIN.
 INDIVIDUAL INSERTION FORCE : 3.5 N MAX..
 INDIVIDUAL WITHDRAWAL FORCE: 0.55 N MIN.

MATERIAL

CONTACT BODY : BRASS
 PLATING:AJ = GOLD FLASH OVER 2µM CHEM.NICKEL-PHOSPHOR
 AK = 0.40µM GOLD OVER 2µM CHEM.NICKEL-PHOSPHOR
 AN = 0.75µM GOLD OVER 2µM CHEM.NICKEL-PHOSPHOR
 AL = 1.10µM GOLD OVER 2µM CHEM.NICKEL-PHOSPHOR
 AM = 1.75µM GOLD OVER 2µM CHEM.NICKEL-PHOSPHOR
 RETAINING SPRING : BERYLLIUM COPPER NOT PLATED

NOTES

- CONTACT SUITABLE FOR : MSM, UT-BANTAM, METALOK BANTAM, BANTAMATE II, SMS QIKMATE.
- AIR-CRIMP TOOLING AVAILABLE: RCY70 - USING DIE SETS AND STOP BUSHING OF M10S1 (NOT INCLUDED)
 Y8ND - USING DIE SETS OF M8ND (NOT INCL)
- WIRE INFORMATION : - AWG 22 - 20
 - 0.32 - 0.52 MM
 - WIRE DIAMETER MAX. = 1.18 MM.
 - WIRE STRIP LENGTH = 4.8 MM.
- HAND-CRIMP-TOOLING : - HAND TOOLS INCLUDING DIE SET WITH 3 GROOVES = MR8GE5 AND Y16RCM.
 - MH860 WITH POSITIONER MH86164G (INCLUDED) AND LOCATOR SETTING 5/7 (AWG 22) - 6/7 (AWG20).
 - M10S1 : DIE SET (NOT INCLUDED) S10.
 STOP BUSHING (NOT INCLUDED) SL40.
 - M8ND : DIE SET (NOT INCLUDED) N20RT30.
- SEMI-AUTO CRIMPING MACHINE RCY120.
- EXTRACTION TOOL RX2025GE1 AND RX2025GE2.

** = PLATING IDENTIFICATION

GEN. ST.	01	02	03	05	06	07	08	0D	50	60	70	80	90															
INT. ST.	10	11	12	13	14	18	33	34	38	39	40	42	43	44	45	46	48	56	70	72	73	75	76	81	82	83	84	88

1DEC ±0,2 2DEC ±0,1 ANGLES ±1° HOEKEN	APPR.	DATE	SIGN.	ANTIMAGNETIC RM CONTACT AWG20	
	DRAFT	16-09-98	K.Nietvelt	CAT. No. RM20M13**	
	CHECKED				
WE RESERVE THE RIGHT TO CHANGE DIMENSIONS OR REQUIREMENTS WITHOUT PRIOR NOTICE.	PROD. MGR.			SOURIAU Route Nationale 23 72470 CHAMPAGNE	SCALE
	PR. ENG. MGR.				
ALL DIMENSIONS IN MM	PR. MGT. MGR.				
ALLE AFMETINGEN IN MM	REFERENCES / REFERENTIES			BS, A , 202539, 001, 0C DRAWING NR. CUSTOMER DRAWING	