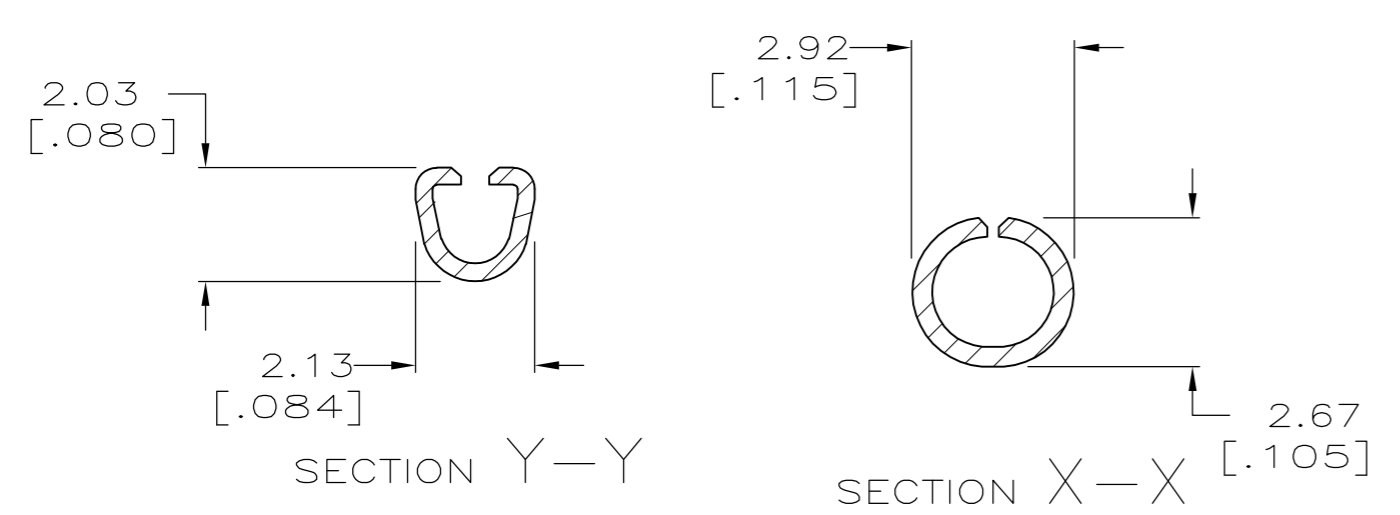
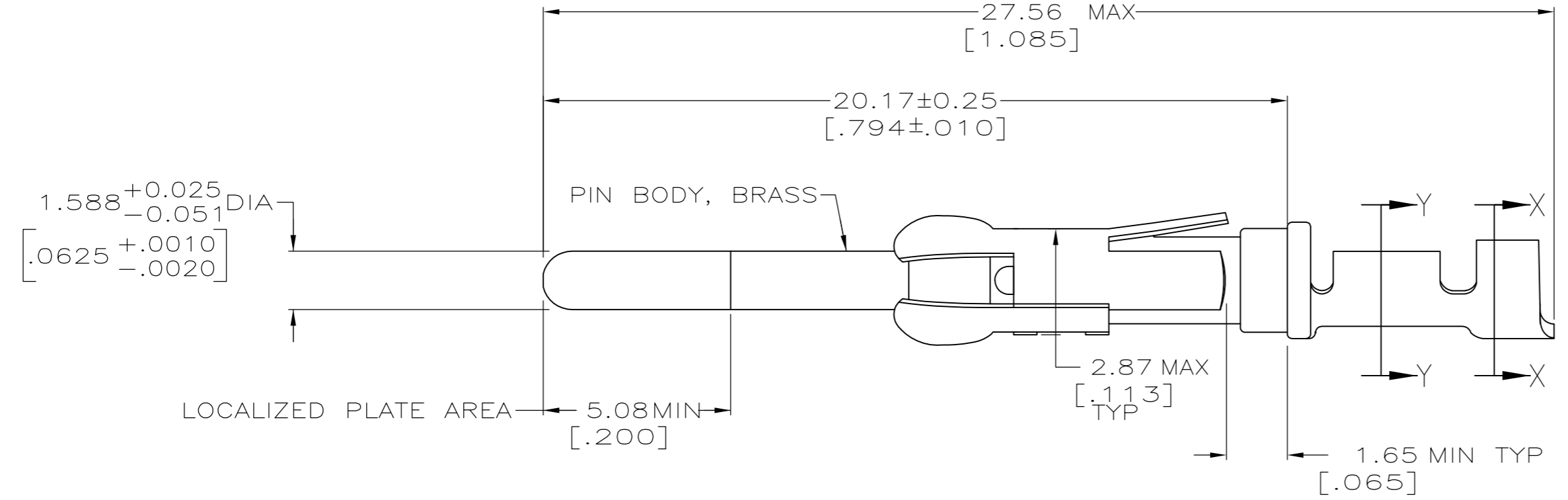
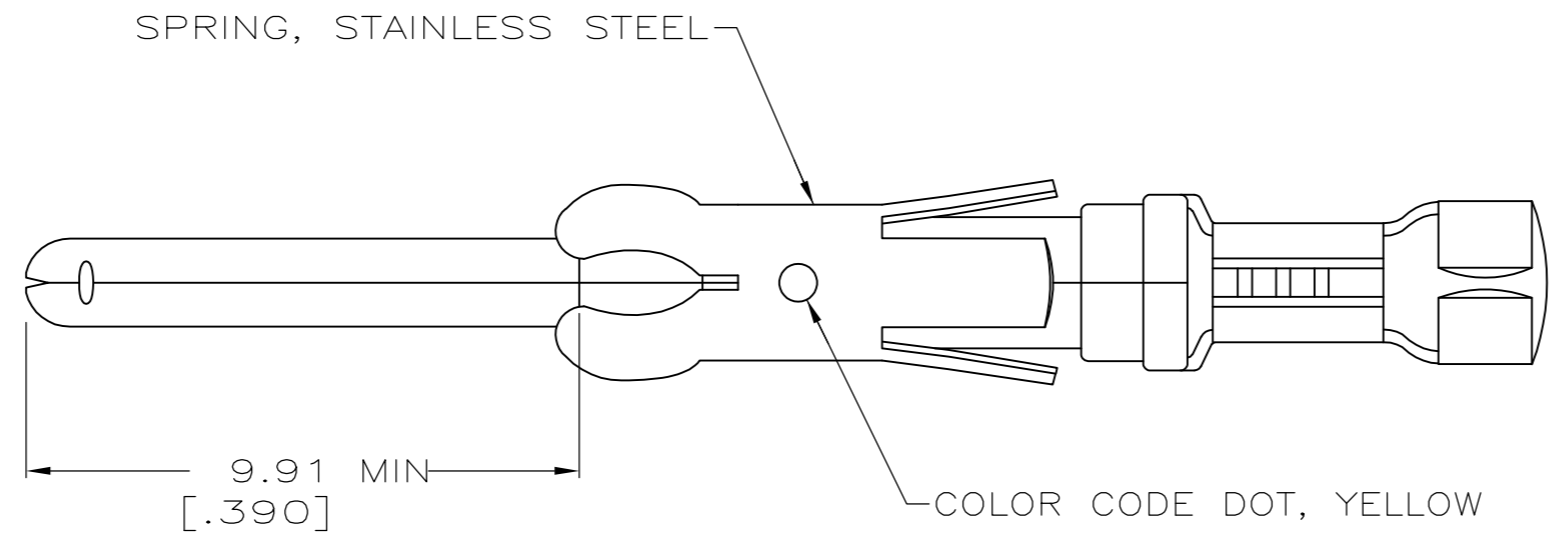


THIS DRAWING IS UNPUBLISHED. RELEASED FOR PUBLICATION
 © COPYRIGHT - By - ALL RIGHTS RESERVED.

LOC	DIST	REVISIONS			
P	LTR	DESCRIPTION	DATE	OWN	APVD
FT	47	L2 REVISED PER ECO-11-005027	11MAR11	RK	HMR



- 1. WIRE RANGE 26-20 AWG.
- 2. OBSOLETE PARTS: OBSOLETE CIS STREAMLINING PER D.RENAUD/D.SINISI

2	OBsolete	SMALL PACK	66182-2
		STANDARD	66182-1
		PACKAGING TYPE	PART NO

THIS DRAWING IS A CONTROLLED DOCUMENT.		DWN	H MOLL	9-27-90	STE TE Connectivity
DIMENSIONS: MM[INCHES]		CHK	J.McCLINTON	12-15-90	
TOLERANCES UNLESS OTHERWISE SPECIFIED:		APVD	A BOULLIANNE	12-10-90	NAME
0 PLC ± -	1 PLC ± -	PRODUCT SPEC	PIN ASSEMBLY, LOOSE PIECE, TYPE III+		
2 PLC ± 0.13[.005]	3 PLC ± -	APPLICATION SPEC	SIZE	CAGE CODE	DRAWING NO
4 PLC ± -	ANGLES ± -	WEIGHT	A2	00779	G-66182
MATERIAL SEE CALL OUT	FINISH PIN BODY: 0.76µm [.00003] MIN GOLD IN LOCALIZE PLATE AREA, 0.25µm [.00001] MIN GOLD ON THE REMAINDER OVER 1.27µm [.00005] MIN NICKEL	CUSTOMER DRAWING	SCALE	8:1	SHEET 1 OF 1
			REV	L2	