

IRIS
Certification
Registration No.: UK0001



Mil-C-5015 Types

ABCIRH

Halogen Free Bayonet Lock Connector Series

TT electronics

AB Connectors Limited

ab Connectors

A Subsidiary of TT electronics plc

AB Connectors

Company Profile

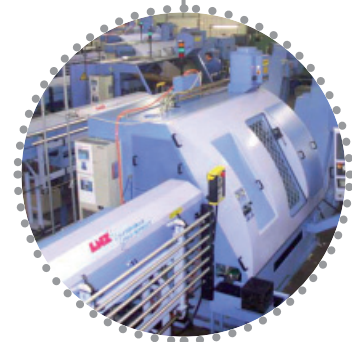
Operating from the principal site in South Wales, U.K., AB Connectors Limited, a subsidiary of TT electronics plc., is one of the recognised market leaders in design, test and manufacture of harsh environment interconnection systems, bespoke harness assemblies and equipment sub-units.

With a satellite assembly facility in North Carolina, USA, and a co-ordinated global sales and distribution network, AB Connectors Ltd. offers an unrivalled service to both engineers and buyers alike.

Through a commitment to a structured new product introduction process, AB Connectors is continuing investment in research and development of new materials and processes, surface treatments and the very latest manufacturing technology and techniques to ensure the products meet the most exacting standards encountered in the modern Military, Mass Transportation and Industrial market places.

Quality system approvals include BS/EN/ISO 9001 along with product approvals to BS9000, IECQ and CECC. As a result of these qualifications, AB Connectors have been awarded several major customer approvals and accreditations.

AB Connectors total commitment to providing customers with high levels of service, cost effectiveness, quality and innovation solutions in interconnection products, make it the ideal first choice supply partner.



ABCIRH Halogen Free Connectors



The **AB Connectors Industrial Range** (H - halogen free) is based on the products covered by the American MilC-5015 and the German VG95234 specifications. These connectors are used extensively throughout the mass transportation, entertainment and general industrial markets.

ABCIRH connectors are interchangeable with all corresponding types and feature contact arrangements from Mil-STD-1651. Positive coupling is indicated by an audible 'snap' and by the alignment of three coloured dots on the receptacle and on the coupling nut of the plug connector.

To enhance service life in applications where the connectors are likely to experience severe vibration or repeated mating, ABCIRH connectors feature stainless steel anti-wear pins at the critical point of the receptacle coupling ramps.

In response to safety and environmental requirements, ABCIRH connectors have as standard, low fire hazard/halogen free rubber insulators which have been independently tested and shown to conform to the requirements of French specification NF F 16-101 classification 12 F1 and to British specification BS 6853 app. A clause A.9 and app. B clause B.5.1. Connector shells can also be supplied with cadmium free plating finishes.



Protection against water and dust ingress is provided by the use of a dynamic seal ring under the coupling nut and by an individual wire seal grommet at the rear of the connector. A wavy washer assembly, also under the coupling nut and a comprehensive range of back shells and accessories, ensure excellent continuity and shielding characteristics between mated connectors where the effects of EMI and RFI must be eliminated.

ABCIRH Connectors

Catalogue Index

| | Page |
|---|------|
| General Information..... | 2 |
| Electrical Data | 3 |
| Part Number Explanation..... | 4 |
| F80 Contact arrangements..... | 5 |
| F80 Contact Arrangement Selection Chart..... | 18 |
| Alternative Insert Orientations..... | 20 |
| F80 Crimp Contacts - Pin | 22 |
| F80 Crimp Contacts - Socket..... | 23 |
| F80 Crimp Contacts - Low Insertion Force Socket | 24 |
| F80 Coaxial Contacts | 25 |
| F80 Twinaxial Contacts | 26 |
| Front Mounting Receptacle - ABCIRH00 | 27 |
| Cable Mounted Receptacle - ABCIRH01 | 31 |
| Rear Mounting Receptacle - ABCIRH03 | 34 |
| Size 49 Front Mounting Receptacle - ABCIRH04 | 38 |
| Size 49 Rear Mounting Receptacle - ABCIRH05 | 39 |
| Plug - ABCIRH06/SE06 | 40 |
| Plug, Rubber Covered Coupling Nut -ABCIRHP06..... | 43 |
| Size 49 Plug - ABCIRHP06 | 46 |
| Through Bulkhead Receptacle - ABCIRH07 | 47 |
| Rear Mounting Single Hole Receptacle - ABCIRH09 | 48 |
| Panel Mounted Plug - ABCIRH12A | 52 |
| Conduit Adaptor With Braid Screen Trap - Type RM (CRA) | 53 |
| Non-Locking Cable Clamp - Type D (OCN) | 54 |
| Non-Locking Grommet Nut - Type EV | 55 |
| Locking 90° Outlet With Cable Clamp & Bushing - Type F..... | 56 |
| Locking 90° Outlet With Sealed Cable Clamp - Type FC..... | 57 |
| Locking 90° Outlet - Type FT | 58 |
| Locking 90° Outlet, RFI - Type FM | 59 |
| Locking Heatshrink Adaptor - Type G (HSA) | 60 |
| Locking RFI Shielded Adaptor - Type GM (LHSA) | 61 |
| Non-Locking Heatshrink Adaptor - Type GS (HSAS) | 62 |
| Locking Armoured Conduit Adaptor - Type H (ACA) | 63 |
| Locking Cable Clamp With Bushing - Type HC | 64 |
| Locking Sealed Cable Clamp - Type HD | 65 |
| Non-Locking Cable Clamp With Bushing - Type JE | 66 |
| Locking Screened Cable Adaptor - Type M (SCA) | 67 |
| Non-Locking Conduit Adaptor - Type R (CCA) | 68 |
| Non-Locking Sealed Cable Clamp - Type RC | 69 |
| Long Backshell With Cable Clamp & Bushing - Type XLA..... | 70 |
| Long Backshell With Sealed Cable Clamp - Type XLC | 71 |
| Long Backshell With Grommet - Type SHE | 72 |
| PG Threaded Adaptors (DIN 40430) | 73 |
| Cable Clamp - Type MS3057A | 74 |
| Cable Clamp - Type MS3057C | 75 |
| Telescopic Bushing | 76 |
| Panel Sealing Gaskets | 77 |
| Protective Caps | 78 |
| Wire Sealing Grommets | 79 |
| Dummy Pins, Sockets & Grommet Filler Plugs | 79 |
| Stowage Receptacles | 80 |
| Square Flange Receptacle Nut Plates | 81 |
| Square Flange Receptacles, Panel Mounting Details | 82 |
| Single Hole Mounting Receptacles, Panel Mounting Details..... | 83 |
| Contact Insertion & Extraction Tools | 84 |
| Socket Guide Pins | 84 |
| F80 Contacts, Crimp & Tooling Data | 85 |
| F80 Coax & Twinax Contacts, Crimp & Tooling Data | 87 |

ABCIRH Connectors

General Information

Standard Data

Materials:

| | |
|--|-------------------------|
| Connector metalwork: | Aluminium alloy |
| Insulator, grommet & bushing: | Low Fire Hazard, rubber |
| Contacts: | Copper alloy |
| Accessory hardware: | Aluminium alloy |

Standard Plating Finishes:

| | |
|-------------------------|--|
| Aluminium parts: | Olive drab chromate over zinc cobalt or Olive drab chromate over cadmium plate.* |
| Contacts: | Silver or Gold. |

* Consult factory for alternative finishes.

Environmental Ratings:

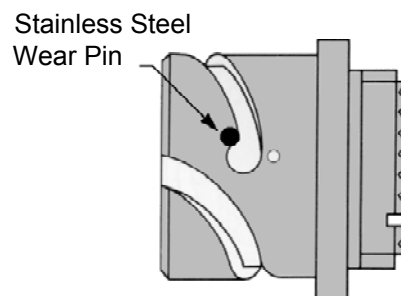
| | |
|---------------------------|--|
| Temperature range: | -55°C to + 200°C |
| Shock severity: | 75g |
| Vibration: | 5-500 Hz long endurance. 30 hour test at 10g. |
| Acceleration: | 50g. |

Mechanical Features:

| | |
|-----------------------------|---|
| Coupling: | 3 pin bayonet. |
| Number of contacts: | 2 to 85 |
| Contact termination: | Crimp or p.c. tail. |
| Sealing: | Dynamic sealing ring & individual wire seal grommet. When mated and used with appropriate sealed backshell, IP67 rated. |
| Matings: | 2000. |

ABCIRH Connectors:

ABCIRH connectors feature stainless steel pins at critical wear points of the cam tracks of all receptacle shells, to protect from wear inflicted by continuous mating / de-mating and vibration.



Note. The company reserves the right and may change or vary specification without prior written notice.

ABCIRH Connectors Electrical Data

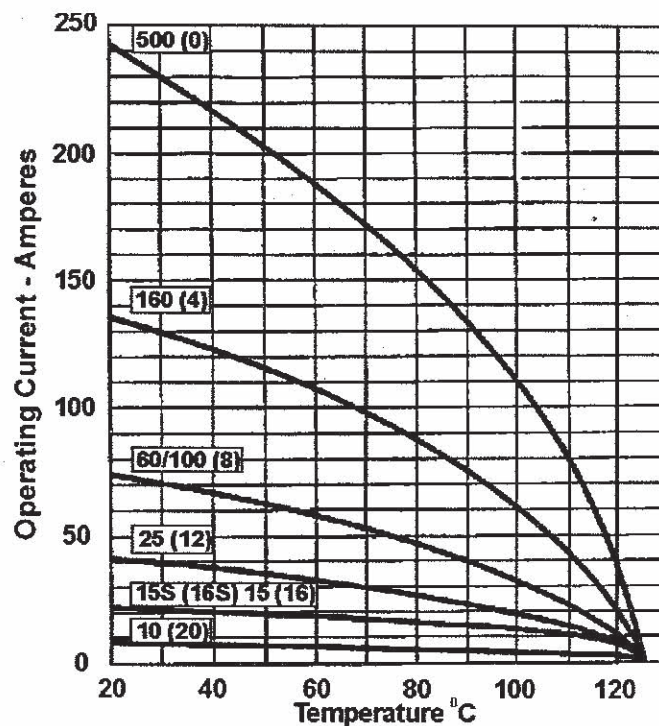
Contact Current Ratings

| Contact Size | | *Maximum Current @ 20° C (68° F) | *Rated Current @ 85° C (185° F) | **De-rated Current @ 85° C (185° F) |
|--------------|--------|-------------------------------------|------------------------------------|--|
| AWG | Metric | | | |
| 16/16S | 15/15S | 22A | 13A | 10A |
| 12 | 25 | 41A | 23A | 20A |
| 8 | 100 | 73A | 46A | 42A |
| 4 | 160 | 135A | 80A | 75A |
| 0 | 500 | 245A | 150A | 135A |

* Single contact in isolation

** Grouped contacts

Contact Current De-Rating Curve

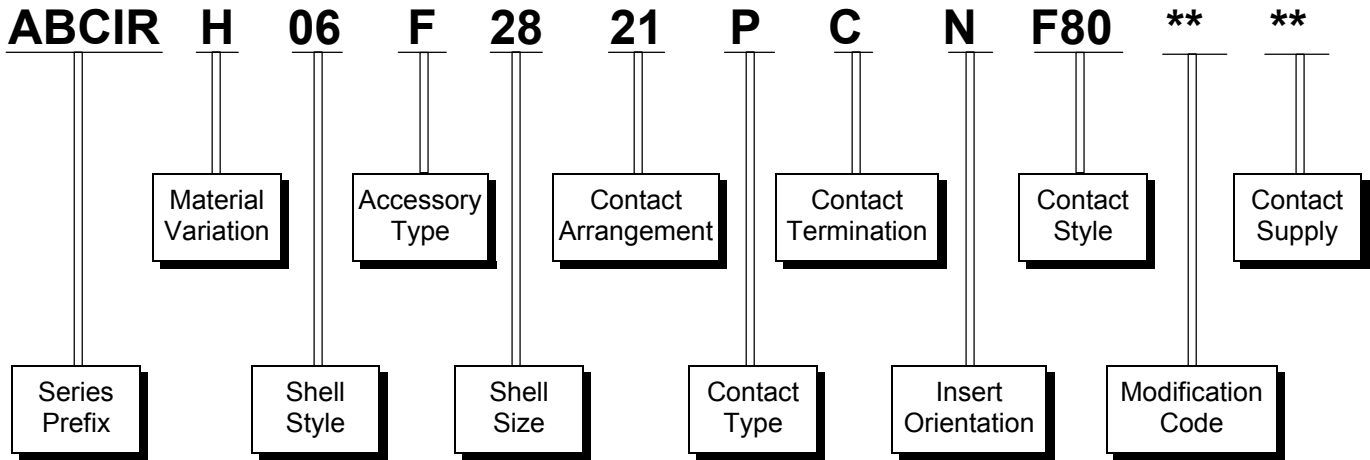


Contact Arrangement Service Ratings

| Service Rating | Inst. | Sea Level | | |
|----------------------------------|---------|-----------|---------|---------|
| | | A | D | E |
| Working Voltage DC or AC Peak | 350 V | 700 V | 1,250 V | 1,750 V |
| Voltage Proof AC RMS | 1,000 V | 2,000 V | 2,800 V | 3,500 V |
| Minimum Flashover AC RMS | 1,400 V | 2,800 V | 3,600 V | 4,500 V |

ABCIRH Connectors

Part Number Explanation

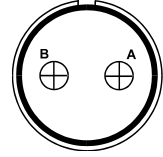
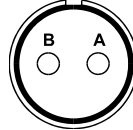
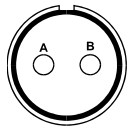


| | |
|----------------------------|--|
| Series: | ABCIR |
| Material variation: | H - Low fire hazard |
| Shell style: | 00 - 4 hole square flange receptacle, front panel mounted. 01 - Cable mounted receptacle. 03 - 4 hole square flange receptacle, rear panel mounted. 06 - Plug. No RFI grounding. P06 - Plug, rubber covered coupling nut. No RFI grounding. SE06 - Plug with RFI grounding. 07 - Through bulkhead receptacle. 08 - Plug with 90° angled outlet. No RFI grounding. SE08 - Plug with 90° angled outlet. RFI grounding. 09 - Single hole mounted receptacle. |

| | |
|-----------------------------|--|
| Accessory type: | See relevant catalogue pages. |
| Shell size: | 10SL to 49. |
| Contact arrangement: | See pages 5 to 17. |
| Contact type: | P pin, S socket, H pin/socket assembly for bulkhead connector style 07. |
| Contact termination: | C crimp removeable, (except for style 07 which are bonded, non-removeable, no designation in part number). |
| Insert orientation: | N normal. WXYZ alternative insert positions. See pages 20 & 21. |
| Contact style: | F80 |
| Modification code: | Please consult factory. |
| Contact supply: | Silver plated contacts, no designation. P3 gold plated. V0 connector supplied without contacts. |

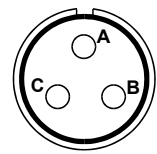
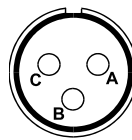
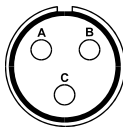
F80 Contact Arrangements

2 Contacts



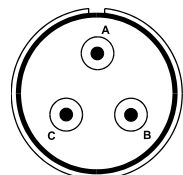
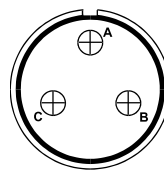
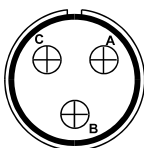
| | | | |
|----------------------------------|----------------|----------------|--------------|
| Contact Arrangement | 10SL-4 | 14S-9 | 18-3 |
| No. Contacts x Size AWG (Metric) | 2 x #16S (15S) | 2 x #16S (15S) | 2 x #12 (25) |
| Service Rating | A | A | D |

3 Contacts

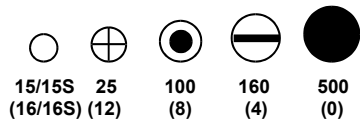


| | | | |
|----------------------------------|----------------|----------------|----------------|
| Contact Arrangement | 10SL-3 | 14S-7 | 16S-5 |
| No. Contacts x Size AWG (Metric) | 3 x #16S (15S) | 3 x #16S (15S) | 3 x #16S (15S) |
| Service Rating | A | A | A |

3 Contacts

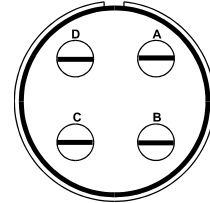
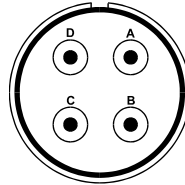
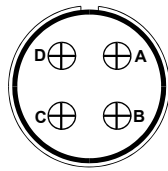


| | | | |
|----------------------------------|--------------|--------------|--------------|
| Contact Arrangement | 16-10 | 20-3 | 22-2 |
| No. Contacts x Size AWG (Metric) | 3 x #12 (25) | 3 x #12 (25) | 3 x #8 (100) |
| Service Rating | A | D | D |



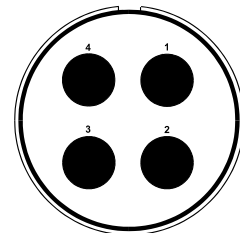
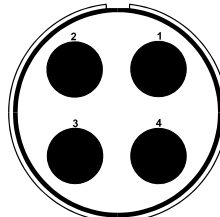
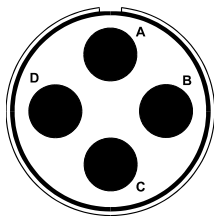
F80 Contact Arrangements

4 Contacts



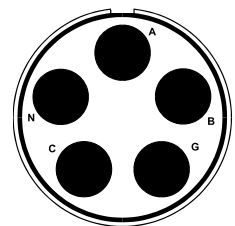
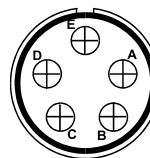
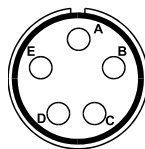
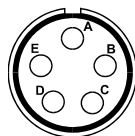
| | | | |
|----------------------------------|--------------|--------------|--------------|
| Contact Arrangement | 20-4 | 24-22 | 32-17 |
| No. Contacts x Size AWG (Metric) | 4 x #12 (25) | 4 x #8 (100) | 4 x #4 (160) |
| Service Rating | D | D | D |

4 Contacts

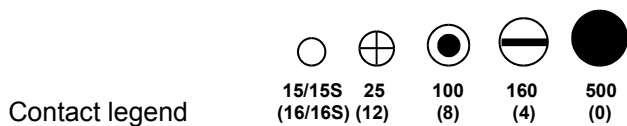


| | | | |
|----------------------------------|--------------|--------------|--------------|
| Contact Arrangement | 36-5 | 40-E4 | 49-A4 |
| No. Contacts x Size AWG (Metric) | 4 x #0 (500) | 4 x #0 (500) | 4 x #0 (500) |
| Service Rating | A | E | D |

5 Contacts

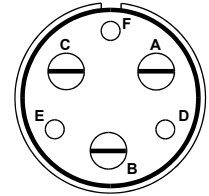
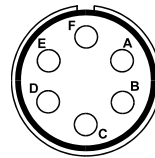
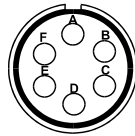


| | | | | |
|----------------------------------|----------------|----------------|--------------|--------------|
| Contact Arrangement | 14S-5 | 16S-8 | 18-11 | 40-A5 |
| No. Contacts x Size AWG (Metric) | 5 x #16S (15S) | 5 x #16S (15S) | 5 x #12 (25) | 5 x #0 (500) |
| Service Rating | Inst. | A | A | A |



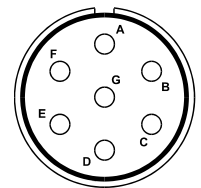
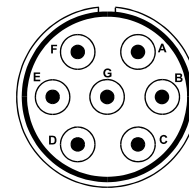
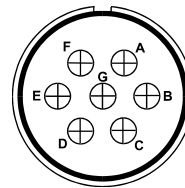
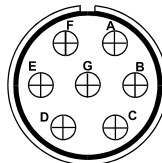
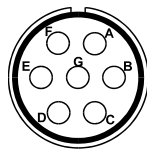
F80 Contact Arrangements

6 Contacts



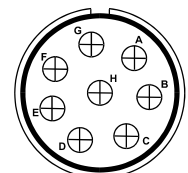
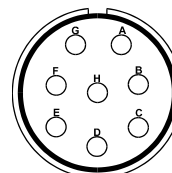
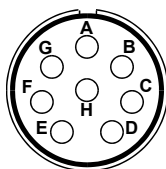
| | | | |
|----------------------------------|---------------|-------------|--------------------------|
| Contact Arrangement | 14S-6 | 18-12 | 28-22 |
| No. Contacts x Size AWG (Metric) | 6 # 16S (15S) | 6 # 16 (15) | 3 # 16 (15), 3 # 4 (160) |
| Service Rating | Inst. | A | D |

7 Contacts

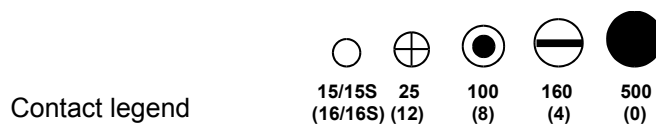


| | | | | | |
|----------------------------------|---------------|-------------|-------------|-------------|-------------|
| Contact Arrangement | 16S-1 | 20-15 | 24-2 | 24-10 | 24-27 |
| No. Contacts x Size AWG (Metric) | 7 # 16S (15S) | 7 # 12 (25) | 7 # 12 (25) | 7 # 8 (100) | 7 # 16 (15) |
| Service Rating | A | A | D | A | E |

8 Contacts

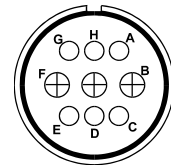
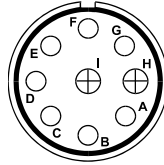
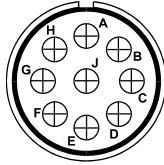


| | | | |
|----------------------------------|--------------------------|----------------------------|--------------------|
| Contact Arrangement | 20-7 | 22-18 | 22-23 |
| No. Contacts x Size AWG (Metric) | 8 x #16 (15) | 8 x #16 (15) | 8 x #12 (25) |
| Service Rating | A,B,H,G = D, Balance = A | A,B,F,G,H = D, Balance = A | H = D, Balance = A |



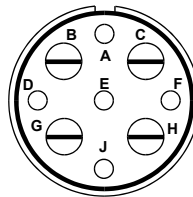
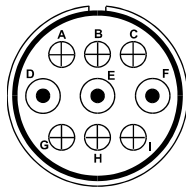
F80 Contact Arrangements

9 Contacts



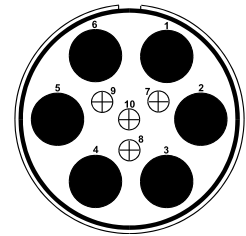
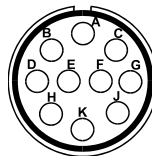
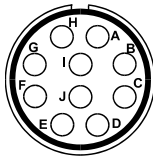
| | | | |
|---------------------|------------------------|--------------|--------------|
| Contact Arrangement | 20-A9 | 20-16 | 20-18 |
| No. Contacts x | | 7 x # 6 (15) | 6 x #16 (15) |
| Size AWG (Metric) | 9 x #12 (25) | 2 x #12 (25) | 3 x #12 (25) |
| Service Rating | J = D. Balance = Inst. | A | A |

9 Contacts

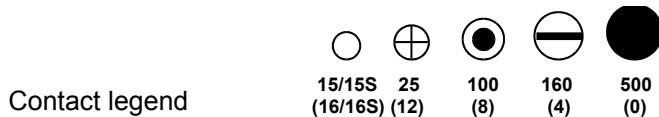


| | | |
|---------------------|--------------|--------------|
| Contact Arrangement | 24-11 | 28-A9 |
| No. Contacts x | 6 x #12 (25) | 4 x #4 (160) |
| Size AWG (Metric) | 3 x #8 (100) | 5 x #16 (15) |
| Service Rating | A | A |

10 Contacts

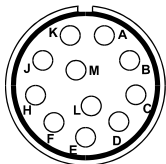


| | | | |
|---------------------|------------------------------|---------------|---------------|
| Contact Arrangement | 18-1 | 18-19 | 49-10 |
| No. Contacts x | | | 4 x #12 (25) |
| Size AWG (Metric) | 10 x #16 (15) | 10 x #16 (15) | 6 x # 0 (500) |
| Service Rating | B,C,F,G = A. Balance = Inst. | A | D |



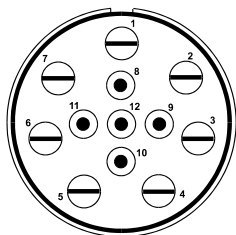
F80 Contact Arrangements

11 Contacts



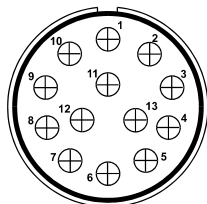
| | |
|----------------------------------|---------------|
| Contact Arrangement | 20-33 |
| No. Contacts x Size AWG (Metric) | 11 x #16 (15) |
| Service Rating | A |

12 Contacts



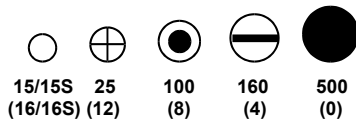
| | |
|----------------------------------|------------------------------|
| Contact Arrangement | 49-A12 |
| No. Contacts x Size AWG (Metric) | 5 x #8 (100) 7 x #4 (160) |
| Service Rating | D |

13 Contacts



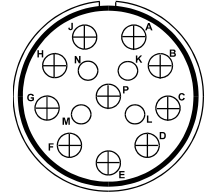
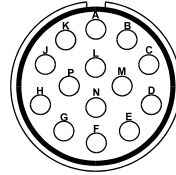
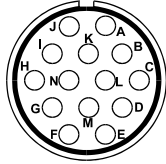
| | |
|----------------------------------|---------------|
| Contact Arrangement | 32-A13 |
| No. contacts x Size AWG (Metric) | 13 x #12 (25) |
| Service Rating | D |

Contact legend



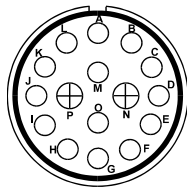
F80 Contact Arrangements

14 Contacts



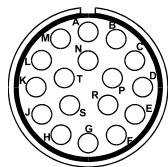
| | | | |
|----------------------------------|---------------|---------------|-------------------------------|
| Contact Arrangement | 20-27 | 22-19 | 28-20 |
| No. Contacts x Size AWG (Metric) | 14 x #16 (15) | 14 x #16 (15) | 4 x #16 (15) 10 x #12 (25) |
| Service Rating | A | A | A |

16 Contacts



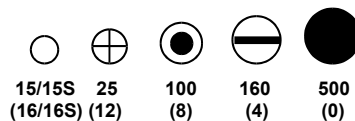
| | |
|----------------------------------|-------------------------------|
| Contact Arrangement | 24-7 |
| No. Contacts x Size AWG (Metric) | 14 x #16 (15) 2 x #12 (25) |
| Service Rating | A |

17 Contacts



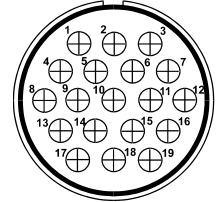
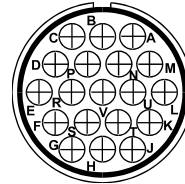
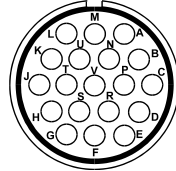
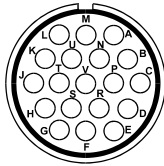
| | |
|----------------------------------|---------------|
| Contact Arrangement | 20-29 |
| No. Contacts x Size AWG (Metric) | 17 x #16 (15) |
| Service Rating | A |

Contact legend



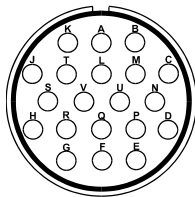
F80 Contact Arrangements

19 Contacts



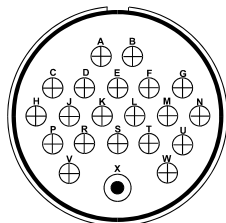
| | | | | |
|----------------------------------|---------------|---------------|---------------|---------------|
| Contact Arrangement | 20-A48 | 22-14 | 24-67 | 32-76 |
| No. Contacts x Size AWG (Metric) | 19 x #16 (15) | 19 x #16 (15) | 19 x #12 (25) | 19 x #12 (25) |
| Service Rating | Inst. | A | A | A |

20 Contacts

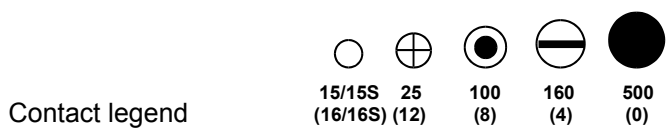


| | |
|----------------------------------|---------------|
| Contact Arrangement | 28-16 |
| No. Contacts x Size AWG (Metric) | 20 x #16 (15) |
| Service Rating | A |

21 Contacts

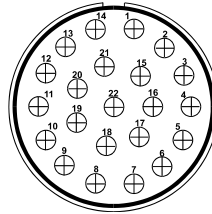
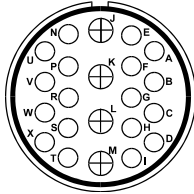


| | |
|----------------------------------|-------------------------------|
| Contact Arrangement | 40-D21 |
| No. Contacts x Size AWG (Metric) | 20 x #12 (25) 1 x #8 (100) |
| Service Rating | D |



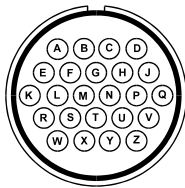
F80 Contact Arrangements

22 Contacts



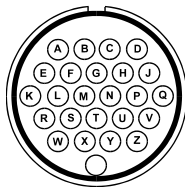
| | | |
|----------------------------------|-----------------------------|--------------|
| Contact Arrangement | 28-11 | 36-A22 |
| No. Contacts x Size AWG (Metric) | 18 # 16 (15) 4 # 12 (25) | 22 # 12 (25) |
| Service Rating | A | D |

24 Contacts

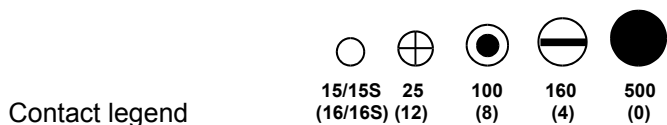


| | |
|----------------------------------|---------------|
| Contact Arrangement | 24-28 |
| No. Contacts x Size AWG (Metric) | 24 x #16 (15) |
| Service Rating | Inst. |

25 Contacts

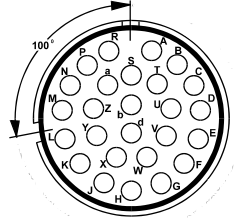
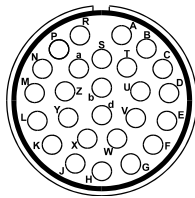


| | |
|----------------------------------|---------------|
| Contact Arrangement | 24-A25 |
| No. Contacts x Size AWG (Metric) | 25 x #16 (15) |
| Service Rating | A |



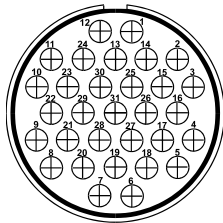
F80 Contact Arrangements

26 Contacts



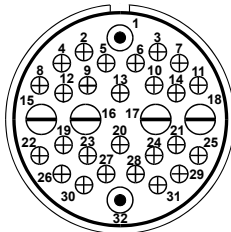
| | | |
|----------------------------------|---------------|--|
| Contact Arrangement | 28-12 | 28-13 |
| No. Contacts x Size AWG (Metric) | 26 x #16 (15) | 28-12 Rotated by 100° 26 x #16 (15) |
| Service Rating | A | A |

31 Contacts

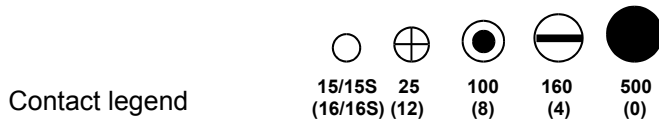


| | |
|----------------------------------|---------------|
| Contact Arrangement | 40-A31 |
| No. Contacts x Size AWG (Metric) | 31 x #12 (25) |
| Service Rating | D |

32 Contacts

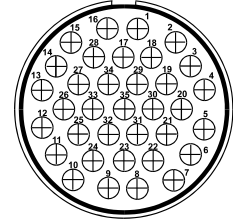
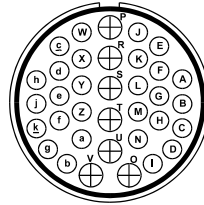
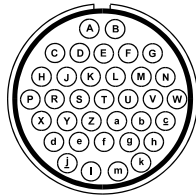


| | |
|----------------------------------|---|
| Contact Arrangement | 49-D32 |
| No. Contacts x Size AWG (Metric) | 26 x #12 (25), 2 x #8 (100) 4 x Coax |
| Service Rating | D |



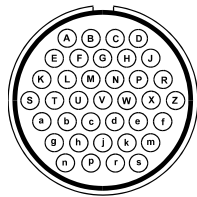
F80 Contact Arrangements

35 Contacts



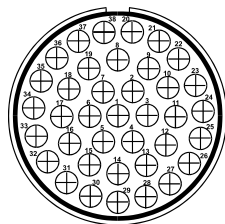
| | | | |
|----------------------------------|---------------|-------------------------------|---------------|
| Contact Arrangement | 28-15 | 32-7 | 40-A35 |
| No. Contacts x Size AWG (Metric) | 35 x #16 (15) | 28 x #16 (15), 7 x #12 (25) | 35 x #12 (25) |
| Service Rating | A | A,B,h & j = Inst. Balance = A | D |

37 Contacts

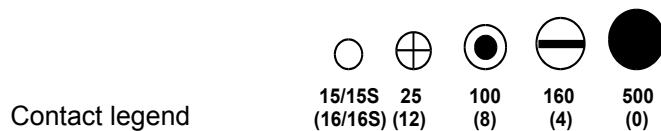


| | |
|----------------------------------|--------------|
| Contact Arrangement | 28-21 |
| No. Contacts x Size AWG (Metric) | 37 # 16 (15) |
| Service Rating | A |

38 Contacts

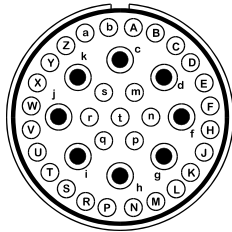


| | |
|----------------------------------|--------------|
| Contact Arrangement | 40-A38 |
| No. Contacts x Size AWG (Metric) | 38 # 12 (25) |
| Service Rating | A |



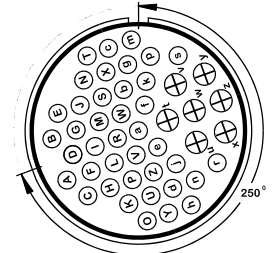
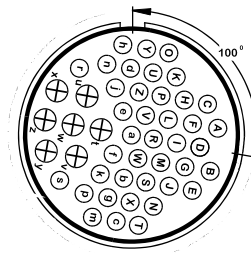
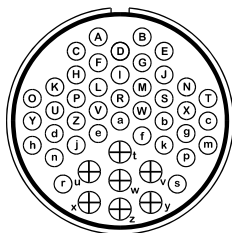
F80 Contact Arrangements

39 Contacts



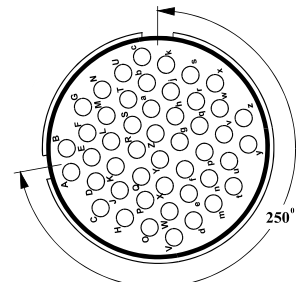
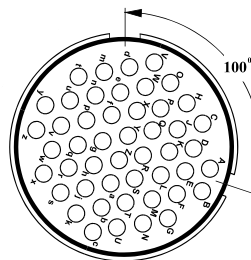
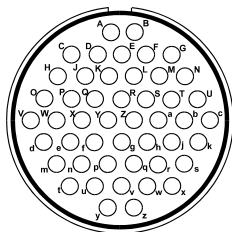
| | | |
|------------------------------|-----------------------------|-----|
| Contact Arrangement | 36-54 | No. |
| Contacts x Size AWG (Metric) | 31 x #16 (15), 8 x #8 (100) | |
| Service Rating | Δ | |

47 Contacts

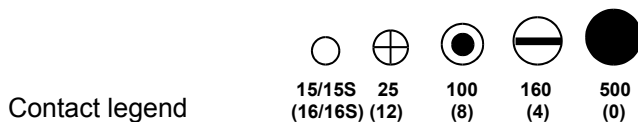


| | | | |
|----------------------------------|-----------------------------|----------------------|----------------------|
| Contact Arrangement | 36-7 | 36-16 | 36-17 |
| No. Contacts x Size AWG (Metric) | 40 x #16 (15), 7 x #12 (25) | 36-7 Rotated by 100° | 36-7 Rotated by 250° |
| Service Rating | Δ | | |

48 Contacts

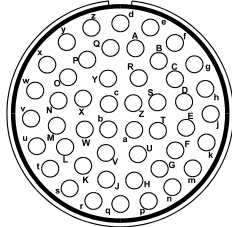


| | | | |
|----------------------------------|---------------|-----------------------|-----------------------|
| Contact Arrangement | 36-10 | 36-11 | 36-12 |
| No. Contacts x Size AWG (Metric) | 48 x #16 (15) | 36-10 Rotated by 100° | 36-10 Rotated by 250° |
| Service Rating | A | | |



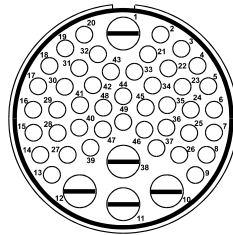
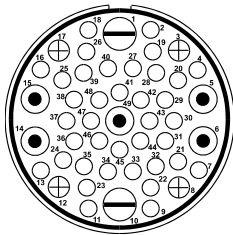
F80 Contact Arrangements

48 Contacts



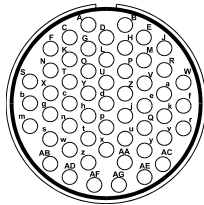
| | |
|----------------------------------|--------------|
| Contact Arrangement | 36-A48 |
| No. Contacts x Size AWG (Metric) | 48 # 16 (15) |
| Service Rating | Inst. |

49 Contacts

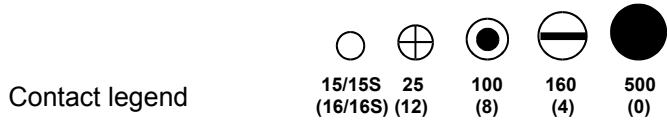


| | | | |
|------------------------------|---|-----------------------------|-----|
| Contact Arrangement | 49-A49 | 49-D1 | No. |
| Contacts x Size AWG (Metric) | 38 x #16 (15), 4 x #12 (25) 5 x #8 (100), 2 x #4 (160) | 44 # 16 (15) 5 # 4 (160) | |
| Service Rating | D | D | |

54 Contacts

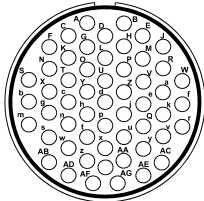


| | |
|----------------------------------|---------------|
| Contact Arrangement | 32-22 |
| No. Contacts x Size AWG (Metric) | 54 x #16 (15) |
| Service Rating | A |



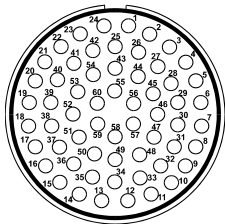
F80 Contact Arrangements

55 Contacts



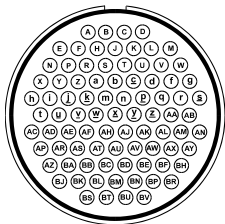
| | |
|----------------------------------|--------------|
| Contact Arrangement | 32-A55 |
| No. Contacts x Size AWG (Metric) | 55 # 16 (15) |
| Service Rating | A |

60 Contacts

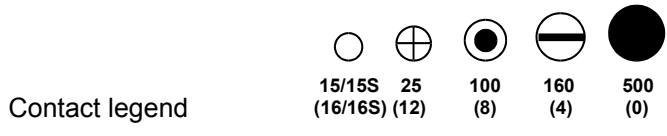


| | |
|----------------------------------|--------------|
| Contact Arrangement | 40-A60 |
| No. Contacts x Size AWG (Metric) | 60 # 16 (15) |
| Service Rating | A |

85 Contacts



| | |
|----------------------------------|--------------|
| Contact Arrangement | 40-56 |
| No. Contacts x Size AWG (Metric) | 85 # 16 (15) |
| Service Rating | A |



F80 Contact Arrangements Selection Chart

| Contact Size AWG(Metric) & Current Rating (Derated) | | | | | | | | | |
|---|------------|-------------|-----------------|---------|---------|---------|---------|-------------------|----------------|
| Amps at 85° C | | | | | | | | | |
| Shell Size | Cont. Arr. | No. of Cts. | 16/16S (15/15S) | 12 (25) | 8 (100) | 4 (160) | 0 (500) | Shell Orientation | Service Rating |
| 10SL | 3 | 3 | 3x10A | | | | | N | A |
| 10SL | 4 | 2 | 2x10A | | | | | N | A |
| 14S | 5 | 5 | 5x10A | | | | | NX | Inst. |
| 14S | 6 | 6 | 6x10A | | | | | NW | Inst. |
| 14S | 7 | 3 | 3x10A | | | | | NWXY | A |
| 14S | 9 | 2 | 2x10A | | | | | NWXYZ | A |
| 16S | 1 | 7 | 7x10A | | | | | NWZ | A |
| 16S | 5 | 3 | 3x10A | | | | | NWXYZ | A |
| 16S | 8 | 5 | 5x10A | | | | | NXY | A |
| 16 | 10 | 3 | | 3x20A | | | | NWXY | A |
| 18 | 1 | 10 | 10x10A | | | | | NWXYZ | *A&Inst |
| 18 | 3 | 2 | | 2x20A | | | | NWXYZ | D |
| 18 | 11 | 5 | | 5x20A | | | | NXY | A |
| 18 | 12 | 6 | 6x10A | | | | | NWZ | A |
| 18 | 19 | 10 | 10x10A | | | | | NXY | A |
| 20 | 3 | 3 | | 3x20A | | | | NWXYZ | D |
| 20 | 4 | 4 | | 4x20A | | | | NWXY | D |
| 20 | 7 | 8 | 8x10A | | | | | NWXYZ | *A&D |
| 20 | A9 | 9 | | 9x20A | | | | NXY | *D&Inst |
| 20 | 15 | 7 | | 7x20A | | | | NWZ | A |
| 20 | 16 | 9 | 7x10A | 2x20A | | | | NWXYZ | A |
| 20 | 18 | 9 | 6x10A | 3x20A | | | | NWXYZ | A |
| 20 | 27 | 14 | 14x10A | | | | | NWXYZ | A |
| 20 | 29 | 17 | 17x10A | | | | | NWZ | A |
| 20 | 33 | 11 | 11x10A | | | | | NZ | A |
| 20 | A48 | 19 | 19x10A | | | | | NXY | Inst |
| 22 | 2 | 3 | | | 3x42A | | | NWXYZ | D |
| 22 | 14 | 19 | 19x10A | | | | | NWXYZ | A |
| 22 | 18 | 8 | 8x10A | | | | | NWXYZ | *A&D |
| 22 | 19 | 14 | 14x10A | | | | | NWXYZ | A |
| 22 | 23 | 8 | | 8x20A | | | | NWY | *A&D |
| 24 | 2 | 7 | | 7x20A | | | | NWZ | D |
| 24 | 7 | 16 | 14x10A | 2x20A | | | | NWXYZ | A |
| 24 | 10 | 7 | | | 7x42A | | | NWZ | A |
| 24 | 11 | 9 | | 6x20A | 3x42A | | | NWXYZ | A |
| 24 | 22 | 4 | | | 4x42A | | | NWXY | D |
| 24 | 27 | 7 | 7x10A | | | | | NWZ | E |
| 24 | 28 | 24 | 24x10A | | | | | NWXYZ | Inst. |
| 24 | 67 | 19 | | 19x20A | | | | NWZ | A |
| 24 | A25 | 25 | 25x10A | | | | | NWXYZ | A |

***Contact Arrangements/Service Ratings**

18-1 Contacts B,C,F,G = A. Balance = Inst.
 20-7 Contacts C,D,E,F = A Balance = D
 22-23 Contact H = D Balance = A

20-A9 Contact J = D Balance = Inst.
 22-18 Contacts A,B,F,G,H = D Balance = A

F80 Contact Arrangements Selection Chart.

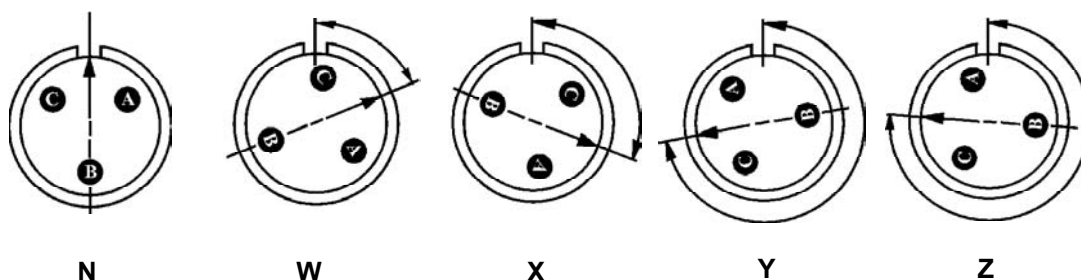
| Contact Size AWG(Metric) & Current Rating (Derated) Amps at 85° C | | | | | | | | | |
|--|------------|-------------|--------------------|------------|---------------|------------|------------|-------------------|----------------|
| Shell Size | Cont. Arr. | No. of Cts. | 16/16S (15/15S) | 12 (25) | 8 (60/100) | 4 (160) | 0 (500) | Shell Orientation | Service Rating |
| 28 | 11 | 22 | 18x10A | 4x20A | | | | NWXYZ | A |
| 28 | 12 | 26 | 26x10A | | | | | NWXY | A |
| 28 | 13 | 26 | 26x10A | | | | | - | A |
| 28 | 15 | 35 | 35x10A | | | | | NWXYZ | A |
| 28 | 16 | 20 | 20x10A | | | | | NWXYZ | A |
| 28 | 20 | 14 | 4x10A | 10x20A | | | | NWXYZ | A |
| 28 | 21 | 37 | 37x10A | | | | | NWXYZ | A |
| 28 | 22 | 6 | 3x10A | | | 3x75A | | NWXYZ | D |
| 28 | A9 | 9 | 5X10A | | | 4X75A | | NWXYZ | A |
| 32 | 7 | 35 | 28x10A | 7x20A | | | | NWXYZ | *A&Inst |
| 32 | 17 | 4 | | | | 4x75A | | NWXY | D |
| 32 | 22 | 54 | 54x10A | | | | | NWXYZ | A |
| 32 | 76 | 19 | | 19x20A | | | | NWXYZ | A |
| 32 | A13 | 13 | | 13x20A | | | | NWXYZ | D |
| 32 | A55 | 55 | 55x10A | | | | | NWXYZ | A |
| 36 | 5 | 4 | | | | | 4x135A | NXY | A |
| 36 | 7 | 47 | 40x10A | 7x20A | | | | NWXYZ | A |
| 36 | 10 | 48 | 48x10A | | | | | NWXYZ | A |
| 36 | 11 | 48 | 48x10A | | | | | - | A |
| 36 | 12 | 48 | 48x10A | | | | | - | A |
| 36 | 16 | 47 | 40x10A | 7x20A | | | | - | A |
| 36 | 17 | 47 | 40x10A | 7x20A | | | | - | A |
| 36 | A22 | 22 | | 22x20A | | | | NWXYZ | D |
| 36 | A48 | 48 | 48x10A | | | | | NW | Inst |
| 36 | 54 | 39 | 31x10A | | 8x42A | | | NW | A |
| 40 | 56 | 85 | 85x10A | | | | | NWXYZ | A |
| 40 | A5 | 5 | | | | | 5x135A | NWZ | A |
| 40 | A31 | 31 | | 31x20A | | | | NWXYZ | D |
| 40 | A35 | 35 | | 35x20A | | | | NWXYZ | D |
| 40 | A38 | 38 | | 38x20A | | | | NWXYZ | A |
| 40 | A60 | 60 | 60x10A | | | | | NWXYZ | A |
| 40 | E4 | 4 | | | | | 4x135A | NWX | E |
| 40 | D21 | 21 | | 20x20A | 1x42A | | | NW | D |
| 49 | A4 | 4 | | | | | 4x135A | N | D |
| 49 | A10 | 10 | | 4x20A | | | 6x135A | N | D |
| 49 | A12 | 12 | | | 5x42A | 7x75A | | N | D |
| 49 | D32 | 32 | | 26x20A | 2x42A | 4xCoax | | N | D |
| 49 | A49 | 49 | 38x10A | 4x20A | 5x42A | 2xCoax | | N | D |
| 49 | D1 | 49 | 44x10A | | | 5xCoax | | N | D |

***Contact Arrangements/Service Ratings**

32-7 Contacts A,B,H,J = Inst Balance = A

Alternative Insert Orientations

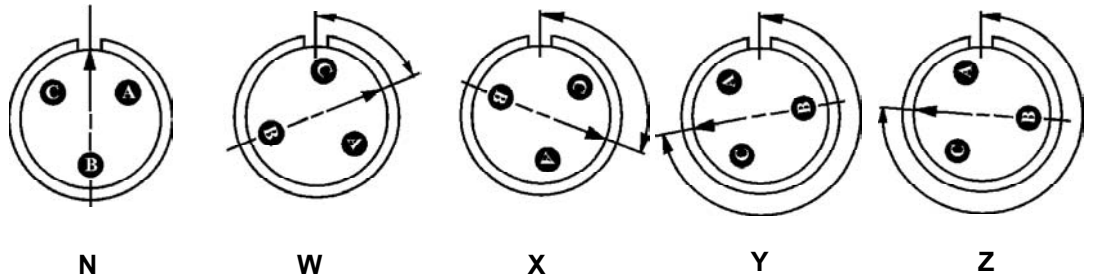
View on Mating Face of Pin Inserts



| Contact Arrangement | Angular Displacement Of Insert | | | | |
|---------------------|--------------------------------|--------|---------|----------|---------|
| | N Yellow | W Blue | X Green | Y Purple | Z White |
| 10SL-3 | 0 | - | - | - | - |
| 10SL-4 | 0 | - | - | - | - |
| 14S-5 | 0 | - | 110 | - | - |
| 14S-6 | 0 | 90 | - | - | - |
| 14S-7 | 0 | 90 | 180 | 270 | - |
| 14S-9 | 0 | 70 | 145 | 215 | 290 |
| 16S-1 | 0 | 80 | - | - | 280 |
| 16S-5 | 0 | 70 | 145 | 215 | 290 |
| 16S-8 | 0 | - | 170 | 265 | - |
| 16-10 | 0 | 90 | 180 | 270 | - |
| 18-1 | 0 | 70 | 145 | 215 | 290 |
| 18-3 | 0 | 35 | 110 | 250 | 325 |
| 18-11 | 0 | - | 170 | 265 | - |
| 18-12 | 0 | 80 | - | - | 280 |
| 18-19 | 0 | - | 120 | 240 | - |
| 20-3 | 0 | 70 | 145 | 215 | 290 |
| 20-4 | 0 | 45 | 110 | 250 | - |
| 20-7 | 0 | 80 | 110 | 250 | 280 |
| 20-A9 | 0 | - | 110 | 250 | - |
| 20-15 | 0 | 80 | - | - | 280 |
| 20-16 | 0 | 80 | 110 | 250 | 280 |
| 20-18 | 0 | 35 | 110 | 250 | 325 |
| 20-27 | 0 | 35 | 110 | 250 | 325 |
| 20-29 | 0 | 80 | - | - | 280 |
| 20-33 | 0 | - | - | - | 280 |
| 20-A48 | 0 | - | 80 | 280 | - |
| 22-2 | 0 | 70 | 145 | 215 | 290 |
| 22-14 | 0 | 80 | - | - | 280 |
| 22-18 | 0 | 80 | 110 | 250 | 280 |
| 22-19 | 0 | 80 | 110 | 250 | 280 |
| 22-23 | 0 | 35 | - | 250 | - |
| 24-2 | 0 | 80 | - | - | 280 |
| 24-7 | 0 | 80 | 110 | 250 | 280 |
| 24-10 | 0 | 80 | - | - | 280 |
| 24-11 | 0 | 35 | 110 | 250 | 325 |
| 24-22 | 0 | 45 | 110 | 250 | - |
| 24-27 | 0 | 80 | - | - | 280 |
| 24-28 | 0 | 80 | 110 | 250 | 280 |
| 24-67 | 0 | 80 | - | - | 335 |
| 24-A25 | 0 | 80 | 110 | 250 | 280 |

Alternative Insert Orientations

View on Mating Face of Pin Inserts



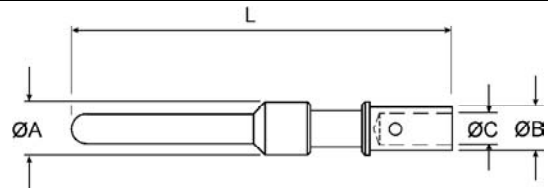
| Contact Arrangement | Angular Displacement Of Insert | | | | |
|---------------------|--------------------------------|--------|---------|----------|---------|
| | N Yellow | W Blue | X Green | Y Purple | Z White |
| 28-11 | 0 | 80 | 110 | 250 | 280 |
| 28-12 | 0 | 90 | 180 | 270 | - |
| 28-13 | 0 | - | - | - | - |
| 28-15 | 0 | 80 | 110 | 250 | 280 |
| 28-16 | 0 | 80 | 110 | 250 | 280 |
| 28-20 | 0 | 80 | 110 | 250 | 280 |
| 28-21 | 0 | 80 | 110 | 250 | 280 |
| 28-22 | 0 | 70 | 145 | 215 | 290 |
| 28-A9 | 0 | 110 | 250 | 260 | 280 |
| 32-7 | 0 | 80 | 125 | 235 | 280 |
| 32-17 | 0 | 45 | 110 | 250 | - |
| 32-22 | 0 | 80 | 110 | 250 | 280 |
| 32-76 | 0 | 80 | 110 | 250 | 280 |
| 32-A13 | 0 | 65 | 130 | 230 | 295 |
| 32-A55 | 0 | 80 | 110 | 250 | 280 |
| 36-5 | 0 | - | 120 | 240 | - |
| 36-7 | 0 | 80 | 110 | 250 | 280 |
| 36-10 | 0 | 80 | 125 | 235 | 280 |
| 36-11 | 0 | - | - | - | - |
| 36-12 | 0 | - | - | - | - |
| 36-16 | 0 | - | - | - | - |
| 36-17 | 0 | - | - | - | - |
| 36-A22 | 0 | 80 | 110 | 250 | 280 |
| 36A48 | 0 | 65 | - | - | - |
| 36-54 | 0 | 67 | - | - | - |
| 40-56 | 0 | 72 | 144 | 216 | 288 |
| 40-A5 | 0 | 33 | - | - | 270 |
| 40-A31 | 0 | 80 | 110 | 250 | 280 |
| 40-A35 | 0 | 70 | 130 | 230 | 290 |
| 40-A38 | 0 | 37 | 74 | 285 | 322 |
| 40-A60 | 0 | 80 | 110 | 250 | 280 |
| 40-E4 | 0 | 45 | 110 | - | - |
| 40-D21 | 0 | 80 | - | - | - |
| 49-A4 | 0 | - | - | - | - |
| 49-A10 | 0 | - | - | - | - |
| 49-A12 | 0 | - | - | - | - |
| 49-D32 | 0 | - | - | - | - |
| 49-A49 | 0 | - | - | - | - |
| 49-D1 | 0 | - | - | - | - |

F80 Crimp Contacts

Pin

Metric
Imperial

For standard gold plating, add **P3** to the end of the part number.



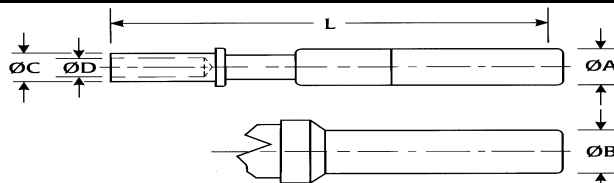
| Contact Size AWG (Metric) | Part Number | A | B | C | Conductor CSA mm ² | L |
|------------------------------|------------------|--------------|--------------|--------------|----------------------------------|--------------|
| 16S/20 | ABB16S/20KPKF80 | 3,20 | 2,65 | 1,10 | 0,50/0,75 | 26,60 |
| | | 0.126 | 0.104 | 0.043 | | 1.047 |
| 16S/18 | ABB16S/18KPKF80 | 3,20 | 2,30 | 1,25 | 0,75/0,93 | 26,60 |
| | | 0.126 | 0.091 | 0.049 | | 1.047 |
| 16S (15S) | ABB16SKPKF80 | 3,20 | 2,75 | 1,75 | 0,93/1,50 | 26,60 |
| | | 0.126 | 0.108 | 0.069 | | 1.047 |
| 16S/14 | ABB16S/14KPKF80 | 3,20 | 2,90 | 1,80 | 1,94/2,08 | 26,60 |
| | | 0.126 | 0.114 | 0.071 | | 1.047 |
| 16/22 | ABB16/22KPKF80 | 3,20 | 2,30 | 0,90 | 0,22/0,34 | 31,75 |
| | | 0.126 | 0.091 | 0.035 | | 1.250 |
| 16/20 | ABB16/20KPKF80 | 3,20 | 2,65 | 1,10 | 0,50/0,75 | 31,75 |
| | | 0.126 | 0.104 | 0.043 | | 1.250 |
| 16/18 | ABB16/18KPKF80 | 3,20 | 2,30 | 1,25 | 0,75/0,93 | 31,75 |
| | | 0.126 | 0.091 | 0.049 | | 1.250 |
| 16 (15) | ABB16KPKF80 | 3,20 | 2,75 | 1,75 | 0,93/1,50 | 31,75 |
| | | 0.126 | 0.108 | 0.069 | | 1.250 |
| 16/14 | ABB16/14KPKF80 | 3,20 | 2,90 | 1,80 | 1,94/2,08 | 31,75 |
| | | 0.126 | 0.114 | 0.071 | | 1.250 |
| 16/12 | ABB16/12KPKF80 | 3,20 | 3,80 | 2,50 | 2,50/3,00 | 31,75 |
| | | 0.126 | 0.150 | 0.098 | | 1.250 |
| 12/20 | ABB12/20KPKF80 | 4,80 | 2,65 | 1,10 | 0,50/0,75 | 37,50 |
| | | 0.189 | 0.104 | 0.043 | | 1.476 |
| 12/18 | ABB12/18KPKF80 | 4,80 | 2,30 | 1,25 | 0,75/0,93 | 37,50 |
| | | 0.189 | 0.091 | 0.049 | | 1.476 |
| 12/16 (25/15) | ABB12/16KPKF80 | 4,80 | 2,75 | 1,75 | 0,93/1,50 | 37,50 |
| | | 0.189 | 0.108 | 0.069 | | 1.476 |
| 12/14 | ABB12/14KPKF80 | 4,80 | 2,90 | 1,80 | 1,94/2,08 | 37,50 |
| | | 0.189 | 0.114 | 0.071 | | 1.476 |
| 12 (25) | ABB12KPKF80 | 4,80 | 3,80 | 2,50 | 2,50/3,00 | 37,50 |
| | | 0.189 | 0.150 | 0.098 | | 1.476 |
| 12/10 | ABB12/10KPKF80 | 4,80 | 4,40 | 3,00 | 5,53 | 37,50 |
| | | 0.189 | 0.173 | 0.118 | | 1.476 |
| 12/40 (25/40) | ABB12/40KPKF80 | 4,80 | 4,00 | 2,70 | 4,00 | 37,50 |
| | | 0.189 | 0.157 | 0.106 | | 1.476 |
| 8/40 (100/40) | ABB8/40KPKF80 | 7,80 | 5,20 | 2,90 | 4,00 | 40,70 |
| | | 0.307 | 0.205 | 0.114 | | 1.602 |
| 8/12 | ABB8/12KPKF80 | 7,80 | 3,80 | 2,50 | 2,50 | 40,70 |
| | | 0.307 | 0.150 | 0.098 | | 1.602 |
| 8/10 | ABB8/10KPKF80 | 7,80 | 5,20 | 3,30 | 5,53 | 40,70 |
| | | 0.307 | 0.205 | 0.130 | | 1.602 |
| 8 | ABB8KPKF80 | 7,80 | 6,80 | 4,55 | 9,00 | 40,70 |
| | | 0.307 | 0.268 | 0.179 | | 1.602 |
| (100/60) | ABB100/60KPKF80 | 7,80 | 5,50 | 3,40 | 6,00 | 40,70 |
| | | 0.307 | 0.217 | 0.134 | | 1.602 |
| (100) | ABB100KPKF80 | 7,80 | 7,00 | 4,40 | 10,00 | 40,70 |
| | | 0.307 | 0.276 | 0.173 | | 1.602 |
| 4/10 | ABB4/10KPKF80 | 11,00 | 5,20 | 3,30 | 553 | 41,25 |
| | | 0.433 | 0.205 | 0.130 | | 1.624 |
| 4 | ABB4KPKF80 | 11,00 | 9,55 | 7,10 | 22,00 | 41,25 |
| | | 0.433 | 0.376 | 0.280 | | 1.624 |
| (160) | ABB160KPKF80 | 11,00 | 9,45 | 5,70 | 16,00 | 41,25 |
| | | 0.433 | 0.372 | 0.224 | | 1.624 |
| 0 | ABB0KPKF80 | 15,00 | 14,35 | 11,50 | 53,0 | 44,50 |
| | | 0.591 | 0.565 | 0.453 | | 1.752 |
| (500/160) | ABB500/160KPKF80 | 15,00 | 9,45 | 5,70 | 16,00 | 44,50 |
| | | 0.591 | 0.372 | 0.224 | | 1.752 |
| (500/250) | ABB500/250KPKF80 | 15,00 | 10,00 | 7,00 | 25,00 | 44,50 |
| | | 0.591 | 0.394 | 0.276 | | 1.752 |
| (500/350) | ABB500/350KPKF80 | 15,00 | 11,90 | 8,00 | 35,00 | 44,50 |
| | | 0.591 | 0.468 | 0.315 | | 1.752 |
| (500) | ABB500KPKF80 | 15,00 | 14,35 | 9,80 | 50,00 | 44,50 |
| | | 0.591 | 0.565 | 0.386 | | 1.752 |

F80 Crimp Contacts

Socket

Metric
Imperial

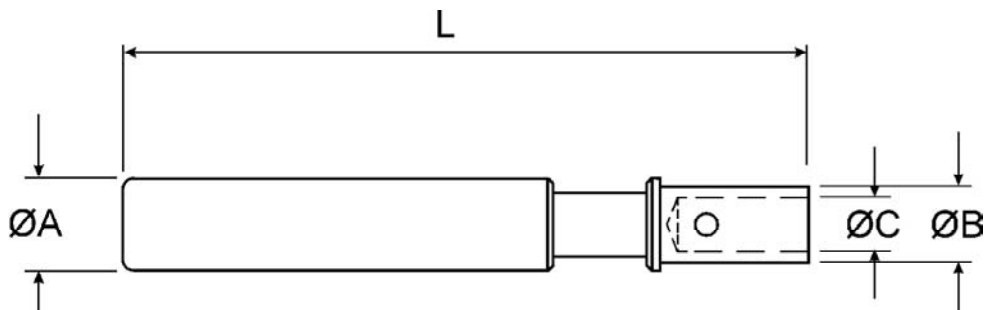
For standard gold plating, add **P3** to the end of the part number.



| Contact Size AWG (Metric) | Part Number | A | B | C | D | Conductor CSA mm ² | L |
|------------------------------|------------------|--------------|--------------|--------------|--------------|----------------------------------|--------------|
| 16S/20 | ABB16S/20KSKF80 | 3,20 | - | 2,65 | 1,10 | 0,50/0,75 | 26,60 |
| | | 0.126 | | 0.104 | 0.049 | | 1.047 |
| 16S/18 | ABB16S/18KSKF80 | 3,20 | - | 2,30 | 1,25 | 0,75/0,93 | 26,60 |
| | | 0.126 | | 0.091 | 0.069 | | 1.047 |
| 16S (15S) | ABB16SKSKF80 | 3,20 | - | 2,75 | 1,75 | 0,93/1,50 | 26,60 |
| | | 0.126 | | 0.108 | 0.069 | | 1.047 |
| 16S/14 | ABB16S/14KSKF80 | 3,20 | - | 3,90 | 1,80 | 1,94/2,08 | 26,60 |
| | | 0.126 | | 0.114 | 0.071 | | 1.047 |
| 16/22 | ABB16/22KSKF80 | 3,20 | - | 2,30 | 0,90 | 0,22/0,34 | 36,50 |
| | | 0.126 | | 0.091 | 0.035 | | 1.437 |
| 16/20 | ABB16/20KSKF80 | 3,20 | - | 2,65 | 1,10 | 0,50/0,75 | 36,50 |
| | | 0.126 | | 0.104 | 0.049 | | 1.437 |
| 16/18 | ABB16/18KSKF80 | 3,20 | - | 2,30 | 1,25 | 0,75/0,93 | 36,50 |
| | | 0.126 | | 0.091 | 0.049 | | 1.437 |
| 16 (15) | ABB16KSKF80 | 3,20 | - | 2,75 | 1,75 | 0,93/1,50 | 36,50 |
| | | 0.126 | | 0.108 | 0.07 | | 1.437 |
| 16/14 | ABB16/14KSKF80 | 3,20 | - | 2,90 | 1,80 | 1,94/2,08 | 36,50 |
| | | 0.126 | | 0.114 | 0.071 | | 1.437 |
| 16/12 | ABB16/12KSKF80 | 3,20 | - | 3,80 | 2,50 | 2,50/3,00 | 36,50 |
| | | 0.126 | | 0.150 | 0.098 | | 1.476 |
| 12/20 | ABB12/20KSKF80 | 4,80 | - | 2,65 | 1,10 | 0,50/0,75 | 37,50 |
| | | 0.189 | | 0.104 | 0.049 | | 1.476 |
| 12/18 | ABB12/18KSKF80 | 4,80 | - | 2,30 | 1,25 | 0,75/0,93 | 37,50 |
| | | 0.189 | | 0.091 | 0.049 | | 1.476 |
| 12/16 (25/15) | ABB12/16KSKF80 | 4,80 | - | 2,75 | 1,75 | 0,93/1,50 | 37,50 |
| | | 0.189 | | 0.108 | 0.069 | | 1.476 |
| 12/14 | ABB12/14KSKF80 | 4,80 | - | 2,90 | 1,80 | 1,94/2,08 | 37,50 |
| | | 0.189 | | 0.114 | 0.071 | | 1.476 |
| 12 (25) | ABB12KSKF80 | 4,80 | - | 3,80 | 2,50 | 2,50/3,00 | 37,50 |
| | | 0.189 | | 0.150 | 0.098 | | 1.476 |
| 12/10 | ABB12/10KSKF80 | 480 | - | 4,40 | 3,00 | 5,53 | 37,50 |
| | | 0.189 | | 0.173 | 0.118 | | 1.476 |
| 12/40 (25/40) | ABB12/40KSKF80 | 4,80 | - | 4,00 | 2,70 | 4,00 | 37,50 |
| | | 0.189 | | 0.157 | 0.106 | | 1.476 |
| 8/40 | ABB8/40KSKF80 | 7,80 | 6,50 | 5,20 | 2,90 | 4,00 | 40,70 |
| | | 0.307 | 0.256 | 0.204 | 0.114 | | 1.602 |
| 8/12 | ABB8/12KSKF80 | 7,80 | 4,80 | 3,80 | 2,50 | 2,50/3,00 | 40,70 |
| | | 0.307 | 0.189 | 0.150 | 0.098 | | 1.602 |
| 8/10 | ABB8/10KSKF80 | 7,80 | 6,50 | 4,40 | 3,00 | 5,53 | 40,70 |
| | | 0.307 | 0.256 | 0.173 | 0.118 | | 1.602 |
| 8 | ABB8KSKF80 | 7,80 | 6,50 | 6,80 | 4,55 | 9,00 | 40,70 |
| | | 0.307 | 0.256 | 0.268 | 0.179 | | 1.602 |
| (100/60) | ABB100/60KSKF80 | 7,80 | 6,50 | 5,50 | 3,40 | 6,00 | 40,70 |
| | | 0.307 | 0.256 | 0.217 | 0.134 | | 1.602 |
| (100) | ABB100KSKF80 | 7,80 | 6,50 | 7,00 | 4,40 | 10,00 | 40,70 |
| | | 0.307 | 0.256 | 0.276 | 0.173 | | 1.602 |
| 4/10 | ABB4/10KSKF80 | 11,10 | 6,50 | 5,20 | 3,30 | 5,53 | 41,25 |
| | | 0.437 | 0.256 | 0.205 | 0.130 | | 1.624 |
| 4 | ABB4KSKF80 | 11,10 | 8,60 | 9,55 | 7,10 | 22,00 | 41,25 |
| | | 0.437 | 0.339 | 0.376 | 0.280 | | 1.624 |
| (160) | ABB160KSKF80 | 11,10 | 8,60 | 9,45 | 5,70 | 16,00 | 41,25 |
| | | 0.437 | 0.339 | 0.372 | 0.224 | | 1.624 |
| 0 | ABB0KSKF80 | 15,10 | 13,20 | 14,35 | 11,50 | 53,00 | 44,50 |
| | | 0.594 | 0.520 | 0.565 | 0.453 | | 1.752 |
| (500/160) | ABB500/160KSKF80 | 15,10 | 13,20 | 9,45 | 5,70 | 16,00 | 44,50 |
| | | 0.594 | 0.520 | 0.372 | 0.224 | | 1.752 |
| (500/250) | ABB500/250KSKF80 | 15,10 | 13,20 | 10,00 | 7,00 | 25,00 | 44,50 |
| | | 0.594 | 0.520 | 0.394 | 0.276 | | 1.752 |
| (500/350) | ABB500/350KPKF80 | 15,10 | 13,20 | 11,90 | 8,00 | 35,00 | 44,50 |
| | | 0.594 | 0.520 | 0.469 | 0.315 | | 1.752 |
| (500) | ABB500KPKF80 | 15,10 | 13,20 | 14,35 | 9,80 | 50,00 | 44,50 |
| | | 0.594 | 0.520 | 0.565 | 0.386 | | 1.752 |

F80 Crimp Contacts

Low Insertion Force Socket



Metric
Imperial

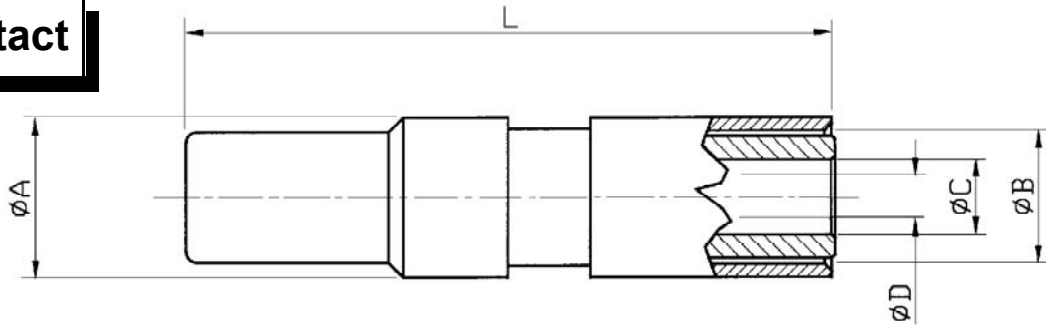
Standard Finish = gold plated.

| Contact Size AWG (Metric) | Part Number | A | B | C | Conductor CSA mm ² | L |
|------------------------------|------------------|----------------------|----------------------|----------------------|----------------------------------|-----------------------|
| 16S (15S) | ABB16SKLKF80P3 | 3,20 0.126 | 2,75 0.108 | 1,75 0.069 | 1,00/1,50 | 26,60 1.047 |
| 16/20 | ABB16/20KLKF80P3 | 3,20 0.126 | 2,65 0.104 | 1,10 0.043 | 0,50/0,75 | 36,50 1.437 |
| 16 (15) | ABB16KLKF80P3 | 3,20 0.126 | 2,75 0.108 | 1,75 0.069 | 1,00/1,50 | 36,50 1.437 |
| 12/20 | ABB12/20KLKF80P3 | 4,80 0.189 | 2,65 0.104 | 1,10 0.043 | 0,50/0,75 | 37,50 1.476 |
| 12/16 (25/15) | ABB12/16KLKF80P3 | 4,80 0.189 | 2,75 0.108 | 1,75 0.069 | 1,00/1,50 | 37,50 1.476 |
| 12 (25) | ABB12KLKF80P3 | 4,80 0.189 | 3,80 0.150 | 2,50 0.098 | 2,50/3,00 | 37,50 1.476 |

F80 Crimp Contacts

Coaxial Pin & Socket

Pin Contact

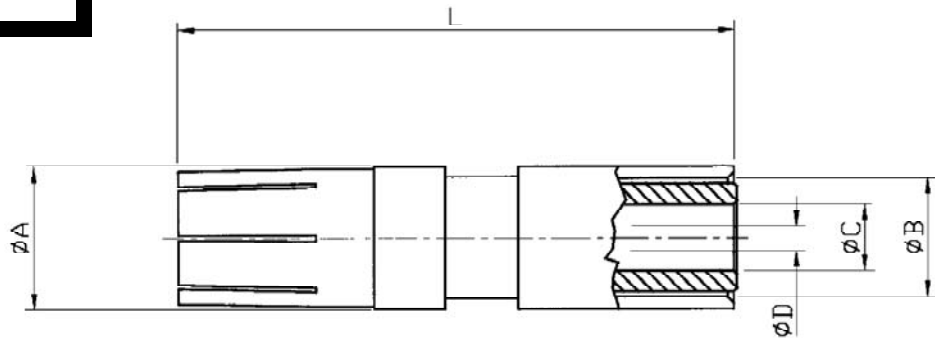


Metric
Imperial

*** Important Note.**
Consult factory for suitable contact arrangement details

| Contact Size AWG * | Part Number | A | B | C | D | L | Use With Conductors |
|--------------------|-----------------------|----------------|---------------|---------------|---------------|----------------|---------------------|
| 4 | ABB 4 CKPK F80 P1 001 | 11,10 0.437 | 9,80 0.386 | 5,20 0.205 | 1,07 0.042 | 44,70 1.760 | 0.5 mm ² |
| 4 | ABB 4 CKPK F80 P1 002 | 11,10 0.437 | 9,80 0.386 | 7,50 0.295 | 1,75 0.069 | 44,70 1.760 | 1.0 mm ² |

Socket Contact



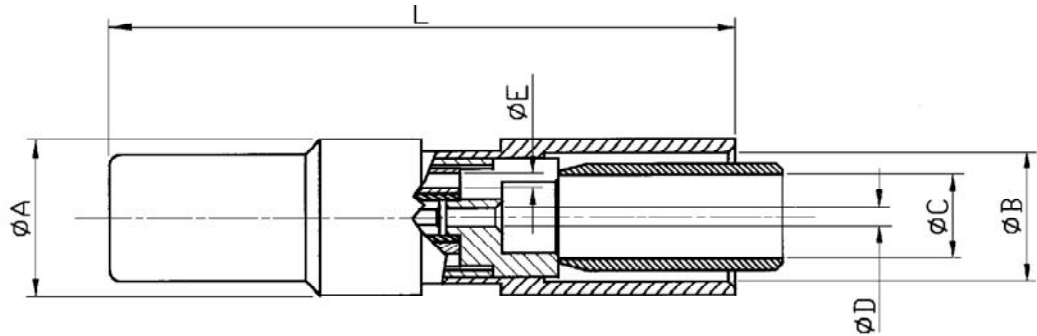
Metric
Imperial

*** Important Note.**
Consult factory for suitable contact arrangement details

| Contact Size AWG * | Part Number | A | B | C | D | L | Use With Conductors |
|--------------------|-----------------------|----------------|---------------|---------------|---------------|----------------|---------------------|
| 4 | ABB 4 CKSK F80 P1 001 | 11,10 0.437 | 9,80 0.386 | 5,20 0.205 | 1,07 0.042 | 43,05 1.695 | 0.5 mm ² |
| 4 | ABB 4 CKSK F80 P1 002 | 11,10 0.437 | 9,80 0.386 | 7,50 0.295 | 1,75 0.069 | 43,05 1.695 | 1.0 mm ² |

F80 Crimp Contacts Twinaxial Pin & Socket

Pin Contact

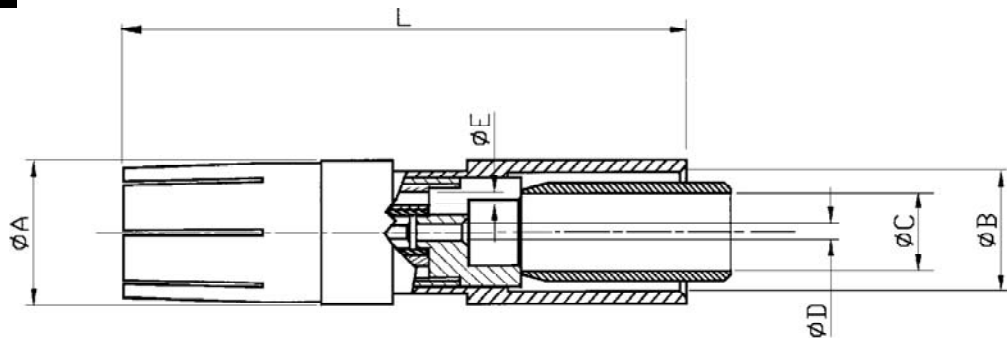


Metric
Imperial

*** Important Note.**
Consult factory for suitable contact arrangement details

| Contact Size AWG * | Part Number | A | B | C | D | E | L | Use With Conductors |
|--------------------|-----------------------|----------------|---------------|---------------|---------------|---------------|----------------|---|
| 4 | ABB 4 TKPK F80 P1 | 11,10 0.437 | 9,80 0.386 | 6,00 0.236 | 1,07 0.042 | 1,05 0.041 | 44,70 1.760 | 0.5 mm ² 0.6 mm ² |
| 4 | ABB 4 TKPK F80 P1 001 | 11,10 0.437 | 9,80 0.386 | 6,50 0.256 | 1,30 0.051 | 1,30 0.051 | 44,70 1.760 | 0.75 mm ² 1.0 mm ² |

Socket Contact



Metric
Imperial

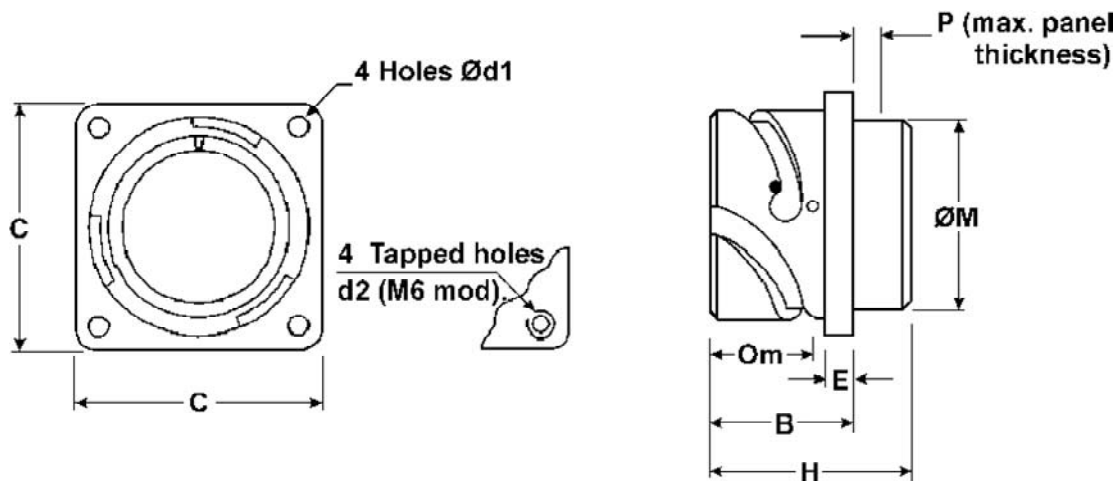
*** Important Note.**
Consult factory for suitable contact arrangement details

| Contact Size AWG* | Part Number | A | B | C | D | E | L | Use With Conductors |
|-------------------|-----------------------|----------------|---------------|---------------|---------------|---------------|----------------|---|
| 4 | ABB 4 TKSK F80 P1 | 11,10 0.437 | 9,80 0.386 | 6,00 0.236 | 1,07 0.042 | 1,05 0.041 | 43,05 1.695 | 0.5 mm ² 0.6 mm ² |
| 4 | ABB 4 TKSK F80 P1 001 | 11,10 0.437 | 9,80 0.386 | 6,50 0.256 | 1,30 0.051 | 1,30 0.051 | 43,05 1.695 | 0.75 mm ² 1.0 mm ² |

Square Flange Receptacle

Front Mounting (No Accessory Thread)

Style: ABCIRH00A/ABCIRH00A...M6



Metric
Imperial

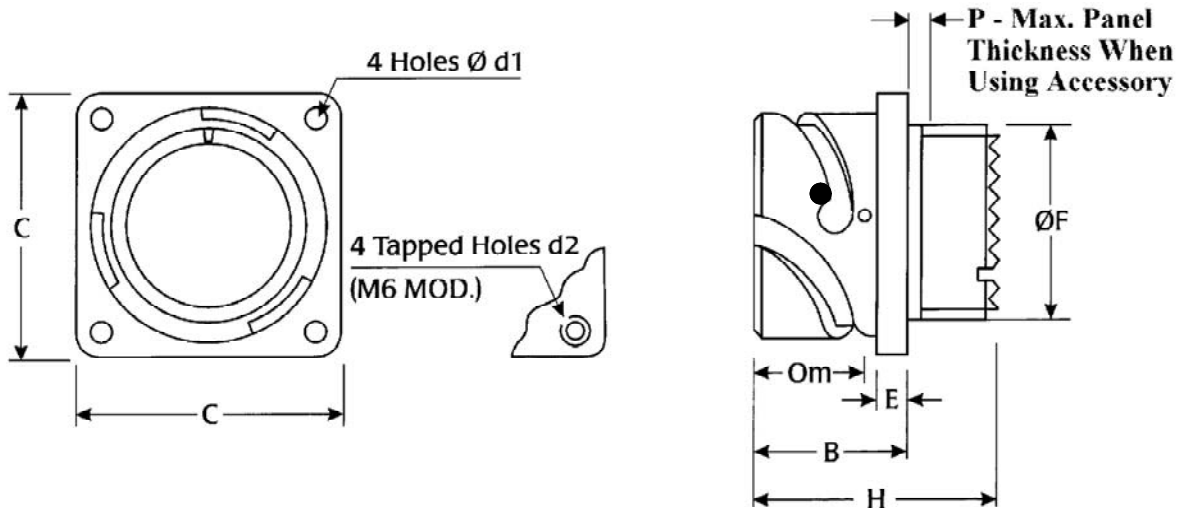
See page 82 for panel mounting details

| Shell Size | B Max | C Max | d1 +0,2 -0 +0.008-0 | d2 Thread | E Max | M Max | H Max | Om Min Overlap Mated |
|------------|-----------------------|-----------------------|---------------------------|--------------|----------------------|-----------------------|-----------------------|----------------------------|
| 10SL | 17,60 0.693 | 25,70 1.012 | 3,20 0.126 | M4 0,7-6H | 3,00 0.118 | 16,10 0.634 | 25,00 0.98 | 11,10 0.437 |
| 14S | 18,00 0.709 | 30,30 1.193 | 3,20 0.126 | M4 0,7-6H | 3,40 0.134 | 19,20 0.756 | 25,00 0.98 | 11,10 0.437 |
| 16S | 18,00 0.709 | 32,80 1.291 | 3,20 0.126 | M4 0,7-6H | 3,40 0.134 | 22,40 0.882 | 25,00 0.98 | 11,10 0.437 |
| 16 | 22,80 0.898 | 32,80 1.291 | 3,20 0.126 | M4 0,7-6H | 3,40 0.134 | 22,40 0.882 | 32,85 1.293 | 15,85 0.624 |
| 18 | 23,60 0.929 | 35,30 1.390 | 3,20 0.126 | M4 0,7-6H | 4,20 0.165 | 25,60 1.008 | 32,85 1.293 | 15,85 0.624 |
| 20 | 23,60 0.929 | 38,30 1.508 | 3,20 0.126 | M4 0,7-6H | 4,20 0.165 | 29,00 1.142 | 32,85 1.293 | 15,85 0.624 |
| 22 | 23,60 0.929 | 41,30 1.626 | 3,20 0.126 | M4 0,7-6H | 4,20 0.165 | 31,90 1.256 | 32,85 1.293 | 15,75 0.620 |
| 24 | 25,20 0.992 | 44,80 1.764 | 3,70 0.146 | M4 0,7-6H | 4,20 0.165 | 35,00 1.378 | 32,85 1.293 | 15,75 0.620 |
| 28 | 25,20 0.992 | 51,10 2.012 | 3,70 0.146 | M5 0,8-6H | 4,20 0.165 | 41,40 1.630 | 32,85 1.293 | 15,75 0.620 |
| 32 | 26,80 1.055 | 57,30 2.256 | 4,30 0.169 | M5 0,8-6H | 4,20 0.165 | 47,80 1.882 | 32,85 1.293 | 15,75 0.620 |
| 36 | 26,80 1.055 | 63,80 2.512 | 4,30 0.169 | M5 0,8-6H | 4,20 0.165 | 52,60 2.071 | 32,85 1.293 | 15,75 0.620 |
| 40 | 26,80 1.055 | 70,20 2.764 | 4,30 0.169 | M5 0,8-6H | 4,20 0.165 | 59,00 2.323 | 32,85 1.293 | 15,75 0.620 |

Square Flange Receptacle

Front Mounting (With Accessory Thread)

Style: ABCIRH00T/ABCIRH00T...M6

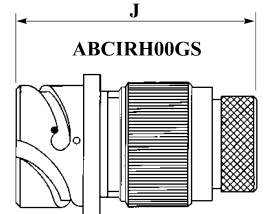
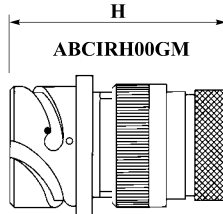
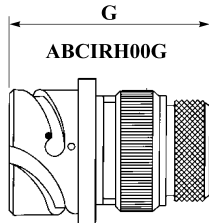
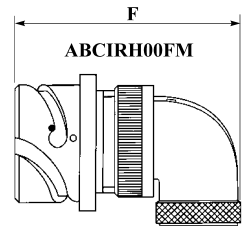
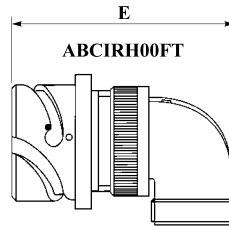
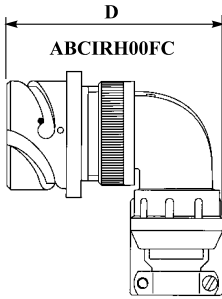
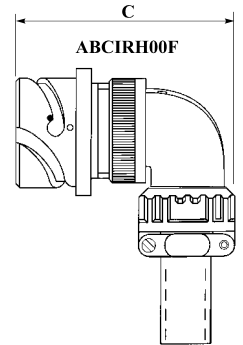
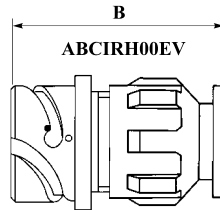
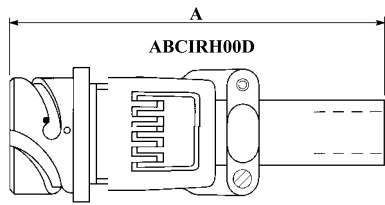


Metric
Imperial

See page 82 for panel mounting details

| Shell Size | B Max | C Max | d1 +0,2 -0 +0.008-0 | d2 Thread | E Max | F Thread Dia. Class 2A | H Max | P | Om Min Overlap Mated |
|------------|-----------------------|-----------------------|---------------------------|--------------|----------------------|------------------------------|-----------------------|----------------------|----------------------------|
| 10SL | 17,60 0.693 | 25,70 1.012 | 3,20 0.126 | M4 0,7-6H | 3,00 0.118 | $\frac{5}{8}$ " x 24 UNEF | 28,78 1.133 | 3,30 0.130 | 11,10 0.437 |
| 14S | 18,00 0.709 | 30,30 1.193 | 3,20 0.126 | M4 0,7-6H | 3,40 0.134 | $\frac{3}{4}$ " x 20 UNEF | 28,78 1.133 | 3,30 0.130 | 11,10 0.437 |
| 16S | 18,00 0.709 | 32,80 1.291 | 3,20 0.126 | M4 0,7-6H | 3,40 0.134 | $\frac{7}{8}$ " x 20 UNEF | 28,78 1.133 | 3,30 0.130 | 11,10 0.437 |
| 16 | 22,80 0.898 | 32,80 1.291 | 3,20 0.126 | M4 0,7-6H | 3,40 0.134 | $\frac{7}{8}$ " x 20 UNEF | 36,30 1.429 | 3,30 0.130 | 15,85 0.624 |
| 18 | 23,60 0.929 | 35,30 1.390 | 3,20 0.126 | M4 0,7-6H | 4,20 0.165 | 1" x 20 UNEF | 36,30 1.429 | 3,30 0.130 | 15,85 0.624 |
| 20 | 23,60 0.929 | 38,30 1.508 | 3,20 0.126 | M4 0,7-6H | 4,20 0.165 | $1\frac{1}{8}$ " x 18 UNEF | 36,30 1.429 | 3,30 0.130 | 15,85 0.624 |
| 22 | 23,60 0.929 | 41,30 1.626 | 3,20 0.126 | M4 0,7-6H | 4,20 0.165 | $1\frac{1}{4}$ " x 18 UNEF | 36,30 1.429 | 3,30 0.130 | 15,75 0.620 |
| 24 | 25,20 0.992 | 44,80 1.764 | 3,70 0.146 | M4 0,7-6H | 4,20 0.165 | $1\frac{3}{8}$ " x 18 UNEF | 36,30 1.429 | 3,30 0.130 | 15,75 0.620 |
| 28 | 25,20 0.992 | 51,10 2.012 | 3,70 0.146 | M5 0,8-6H | 4,20 0.165 | $1\frac{5}{8}$ " x 18 UNEF | 36,30 1.429 | 3,30 0.130 | 15,75 0.620 |
| 32 | 26,80 1.055 | 57,30 2.256 | 4,30 0.169 | M5 0,8-6H | 4,20 0.165 | $1\frac{7}{8}$ " x 16 UN | 36,30 1.429 | 3,30 0.130 | 15,75 0.620 |
| 36 | 26,80 1.055 | 63,80 2.512 | 4,30 0.169 | M5 0,8-6H | 4,20 0.165 | $2\frac{1}{16}$ " x 16 UNS | 36,30 1.429 | 3,30 0.130 | 15,75 0.620 |
| 40 | 26,80 1.055 | 70,20 2.764 | 4,30 0.169 | M5 0,8-6H | 4,20 0.165 | $2\frac{5}{16}$ " x 16 UN | 36,30 1.429 | 3,30 0.130 | 15,75 0.620 |

ABCIRH '00' Style Connector & Accessory

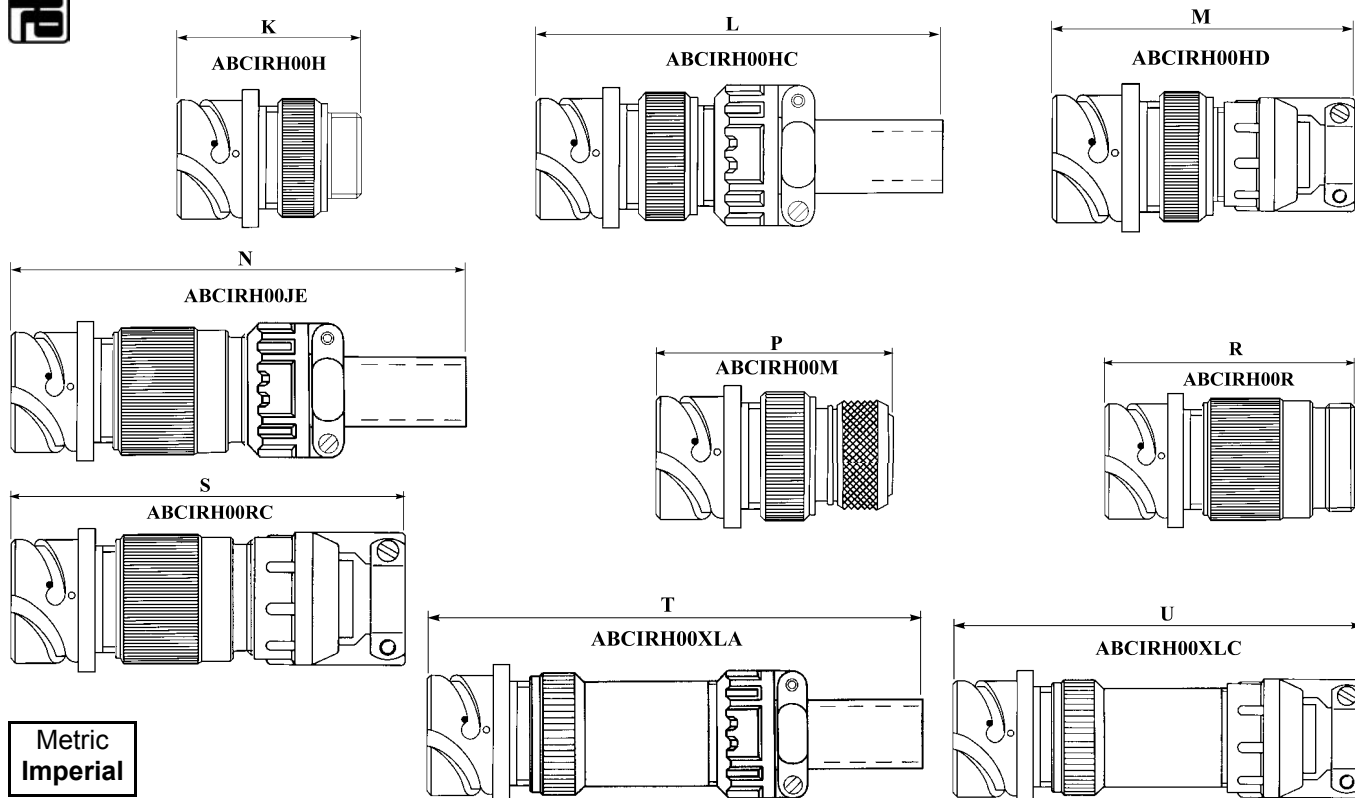


Metric
Imperial

| Shell Size | A | B | C | D | E | F | G | H | J |
|------------|-----------------|----------------|-----------------|-----------------|-----------------|-----------------|----------------|----------------|----------------|
| 10SL | 109,00 4.291 | 44,00 1.732 | 57,00 2.244 | 58,00 2.283 | 54,00 2.126 | 54,00 2.126 | 49,00 1.929 | 53,00 2.087 | * |
| 14S | 107,00 4.213 | 44,00 1.732 | 61,00 2.402 | 60,00 2.362 | 56,00 2.205 | 56,00 2.205 | 49,00 1.929 | 53,00 2.087 | * |
| 16S | 104,00 4.094 | 44,00 1.732 | 64,00 2.520 | 64,00 2.520 | 60,00 2.362 | 60,00 2.362 | 49,00 1.929 | 53,00 2.087 | * |
| 16 | 111,00 4.370 | 54,00 2.126 | 71,00 2.795 | 71,00 2.795 | 67,00 2.638 | 67,00 2.638 | 57,00 2.244 | 65,00 2.559 | * |
| 18 | 115,00 4.528 | 54,00 2.126 | 76,00 2.992 | 76,00 2.992 | 72,00 2.835 | 72,00 2.835 | 59,00 2.323 | 65,00 2.559 | 74,00 2.913 |
| 20 | 114,00 4.488 | 54,00 2.126 | 81,00 3.189 | 82,00 3.228 | 77,00 3.031 | 77,00 3.031 | 60,00 2.362 | 68,00 2.677 | 80,00 3.150 |
| 22 | 114,00 4.488 | 54,00 2.126 | 81,00 2.189 | 82,00 3.228 | 77,00 3.031 | 77,00 3.031 | 63,00 2.480 | 68,00 2.677 | 80,00 3.150 |
| 24 | 109,00 4.291 | 54,00 2.126 | 89,00 3.504 | 89,00 3.504 | 85,00 3.346 | 85,00 3.346 | 60,00 2.362 | 68,00 2.677 | 80,00 3.150 |
| 28 | 119,00 4.685 | 54,00 2.126 | 88,00 3.465 | 89,00 3.504 | 85,00 3.346 | 85,00 3.346 | 63,00 2.480 | 67,00 2.638 | 81,00 3.189 |
| 32 | 115,00 4.528 | 54,00 2.126 | 98,00 3.858 | 101,00 3.976 | 95,00 3.740 | 95,00 3.740 | 61,00 2.402 | 67,00 2.638 | 80,00 3.189 |
| 36 | 112,00 4.409 | 54,00 2.126 | 104,00 4.094 | 105,00 4.134 | 101,00 3.976 | 101,00 3.976 | 67,00 2.638 | 68,00 2.677 | 80,00 3.189 |
| 40 | N/A | 54,00 2.126 | 111,00 4.370 | 112,00 4.409 | 107,00 4.213 | 107,00 4.213 | 68,00 2.677 | 68,00 2.677 | 80,00 3.189 |

* Please consult factory for availability.

ABCIRH '00' Style Connector & Accessory cont.

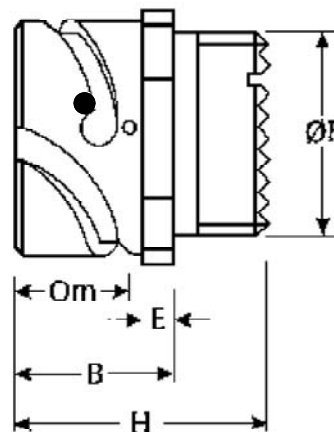
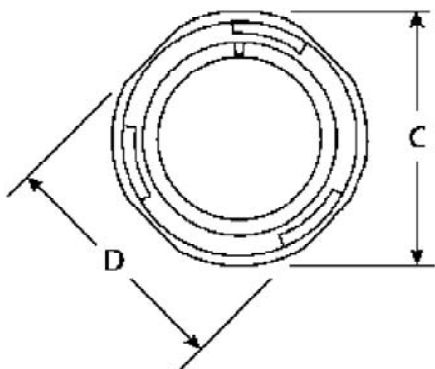


**Metric
Imperial**

| Shell Size | K | L | M | N | P | R | S | T | U |
|-------------|-----------------------|------------------------|------------------------|------------------------|-----------------------|-----------------------|------------------------|------------------------|------------------------|
| 10SL | 50,00 1.696 | 122,00 4.803 | 81,00 3.189 | 121,00 4.764 | 53,00 2.087 | 51,00 2.008 | 82,00 3.228 | 140,00 5.512 | 101,00 3.976 |
| 14S | 50,00 1.969 | 118,00 4.646 | 81,00 3.189 | 118,00 4.646 | 56,00 2.205 | 51,00 2.008 | 82,00 3.228 | 137,00 5.394 | 101,00 3.976 |
| 16S | 50,00 1.969 | 120,00 4.724 | 81,00 3.189 | 115,00 4.528 | 56,00 2.205 | 51,00 2.008 | 82,00 3.228 | 134,00 5.276 | 101,00 3.976 |
| 16 | 57,00 2.244 | 123,00 4.843 | 88,00 3.465 | 124,00 4.882 | 63,00 2.480 | 60,00 2.362 | 91,00 3.583 | 152,00 5.984 | 121,00 4.764 |
| 18 | 59,00 2.323 | 124,00 4.882 | 92,00 3.622 | 126,00 4.961 | 66,00 2.598 | 66,00 2.598 | 99,00 3.898 | 148,00 5.827 | 121,00 4.764 |
| 20 | 59,00 2.323 | 120,00 4.724 | 92,00 3.622 | 123,00 4.843 | 66,00 2.598 | 66,00 2.598 | 99,00 3.898 | 145,00 5.709 | 121,00 4.764 |
| 22 | 59,00 2.323 | 120,00 4.724 | 92,00 3.622 | 123,00 4.843 | 66,00 2.598 | 66,00 2.598 | 99,00 3.898 | 145,00 5.709 | 121,00 4.764 |
| 24 | 59,00 2.323 | 107,00 4.213 | 95,00 3.740 | 123,00 4.843 | 66,00 2.598 | 69,00 2.716 | 105,00 4.134 | 142,00 5.591 | 124,00 4.882 |
| 28 | 59,00 2.323 | 107,00 4.213 | 95,00 3.740 | 124,00 4.882 | 65,00 2.559 | 70,00 2.756 | 106,00 4.173 | 149,00 5.866 | 131,00 5.157 |
| 32 | 58,00 2.283 | 106,00 4.173 | 100,00 3.937 | 120,00 4.724 | 65,00 2.559 | 69,00 2.716 | 111,00 4.370 | 146,00 5.748 | 137,00 5.394 |
| 36 | 58,00 2.283 | 106,00 4.173 | 107,00 4.213 | 117,00 4.606 | 65,00 2.559 | 69,00 2.716 | 117,00 4.606 | 143,00 5.630 | 144,00 5.669 |
| 40 | 58,00 2.283 | 103,00 4.055 | 107,00 4.213 | 114,00 4.488 | 65,00 2.559 | 70,00 2.756 | 112,00 4.409 | 140,00 5.512 | 144,00 5.669 |

Cable Mounted Receptacle

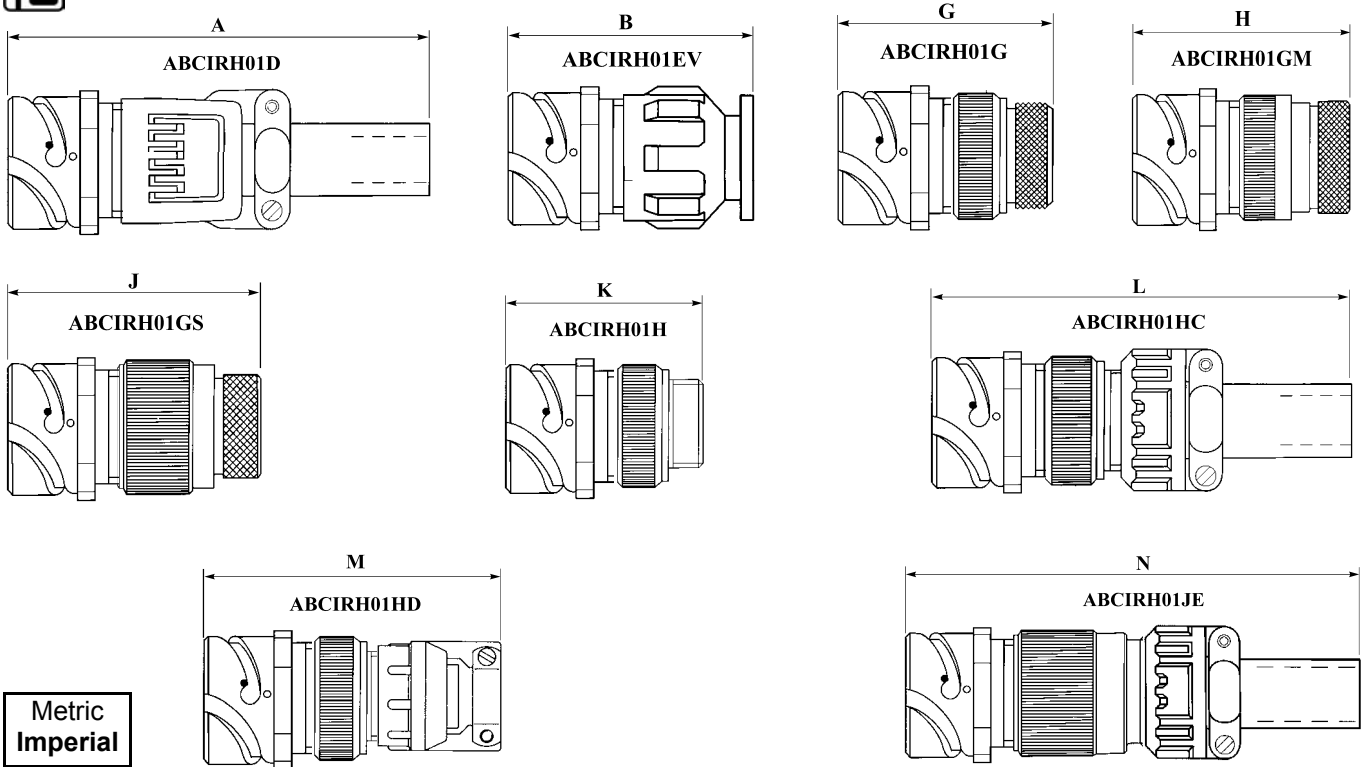
Style: ABCIRH01T



Metric
Imperial

| Shell Size | B Max | C Max | D Max | E Max | F Thread Dia. Class 2A | H Max | Om Min Overlap Mated |
|------------|-----------------------|-----------------------|-----------------------|----------------------|------------------------|-----------------------|-----------------------|
| 10SL | 17,60 0.693 | 25,20 0.992 | 20,80 0.819 | 3,00 0.118 | 5/8" x 24 UNEF | 28,78 1.133 | 11,10 0.437 |
| 14S | 18,00 0.709 | 29,80 1.173 | 25,60 1.008 | 3,40 0.134 | 3/4" x 20 UNEF | 28,78 1.133 | 11,10 0.437 |
| 16S | 18,00 0.709 | 32,30 1.272 | 28,80 1.134 | 3,40 0.134 | 7/8" x 20 UNEF | 28,78 1.133 | 11,10 0.437 |
| 16 | 22,80 0.898 | 32,30 1.272 | 28,80 1.134 | 3,40 0.134 | 7/8" x 20 UNEF | 36,30 1.429 | 15,85 0.624 |
| 18 | 23,60 0.929 | 34,80 1.370 | 31,90 1.256 | 4,20 0.165 | 1" x 20 UNEF | 36,30 1.429 | 15,85 0.624 |
| 20 | 23,60 0.929 | 37,80 1.488 | 35,10 1.382 | 4,20 0.165 | 1 1/8" x 18 UNEF | 36,30 1.429 | 15,85 0.624 |
| 22 | 23,60 0.929 | 41,10 1.618 | 38,30 1.508 | 4,20 0.165 | 1 1/4" x 18 UNEF | 36,30 1.429 | 15,75 0.620 |
| 24 | 25,20 0.992 | 44,60 1.756 | 41,50 1.634 | 4,20 0.165 | 1 3/8" x 18 UNEF | 36,30 1.429 | 15,75 0.620 |
| 28 | 25,20 0.992 | 50,90 2.004 | 47,80 1.882 | 4,20 0.165 | 1 5/8" x 18 UNEF | 36,30 1.429 | 15,75 0.620 |
| 32 | 26,80 1.055 | 57,10 2.248 | 54,20 2.134 | 4,20 0.165 | 1 7/8" x 16 UN | 36,30 1.429 | 15,75 0.620 |
| 36 | 26,80 1.055 | 63,80 2.512 | 60,80 2.394 | 4,20 0.165 | 2 1/16" x 16 UNS | 36,30 1.429 | 15,75 0.620 |
| 40 | 26,80 1.055 | 70,00 2.756 | 66,70 2.626 | 4,20 0.165 | 2 5/16" x 16 UN | 36,30 1.429 | 15,75 0.620 |

ABCIRH '01' Style Connector & Accessory

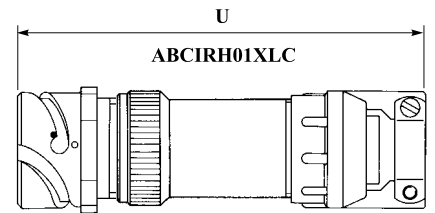
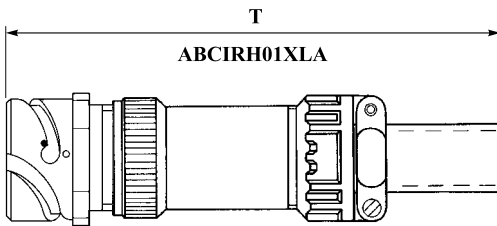
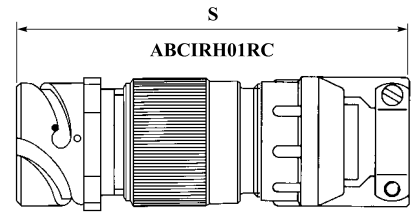
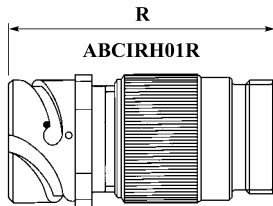
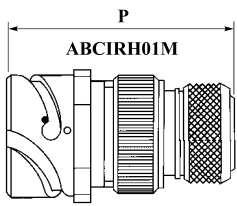


Metric
Imperial

| Shell Size | A | B | G | H | J | K | L | M | N |
|------------|-----------------|----------------|----------------|----------------|----------------|----------------|-----------------|-----------------|-----------------|
| 10SL | 109,00 4.291 | 44,00 1.732 | 49,00 1.929 | 53,00 2.087 | * | 50,00 1.696 | 122,00 4.803 | 81,00 3.189 | 121,00 4.764 |
| 14S | 107,00 4.213 | 44,00 1.732 | 49,00 1.929 | 53,00 2.087 | * | 50,00 1.969 | 118,00 4.646 | 81,00 3.189 | 118,00 4.646 |
| 16S | 104,00 4.094 | 44,00 1.732 | 49,00 1.929 | 53,00 2.087 | * | 50,00 1.969 | 120,00 4.724 | 81,00 3.189 | 115,00 4.528 |
| 16 | 111,00 4.370 | 54,00 2.126 | 57,00 2.244 | 65,00 2.559 | * | 57,00 2.244 | 123,00 4.843 | 88,00 3.465 | 124,00 4.882 |
| 18 | 115,00 4.528 | 54,00 2.126 | 59,00 2.323 | 65,00 2.559 | 74,00 2.913 | 59,00 2.323 | 124,00 4.882 | 92,00 3.622 | 126,00 4.961 |
| 20 | 114,00 4.488 | 54,00 2.126 | 60,00 2.362 | 68,00 2.677 | 80,00 3.150 | 59,00 2.323 | 120,00 4.724 | 92,00 3.622 | 123,00 4.843 |
| 22 | 114,00 4.488 | 54,00 2.126 | 63,00 2.480 | 68,00 2.677 | 80,00 3.150 | 59,00 2.323 | 120,00 4.724 | 92,00 3.622 | 123,00 4.843 |
| 24 | 109,00 4.291 | 54,00 2.126 | 60,00 2.362 | 68,00 2.677 | 80,00 3.150 | 59,00 2.323 | 107,00 4.213 | 95,00 3.740 | 123,00 4.843 |
| 28 | 119,00 4.685 | 54,00 2.126 | 63,00 2.480 | 67,00 2.638 | 81,00 3.189 | 59,00 2.323 | 107,00 4.213 | 95,00 3.740 | 124,00 4.882 |
| 32 | 115,00 4.528 | 54,00 2.126 | 61,00 2.402 | 67,00 2.638 | 80,00 3.189 | 58,00 2.283 | 106,00 4.173 | 100,00 3.937 | 120,00 4.724 |
| 36 | 112,00 4.409 | 54,00 2.126 | 67,00 2.638 | 68,00 2.677 | 80,00 3.189 | 58,00 2.283 | 106,00 4.173 | 107,00 4.213 | 117,00 4.606 |
| 40 | N/A | 54,00 2.126 | 68,00 2.677 | 68,00 2.677 | 80,00 3.189 | 58,00 2.283 | 103,00 4.055 | 107,00 4.213 | 114,00 4.488 |

* Please consult factory for availability.

ABCIRH '01' Style Connector & Accessory cont.



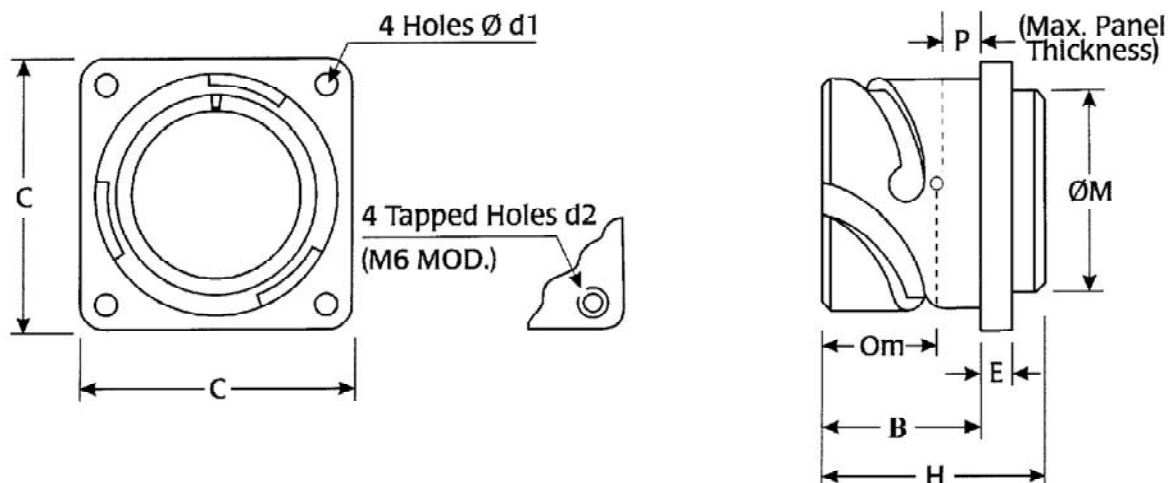
Metric
Imperial

| Shell Size | P | R | S | T | U |
|-------------|-----------------------|-----------------------|------------------------|------------------------|------------------------|
| 10SL | 53,00 2.087 | 51,00 2.008 | 82,00 3.228 | 140,00 5.512 | 101,00 3.976 |
| 14S | 56,00 2.205 | 51,00 2.008 | 82,00 3.228 | 137,00 5.394 | 101,00 3.976 |
| 16S | 56,00 2.205 | 51,00 2.008 | 82,00 3.228 | 134,00 5.276 | 101,00 3.976 |
| 16 | 63,00 2.480 | 60,00 2.362 | 91,00 3.583 | 152,00 5.984 | 121,00 4.764 |
| 18 | 66,00 2.598 | 66,00 2.598 | 99,00 3.898 | 148,00 5.827 | 121,00 4.764 |
| 20 | 66,00 2.598 | 66,00 2.598 | 99,00 3.898 | 145,00 5.709 | 121,00 4.764 |
| 22 | 66,00 2.598 | 66,00 2.598 | 99,00 3.898 | 145,00 5.709 | 121,00 4.764 |
| 24 | 66,00 2.598 | 69,00 2.716 | 105,00 4.134 | 142,00 5.591 | 124,00 4.882 |
| 28 | 65,00 2.559 | 70,00 2.756 | 106,00 4.173 | 149,00 5.866 | 131,00 5.157 |
| 32 | 65,00 2.559 | 69,00 2.716 | 111,00 4.370 | 146,00 5.748 | 137,00 5.394 |
| 36 | 65,00 2.559 | 69,00 2.716 | 117,00 4.606 | 143,00 5.630 | 144,00 5.669 |
| 40 | 65,00 2.559 | 70,00 2.756 | 112,00 4.409 | 140,00 5.512 | 144,00 5.669 |

Square Flange Receptacle

Rear Mounting (No Accessory Thread)

Style: ABCIRH03A/ABCIRH03A...M6



Note. Maximum panel thickness when using cap head screws. When using countersunk screws, maximum panel thickness = 7.5 mm.

Metric
Imperial

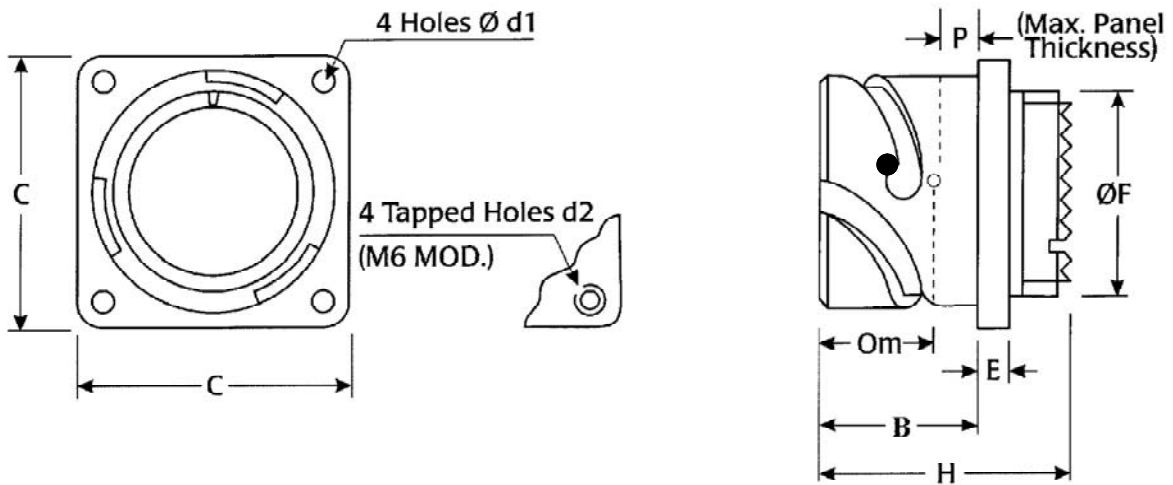
See page 82 for panel mounting details.

| Shell Size | B Max | C Max | d1 +0,2 -0 +0.008-0 | d2 Thread | E Max | M Max | H Max | P See Note | Om Min Overlap Mated |
|------------|-----------------------|-----------------------|---------------------------|--------------|----------------------|-----------------------|----------------------|----------------------|----------------------------|
| 10SL | 18,60 0.732 | 25,70 1.012 | 3,20 0.126 | M4 0,7-6H | 3,00 0.118 | 16,10 0.634 | 25,00 0.99 | 3,30 0.130 | 11,10 0.437 |
| 14S | 18,60 0.732 | 30,30 1.193 | 3,20 0.126 | M4 0,7-6H | 3,40 0.134 | 19,20 0.756 | 25,00 0.99 | 3,30 0.130 | 11,10 0.437 |
| 16S | 18,60 0.732 | 32,80 1.291 | 3,20 0.126 | M4 0,7-6H | 3,40 0.134 | 22,40 0.882 | 25,00 0.99 | 3,30 0.130 | 11,10 0.437 |
| 16 | 21,90 0.862 | 32,80 1.291 | 3,20 0.126 | M4 0,7-6H | 3,40 0.134 | 22,40 0.882 | 32,70 1.28 | 3,30 0.130 | 15,85 0.624 |
| 18 | 23,45 0.923 | 35,30 1.390 | 3,20 0.126 | M4 0,7-6H | 4,20 0.165 | 25,60 1.008 | 32,70 1.28 | 3,30 0.130 | 15,85 0.624 |
| 20 | 23,45 0.923 | 38,30 1.508 | 3,20 0.126 | M4 0,7-6H | 4,20 0.165 | 29,00 1.142 | 33,40 1.32 | 3,30 0.130 | 15,85 0.624 |
| 22 | 23,45 0.923 | 41,30 1.626 | 3,20 0.126 | M4 0,7-6H | 4,20 0.165 | 31,90 1.250 | 33,40 1.32 | 3,30 0.130 | 15,75 0.620 |
| 24 | 23,45 0.923 | 44,80 1.764 | 3,70 0.146 | M4 0,7-6H | 4,20 0.165 | 35,00 1.380 | 32,75 1.29 | 3,30 0.130 | 15,75 0.620 |
| 28 | 24,45 0.963 | 51,10 2.012 | 3,70 0.146 | M5 0,8-6H | 4,20 0.165 | 41,40 1.630 | 35,80 1.41 | 3,30 0.130 | 15,75 0.620 |
| 32 | 24,45 0.963 | 57,30 2.256 | 4,30 0.169 | M5 0,8-6H | 4,20 0.165 | 47,80 1.882 | 36,80 1.45 | 3,30 0.130 | 15,75 0.620 |
| 36 | 24,45 0.963 | 63,80 2.512 | 4,30 0.169 | M5 0,8-6H | 4,20 0.165 | 52,60 2.071 | 36,80 1.45 | 3,30 0.130 | 15,75 0.620 |
| 40 | 24,45 0.963 | 70,20 2.764 | 4,30 0.169 | M5 0,8-6H | 4,20 0.165 | 59,00 2.323 | 36,80 1.45 | 3,30 0.130 | 15,75 0.620 |

Square Flange Receptacle

Rear Mounting (With Accessory Thread)

AB Style: ABCIRH03T/ABCIRH03T...M6



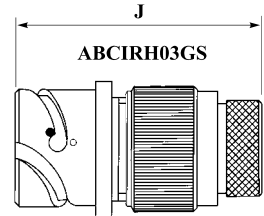
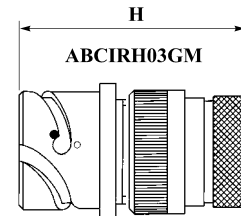
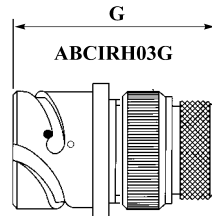
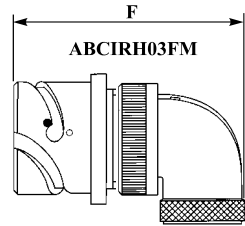
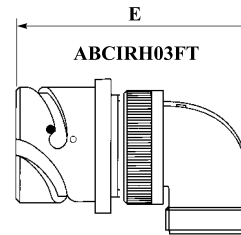
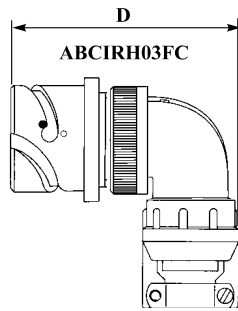
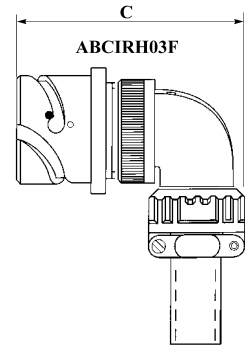
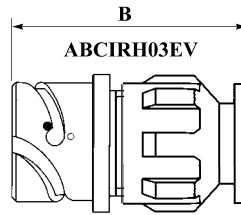
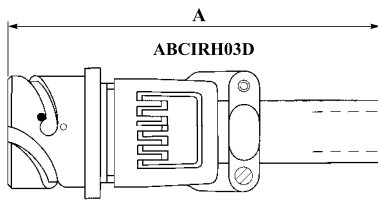
Note. Maximum panel thickness when using cap head screws. When using countersunk screws, maximum panel thickness = 7.5 mm.

Metric
Imperial

See page 82 for panel mounting details.

| Shell Size | B Max | C Max | d1 +0,2 -0 +0.008-0 | d2 Thread | E Max | F Thread Dia. Class 2A | H Max | P See Note | Om Min Overlap Mated |
|------------|----------------|----------------|---------------------------|--------------|---------------|------------------------------|--------------|---------------|----------------------------|
| 10SL | 18,60 0.732 | 25,70 1.012 | 3,20 0.126 | M4 0.7-6H | 3,00 0.118 | 5/8" x 24 UNEF | 30,0 1.19 | 3,30 0.130 | 11,10 0.437 |
| 14S | 18,60 0.732 | 30,30 1.193 | 3,20 0.126 | M4 0.7-6H | 3,40 0.134 | 3/4" x 20 UNEF | 30,0 1.19 | 3,30 0.130 | 11,10 0.437 |
| 16S | 18,60 0.732 | 32,80 1.291 | 3,20 0.126 | M4 0.7-6H | 3,40 0.134 | 7/8" x 20 UNEF | 30,0 1.19 | 3,30 0.130 | 11,10 0.437 |
| 16 | 21,90 0.862 | 32,80 1.291 | 3,20 0.126 | M4 0.7-6H | 3,40 0.134 | 7/8" x 20 UNEF | 37,0 1.46 | 3,30 0.130 | 15,85 0.624 |
| 18 | 23,45 0.923 | 35,30 1.390 | 3,20 0.126 | M4 0.7-6H | 4,20 0.165 | 1" x 20 UNEF | 37,0 1.46 | 3,30 0.130 | 15,85 0.624 |
| 20 | 23,45 0.923 | 38,30 1.508 | 3,20 0.126 | M4 0.7-6H | 4,20 0.165 | 1 1/8" x 18 UNEF | 37,0 1.46 | 3,30 0.130 | 15,85 0.624 |
| 22 | 23,45 0.923 | 41,30 1.626 | 3,20 0.126 | M4 0.7-6H | 4,20 0.165 | 1 1/4" x 18 UNEF | 37,0 1.46 | 3,30 0.130 | 15,75 0.620 |
| 24 | 23,45 0.923 | 44,80 1.764 | 3,70 0.146 | M4 0.7-6H | 4,20 0.165 | 1 3/8" x 18 UNEF | 37,0 1.46 | 3,30 0.130 | 15,75 0.620 |
| 28 | 24,45 0.963 | 51,10 2.012 | 3,70 0.146 | M5 0.8-6H | 4,20 0.165 | 1 5/8" x 18 UNEF | 37,0 1.46 | 3,30 0.130 | 15,75 0.620 |
| 32 | 24,45 0.963 | 57,30 2.256 | 4,30 0.169 | M5 0.8-6H | 4,20 0.165 | 1 7/8" x 16 UN | 37,0 1.46 | 3,30 0.130 | 15,75 0.620 |
| 36 | 24,45 0.963 | 63,80 2.512 | 4,30 0.169 | M5 0.8-6H | 4,20 0.165 | 2 1/16" x 16 UNS | 37,0 1.46 | 3,30 0.130 | 15,75 0.620 |
| 40 | 24,45 0.963 | 70,20 2.764 | 4,30 0.169 | M5 0.8-6H | 4,20 0.165 | 2 5/16" x 16 UN | 38,0 1.50 | 3,30 0.130 | 15,75 0.620 |

ABCIRH '03' Style Connector & Accessory

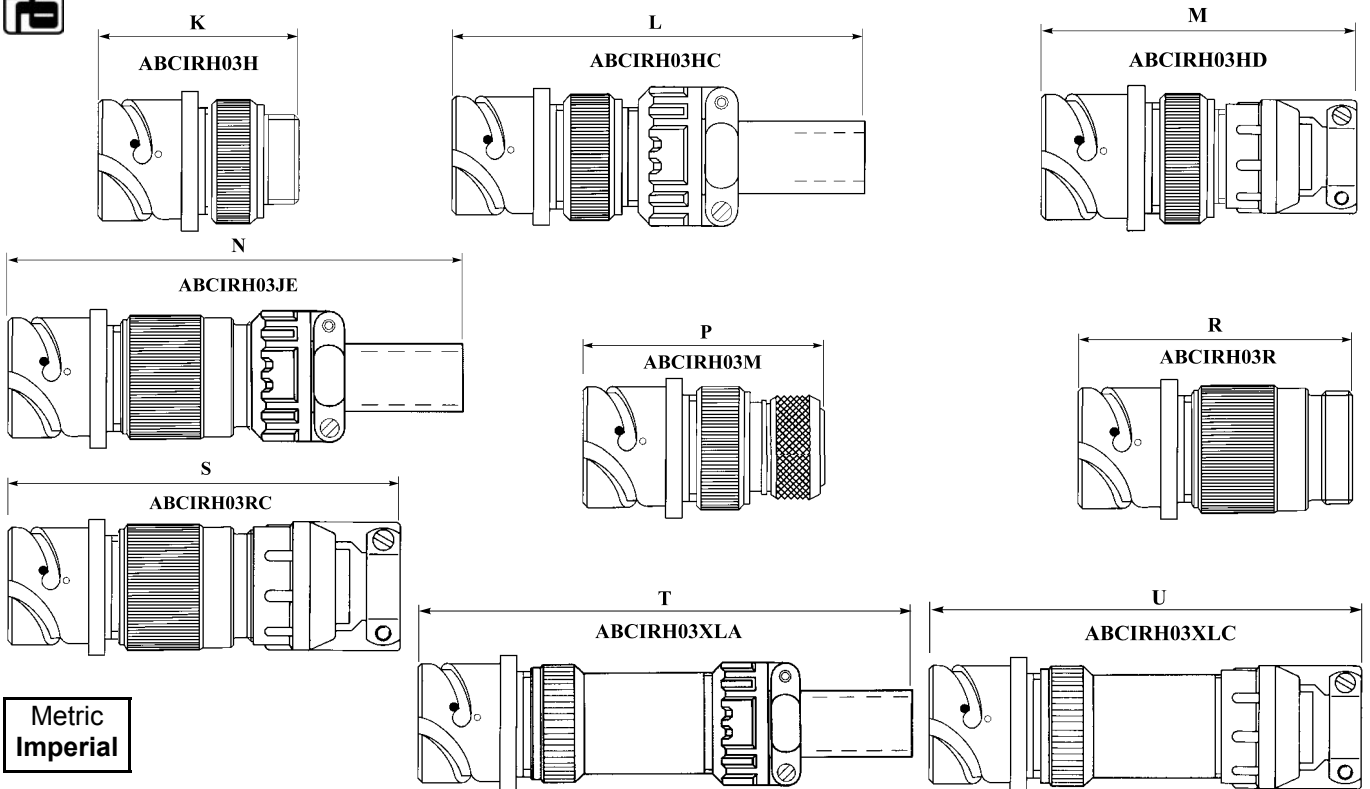


Metric
Imperial

| Shell Size | A | B | C | D | E | F | G | H | J |
|------------|-----------------|----------------|-----------------|-----------------|-----------------|-----------------|----------------|----------------|----------------|
| 10SL | 109,00 4.291 | 44,00 1.732 | 58,00 2.283 | 58,00 2.283 | 55,00 2.165 | 55,00 2.165 | 50,00 1.968 | 54,00 2.126 | * |
| 14S | 108,00 4.252 | 44,00 1.732 | 61,00 2.402 | 61,00 2.402 | 57,00 2.244 | 57,00 2.244 | 50,00 1.968 | 54,00 2.126 | * |
| 16S | 105,00 4.134 | 44,00 1.732 | 65,00 2.559 | 65,00 2.559 | 61,00 2.402 | 61,00 2.402 | 50,00 1.968 | 54,00 2.126 | * |
| 16 | 117,00 4.606 | 60,00 2.362 | 77,00 3.031 | 77,00 3.031 | 73,00 2.874 | 73,00 2.874 | 63,00 2.480 | 70,00 2.756 | * |
| 18 | 121,00 4.764 | 60,00 2.362 | 82,00 3.228 | 82,00 3.228 | 78,00 3.071 | 78,00 3.071 | 65,00 2.559 | 70,00 2.756 | 80,00 3.150 |
| 20 | 120,00 4.724 | 60,00 2.362 | 87,00 3.425 | 88,00 3.465 | 83,00 3.268 | 83,00 3.268 | 66,00 2.598 | 74,00 2.913 | 86,00 3.386 |
| 22 | 120,00 4.724 | 60,00 2.362 | 87,00 3.425 | 88,00 3.465 | 83,00 3.268 | 83,00 3.268 | 68,00 2.677 | 74,00 2.913 | 86,00 3.386 |
| 24 | 114,00 4.488 | 60,00 2.362 | 95,00 3.740 | 95,00 3.740 | 91,00 3.583 | 91,00 3.583 | 66,00 2.598 | 74,00 2.913 | 86,00 3.386 |
| 28 | 124,00 4.882 | 60,00 2.362 | 94,00 3.700 | 94,00 3.700 | 90,00 3.543 | 90,00 3.543 | 68,00 2.677 | 73,00 2.874 | 87,00 3.425 |
| 32 | 121,00 4.764 | 60,00 2.362 | 104,00 4.094 | 107,00 4.213 | 100,00 3.937 | 100,00 3.937 | 67,00 2.638 | 73,00 2.874 | 86,00 3.386 |
| 36 | 118,00 4.646 | 60,00 2.362 | 110,00 4.331 | 111,00 4.370 | 106,00 4.173 | 106,00 4.173 | 72,00 2.835 | 74,00 2.913 | 88,00 3.465 |
| 40 | NA | 60,00 2.362 | 117,00 4.606 | 117,00 4.606 | 113,00 4.449 | 113,00 4.449 | 74,00 2.913 | 74,00 2.913 | 88,00 3.465 |

* Please consult factory for availability.

ABCIRH '03' Style Connector & Accessory cont.



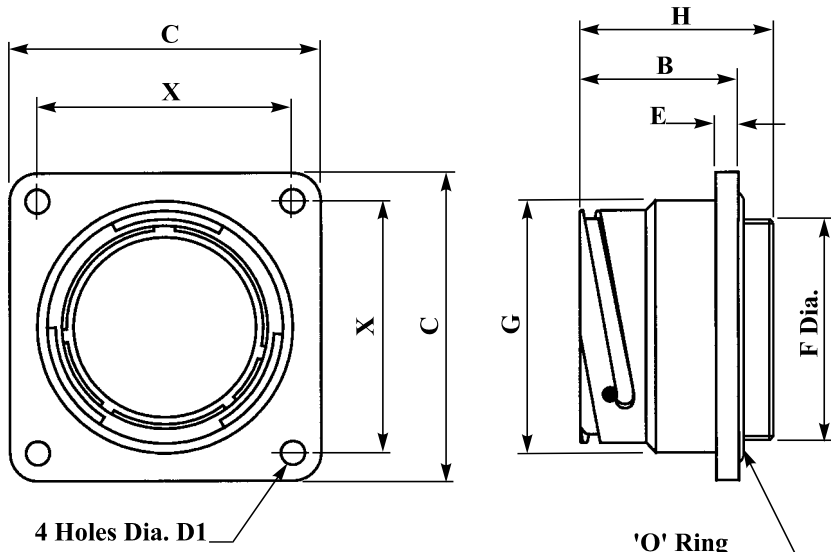
Metric
Imperial

| Shell Size | K | L | M | N | P | R | S | T | U |
|------------|----------------|-----------------|-----------------|-----------------|----------------|----------------|-----------------|-----------------|-----------------|
| 10SL | 50,00 1.969 | 123,00 4.843 | 81,00 3.189 | 122,00 4.803 | 54,00 2.126 | 52,00 2.047 | 83,00 3.268 | 141,00 5.551 | 102,00 4.016 |
| 14S | 50,00 1.969 | 119,00 4.685 | 81,00 3.189 | 118,00 4.646 | 56,00 2.205 | 52,00 2.047 | 83,00 3.268 | 138,00 5.433 | 102,00 4.016 |
| 16S | 50,00 1.969 | 121,00 4.764 | 81,00 3.189 | 115,00 4.528 | 56,00 2.205 | 52,00 2.047 | 83,00 3.268 | 135,00 5.315 | 102,00 4.016 |
| 16 | 63,00 2.480 | 129,00 5.079 | 94,00 3.700 | 129,00 5.079 | 69,00 2.716 | 66,00 2.598 | 97,00 3.819 | 157,00 6.181 | 126,00 4.961 |
| 18 | 65,00 2.559 | 130,00 5.118 | 97,00 3.819 | 132,00 5.197 | 72,00 2.835 | 72,00 2.835 | 104,00 4.094 | 154,00 6.063 | 126,00 4.961 |
| 20 | 65,00 2.559 | 126,00 4.961 | 97,00 3.819 | 129,00 5.079 | 72,00 2.835 | 72,00 2.835 | 104,00 4.094 | 151,00 5.945 | 126,00 4.961 |
| 22 | 65,00 2.559 | 126,00 4.961 | 97,00 3.819 | 129,00 5.079 | 72,00 2.835 | 72,00 2.835 | 104,00 4.094 | 151,00 5.945 | 126,00 4.961 |
| 24 | 65,00 2.559 | 113,00 4.449 | 101,00 3.976 | 129,00 5.079 | 72,00 2.835 | 75,00 2.593 | 110,00 4.331 | 148,00 5.827 | 130,00 5.118 |
| 28 | 65,00 2.559 | 113,00 4.449 | 101,00 3.976 | 130,00 5.118 | 71,00 2.795 | 76,00 2.992 | 111,00 4.370 | 155,00 6.102 | 137,00 5.394 |
| 32 | 64,00 2.520 | 112,00 4.409 | 106,00 4.173 | 125,00 4.921 | 71,00 2.795 | 75,00 2.593 | 117,00 4.606 | 152,00 5.984 | 143,00 5.630 |
| 36 | 64,00 2.520 | 112,00 4.409 | 112,00 4.409 | 122,00 4.803 | 71,00 2.795 | 75,00 2.593 | 123,00 4.842 | 148,00 5.827 | 149,00 5.866 |
| 40 | 64,00 2.520 | 109,00 4.291 | 112,00 4.409 | 120,00 4.724 | 71,00 2.795 | 76,00 2.992 | 118,00 4.646 | 145,00 5.709 | 149,00 5.866 |

Size 49 Square Flange Front Mounting Receptacle

No Accessory or With Grommet & Grommet Nut

AB Styles: ABCIRH04T or ABCIRH04EV



4 Holes Dia. D1

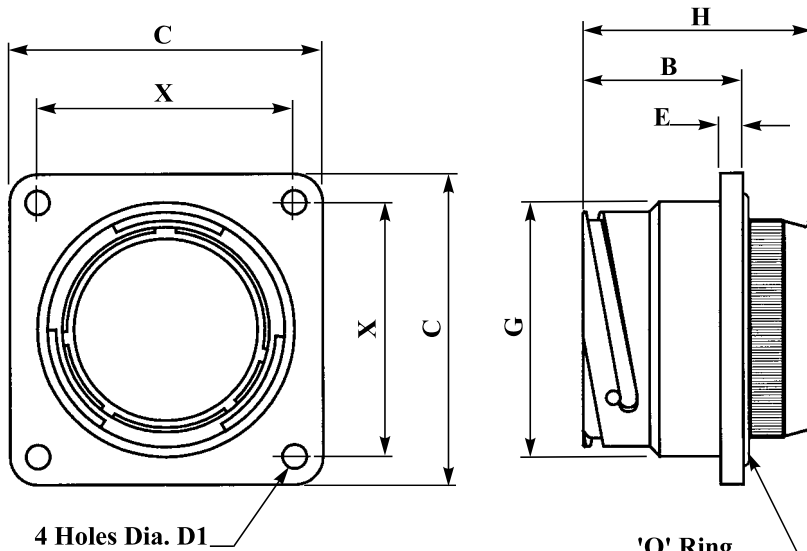
'O' Ring
Panel Seal

See page 82 for panel mounting details

Metric
Imperial

ABCIRH04T

| Shell Size | B | C | D1 +0,2 -0 +0.008-0 | E | F Thread Dia. Class 2A | G Dia. | H | X |
|------------|----------------|-----------------|---------------------------|---------------|---|----------------|----------------|----------------|
| 49 | 56,50 2.224 | 110,00 4.330 | 8,50 0.335 | 8,00 0.315 | 2 ⁷ / ₈ " x 16 UN | 90,00 3.543 | 62,50 2.460 | 90,00 3.543 |



4 Holes Dia. D1

'O' Ring
Panel Seal

See page 82 for panel mounting details

Metric
Imperial

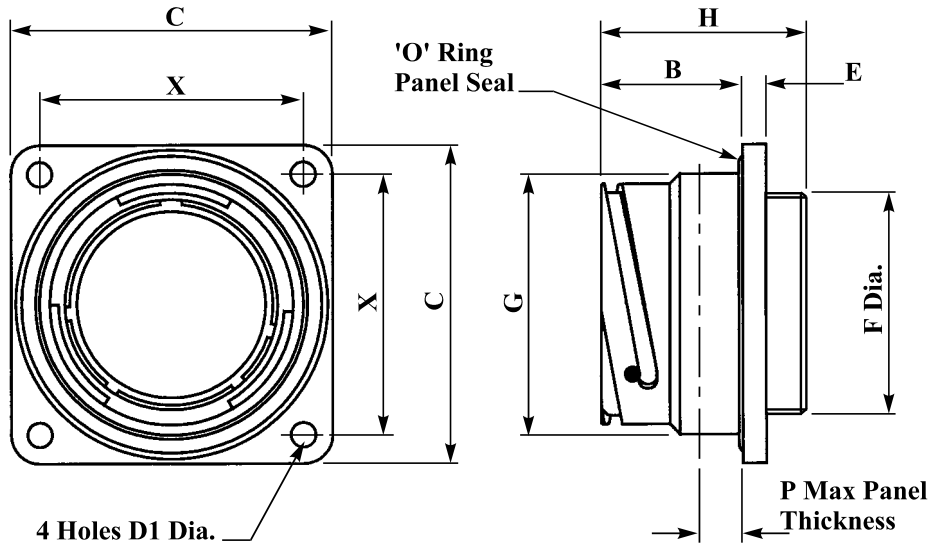
ABCIRH04EV

| Shell Size | B | C | D1 +0,2 -0 +0.008-0 | E | G Dia. | H | X |
|------------|----------------|-----------------|---------------------------|---------------|----------------|----------------|----------------|
| 49 | 56,50 2.224 | 110,00 4.330 | 8,50 0.335 | 8,00 0.315 | 90,00 3.543 | 81,50 3.209 | 90,00 3.543 |

Size 49 Square Flange Rear Mounting Receptacle

No Accessory or With Grommet & Grommet Nut

AB Styles: ABCIRH05T or ABCIRH05EV

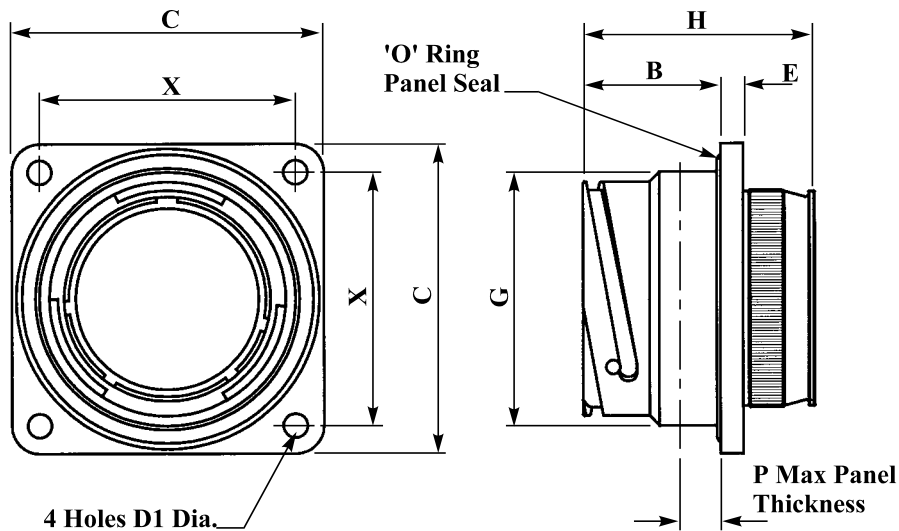


Metric
Imperial

ABCIRH05T

See page 82 for panel mounting details

| Shell Size | B | C | D1 +0,2 -0 +0.008-0 | E | F Thread Dia. Class 2A | G Dia. | H | P | X |
|------------|----------------|-----------------|---------------------------|---------------|---|----------------|----------------|----------------|----------------|
| 49 | 56,50 2.224 | 110,00 4.330 | 8,50 0.335 | 8,00 0.315 | 2 ⁷ / ₈ " x 16 UN | 90,00 3.543 | 62,50 2.460 | 15,00 0.590 | 90,00 3.543 |



Metric
Imperial

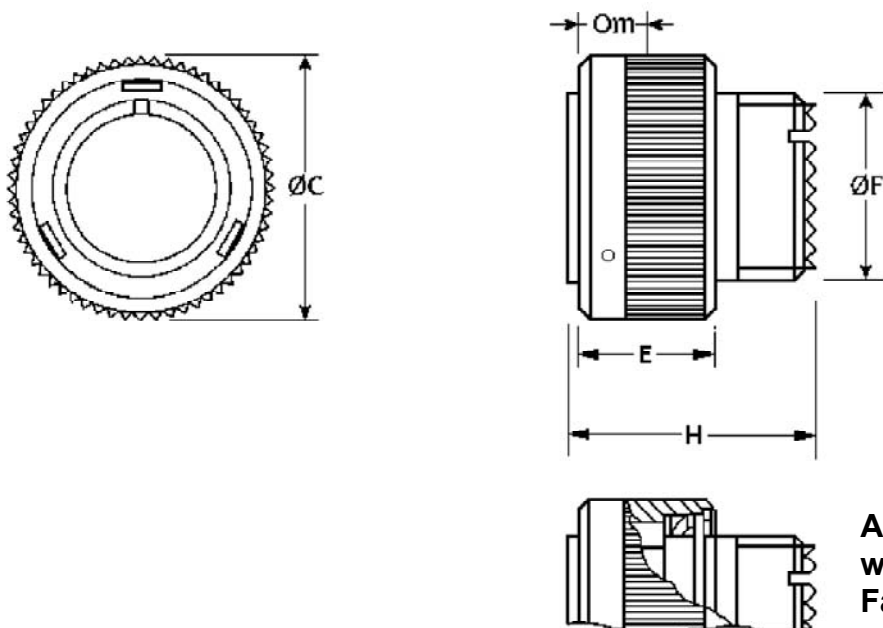
ABCIRH05EV

See page 82 for panel mounting details

| Shell Size | B | C | D1 +0,2 -0 +0.008-0 | E | G Dia. | H | P | X |
|------------|----------------|-----------------|---------------------------|---------------|----------------|----------------|----------------|----------------|
| 49 | 56,50 2.224 | 110,00 4.330 | 8,50 0.335 | 8,00 0.315 | 90,00 3.543 | 81,50 3.209 | 15,00 0.590 | 90,00 3.543 |

Plug - Fine Knurl Coupling Nut

Style: ABCIRH06T/ABCIRHSE06T

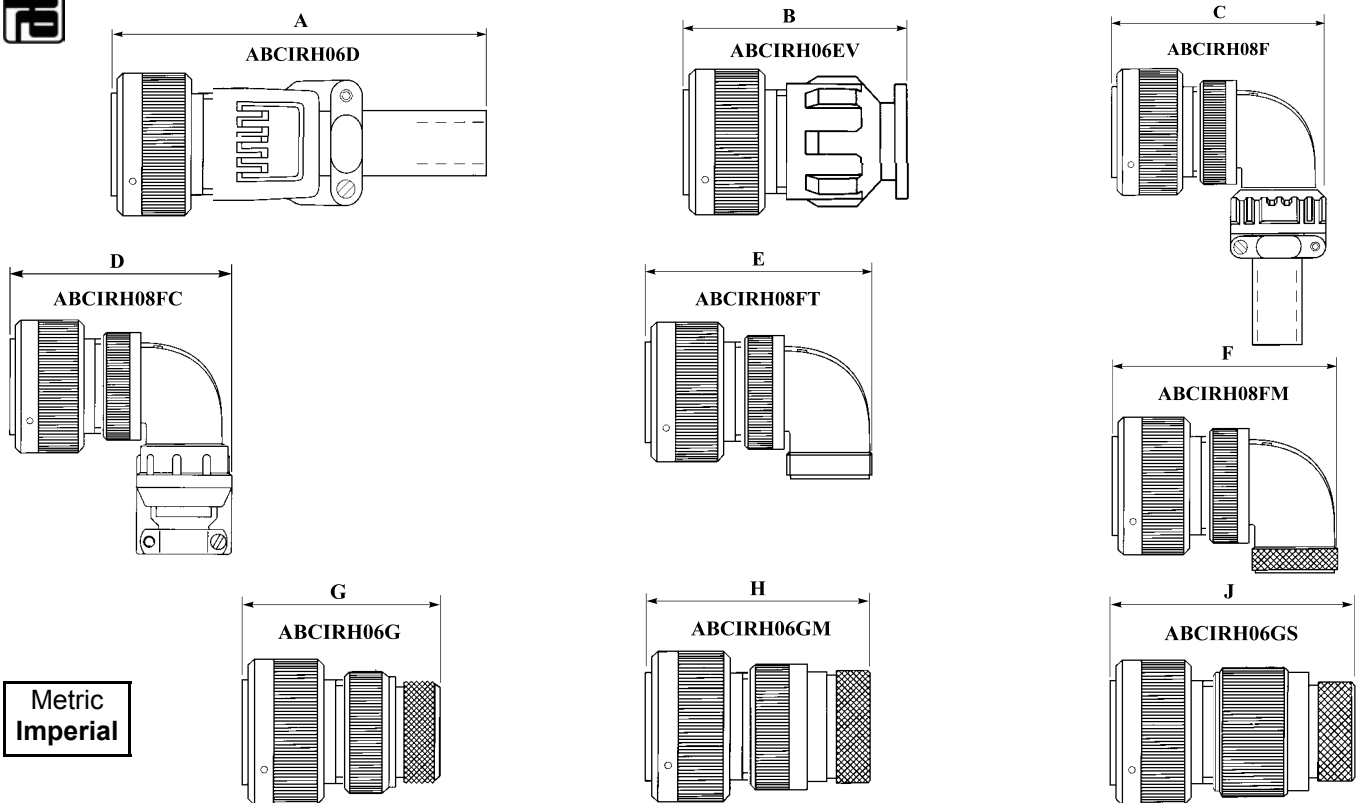


Metric
Imperial

**ABCIRHSE06T
with Screening
Facility**

| Shell Size | C Max | E Max | F Thread Dia. Class 2A | H Max | Om Min Overlap Mated |
|------------|-----------------------|-----------------------|-----------------------------|-----------------------|-----------------------|
| 10SL | 24,20 0.953 | 17,50 0.689 | $\frac{5}{8}$ " x 24 UNEF | 28,95 1.140 | 11,10 0.437 |
| 14S | 30,60 1.205 | 17,50 0.689 | $\frac{3}{4}$ " x 20 UNEF | 28,95 1.140 | 11,10 0.437 |
| 16S | 33,40 1.315 | 17,50 0.689 | $\frac{7}{8}$ " x 20 UNEF | 28,95 1.140 | 11,10 0.437 |
| 16 | 33,40 1.315 | 24,00 0.945 | $\frac{7}{8}$ " x 20 UNEF | 36,40 1.433 | 15,85 0.624 |
| 18 | 37,30 1.468 | 24,00 0.945 | 1" x 20 UNEF | 36,40 1.433 | 15,85 0.624 |
| 20 | 40,70 1.602 | 24,00 0.945 | 1 $\frac{1}{8}$ " x 18 UNEF | 36,40 1.433 | 15,85 0.624 |
| 22 | 44,20 1.740 | 24,00 0.945 | 1 $\frac{1}{4}$ " x 18 UNEF | 36,40 1.433 | 15,85 0.624 |
| 24 | 47,70 1.878 | 24,00 0.945 | 1 $\frac{3}{8}$ " x 18 UNEF | 36,40 1.433 | 15,75 0.620 |
| 28 | 54,50 2.146 | 24,00 0.945 | 1 $\frac{5}{8}$ " x 18 UNEF | 36,40 1.433 | 15,75 0.620 |
| 32 | 61,40 2.417 | 27,00 1.063 | 1 $\frac{7}{8}$ " x 16 UN | 36,40 1.433 | 15,75 0.620 |
| 36 | 68,00 2.677 | 27,00 1.063 | 2 $\frac{1}{16}$ " x 16 UNS | 36,40 1.433 | 15,75 0.620 |
| 40 | 74,00 2.913 | 27,00 1.063 | 2 $\frac{5}{16}$ " x 16 UN | 36,40 1.433 | 15,75 0.620 |

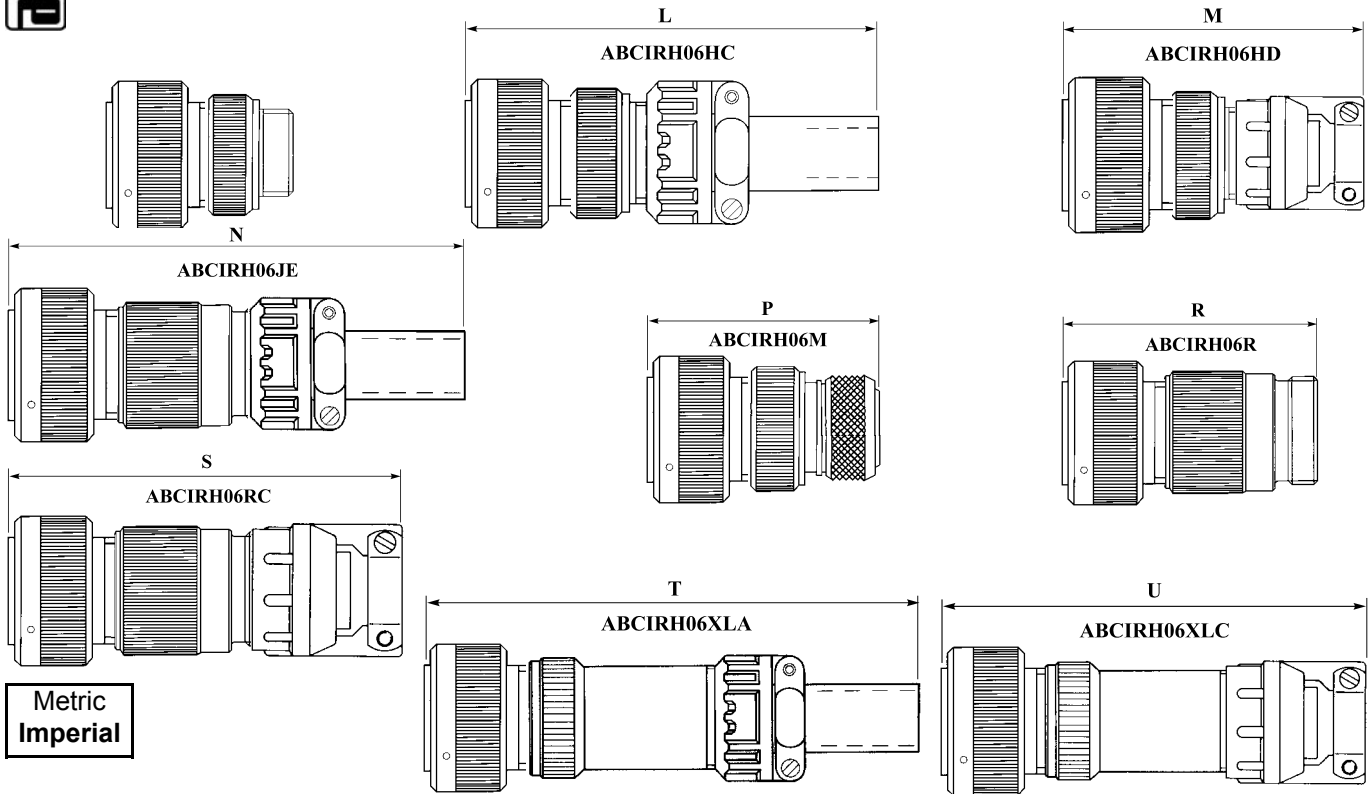
ABCIRH '06' Style Connector & Accessory



| Shell Size | A | B | C | D | E | F | G | H | J |
|------------|-----------------|----------------|-----------------|-----------------|-----------------|-----------------|----------------|----------------|----------------|
| 10SL | 109,00 4.291 | 44,00 1.732 | 57,00 2.244 | 58,00 2.283 | 54,00 2.126 | 54,00 2.126 | 50,00 1.969 | 54,00 2.126 | * |
| 14S | 107,00 4.213 | 44,00 1.732 | 61,00 2.402 | 60,00 2.362 | 56,00 2.205 | 57,00 2.244 | 50,00 1.969 | 54,00 2.126 | * |
| 16S | 104,00 4.094 | 44,00 1.732 | 64,00 2.520 | 64,00 2.520 | 60,00 2.362 | 60,00 2.362 | 50,00 1.969 | 54,00 2.126 | * |
| 16 | 111,00 4.370 | 54,00 2.126 | 71,00 2.795 | 71,00 2.795 | 68,00 2.677 | 68,00 2.677 | 57,00 2.244 | 65,00 2.559 | * |
| 18 | 115,00 4.528 | 54,00 2.126 | 76,00 2.992 | 76,00 2.992 | 72,00 2.835 | 72,00 2.835 | 59,00 2.323 | 65,00 2.559 | 74,00 2.913 |
| 20 | 114,00 4.488 | 54,00 2.126 | 81,00 3.190 | 82,00 3.228 | 77,00 3.031 | 78,00 3.071 | 60,00 2.362 | 68,00 2.677 | 80,00 3.150 |
| 22 | 114,00 4.488 | 54,00 2.126 | 81,00 3.190 | 119,00 4.685 | 78,00 3.071 | 78,00 3.071 | 63,00 2.480 | 68,00 2.677 | 80,00 3.150 |
| 24 | 109,00 4.291 | 54,00 2.126 | 89,00 3.504 | 90,00 3.543 | 86,00 3.386 | 86,00 3.386 | 60,00 2.362 | 68,00 2.677 | 80,00 3.150 |
| 28 | 119,00 4.685 | 54,00 2.126 | 88,00 3.465 | 89,00 3.504 | 85,00 3.346 | 85,00 3.346 | 63,00 2.480 | 67,00 2.638 | 81,00 3.189 |
| 32 | 116,00 4.567 | 54,00 2.126 | 98,00 3.858 | 101,00 3.976 | 95,00 3.740 | 95,00 3.740 | 62,00 2.441 | 67,00 2.638 | 80,00 3.150 |
| 36 | 112,00 4.409 | 54,00 2.126 | 104,00 4.094 | 105,00 4.134 | 101,00 3.976 | 101,00 3.976 | 67,00 2.638 | 68,00 2.677 | 80,00 3.150 |
| 40 | N/A | 54,00 2.126 | 111,00 4.370 | 112,00 4.409 | 107,00 4.213 | 107,00 4.213 | 68,00 2.677 | 68,00 2.677 | 80,00 3.150 |

* Please consult factory for availability.

ABCIRH '06' Style Connector & Accessory cont.

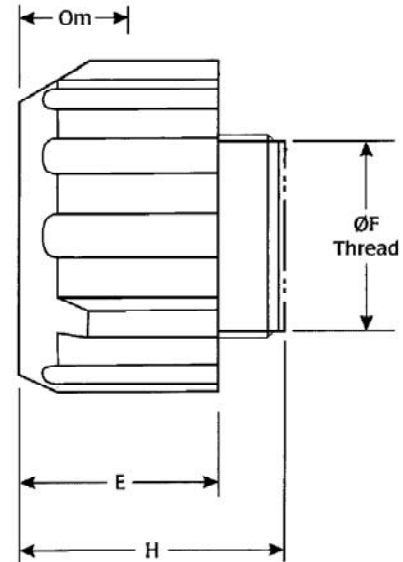
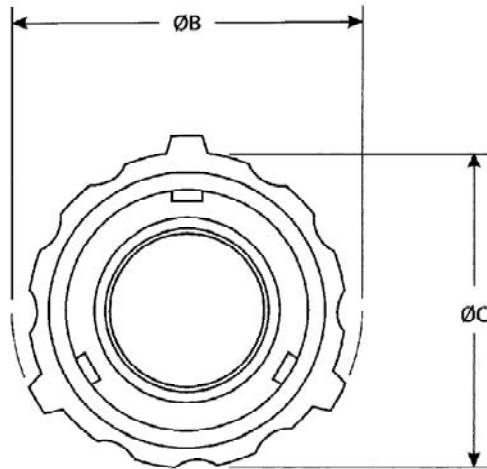


| Shell Size | K | L | M | N | P | R | S | T | U |
|------------|----------------|-----------------|-----------------|-----------------|----------------|----------------|-----------------|-----------------|-----------------|
| 10SL | 50,00 1.969 | 122,00 4.803 | 81,00 3.189 | 121,00 4.764 | 53,00 2.087 | 51,00 2.008 | 82,00 3.228 | 140,00 5.512 | 101,00 3.976 |
| 14S | 50,00 1.969 | 119,00 4.685 | 81,00 3.189 | 118,00 4.646 | 56,00 2.205 | 51,00 2.008 | 82,00 3.228 | 137,00 5.394 | 101,00 3.976 |
| 16S | 50,00 1.969 | 120,00 4.724 | 81,00 3.189 | 115,00 4.528 | 56,00 2.205 | 51,00 2.008 | 82,00 3.228 | 134,00 5.276 | 101,00 3.976 |
| 16 | 57,00 2.244 | 123,00 4.843 | 88,00 3.465 | 124,00 4.882 | 63,00 2.480 | 60,00 2.362 | 91,00 3.583 | 152,00 5.984 | 121,00 4.764 |
| 18 | 59,00 2.323 | 124,00 4.882 | 92,00 3.622 | 127,00 5.000 | 66,00 2.598 | 66,00 2.598 | 99,00 3.898 | 149,00 5.866 | 121,00 4.764 |
| 20 | 59,00 2.323 | 120,00 4.724 | 92,00 3.622 | 123,00 4.843 | 66,00 2.598 | 66,00 2.598 | 99,00 3.898 | 145,00 5.709 | 121,00 4.764 |
| 22 | 59,00 2.323 | 120,00 4.724 | 92,00 3.622 | 123,00 4.843 | 66,00 2.598 | 66,00 2.598 | 99,00 3.898 | 145,00 5.709 | 121,00 4.764 |
| 24 | 59,00 2.323 | 107,00 4.213 | 95,00 3.740 | 123,00 4.843 | 66,00 2.598 | 69,00 2.717 | 105,00 4.134 | 142,00 5.591 | 124,00 4.882 |
| 28 | 59,00 2.323 | 107,00 4.213 | 95,00 3.740 | 124,00 4.882 | 65,00 2.559 | 70,00 2.756 | 106,00 4.173 | 149,00 5.866 | 131,00 5.157 |
| 32 | 58,00 2.283 | 106,00 4.173 | 100,00 3.937 | 120,00 4.724 | 65,00 2.559 | 69,00 2.717 | 111,00 4.370 | 146,00 5.748 | 137,00 5.394 |
| 36 | 58,00 2.283 | 106,00 4.173 | 107,00 4.213 | 117,00 4.606 | 65,00 2.559 | 69,00 2.717 | 117,00 4.606 | 143,00 5.630 | 144,00 5.669 |
| 40 | 58,00 2.283 | 103,00 4.055 | 107,00 4.213 | 114,00 4.488 | 65,00 2.559 | 70,00 2.756 | 112,00 4.409 | 140,00 5.512 | 144,00 5.669 |

Plug

Rubber Covered Coupling Nut

Style: ABCIRHP06T

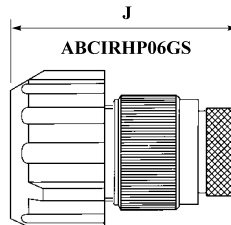
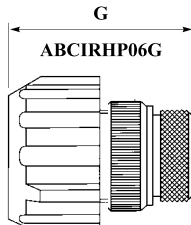
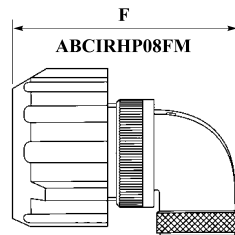
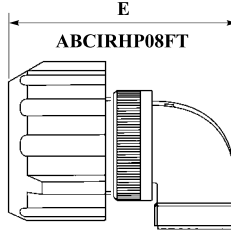
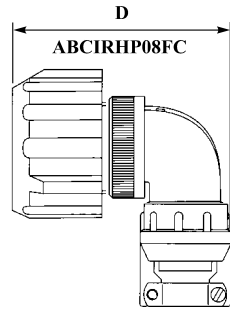
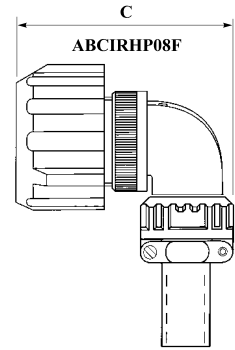
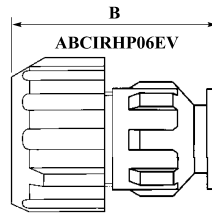
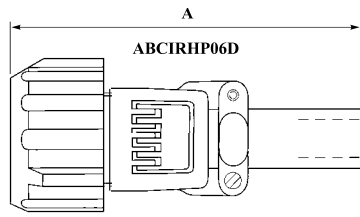


Metric
Imperial

| Shell Size | B Max | C Max | E Max | F Thread Dia. Class 2A | H Max | Om Min Overlap Mated |
|------------|-----------------------|-----------------------|-----------------------|------------------------|-----------------------|-----------------------|
| *10SL | 33,50 1.319 | 28,50 1.122 | 19,40 0.764 | 5/8" x 24 UNEF | 29,55 1.163 | 13,10 0.516 |
| *14S | 40,20 1.583 | 35,20 1.386 | 19,40 0.764 | 3/4" x 20 UNEF | 29,55 1.163 | 13,10 0.516 |
| *16S | 43,88 1.726 | 38,90 1.531 | 19,40 0.764 | 7/8" x 20 UNEF | 29,55 1.163 | 13,10 0.516 |
| *16 | 43,88 1.726 | 38,90 1.531 | 27,10 1.067 | 7/8" x 20 UNEF | 37,07 1.459 | 17,85 0.703 |
| 18 | 49,00 1.929 | 43,50 1.713 | 27,10 1.067 | 1" x 20 UNEF | 37,07 1.459 | 17,85 0.703 |
| 20 | 51,50 2.026 | 46,00 1.811 | 27,10 1.067 | 1 1/8" x 18 UNEF | 37,07 1.459 | 17,85 0.703 |
| 22 | 56,00 2.205 | 50,50 1.988 | 27,10 1.067 | 1 1/4" x 18 UNEF | 37,07 1.459 | 17,85 0.703 |
| 24 | 60,00 2.362 | 54,00 2.126 | 27,10 1.067 | 1 3/8" x 18 UNEF | 37,07 1.459 | 17,75 0.669 |
| *28 | 67,00 2.638 | 61,00 2.402 | 27,10 1.067 | 1 5/8" x 18 UNEF | 37,07 1.459 | 17,75 0.669 |
| *32 | 76,00 2.992 | 67,60 2.661 | 27,10 1.067 | 1 7/8" x 16 UN | 37,07 1.459 | 17,75 0.669 |
| 36 | 82,30 3.240 | 74,30 2.925 | 27,10 1.067 | 2 1/16" x 16 UNS | 37,07 1.459 | 17,75 0.669 |
| 40 | 88,00 3.465 | 80,00 3.150 | 27,10 1.067 | 2 5/16" x 16 UN | 37,07 1.459 | 17,75 0.669 |

* Please consult factory for availability.

ABCIRH 'P06' Style Connector & Accessory

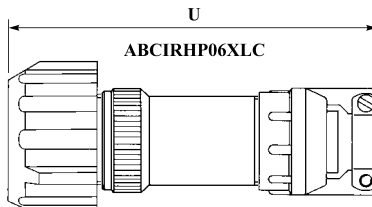
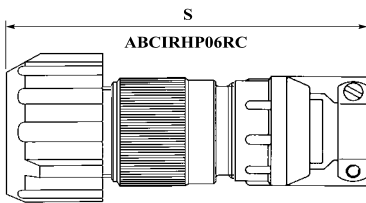
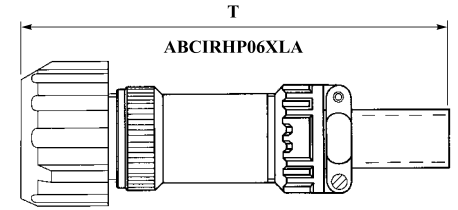
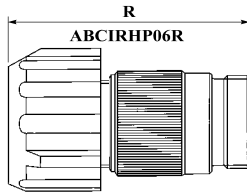
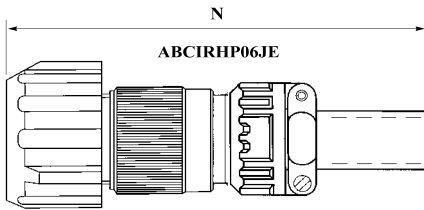
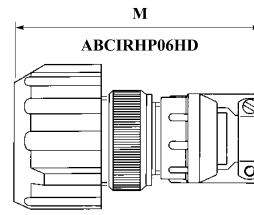
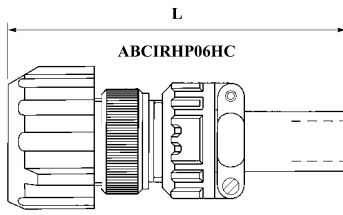
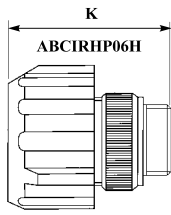


Metric
Imperial

| Shell Size | A | B | C | D | E | F | G | J |
|------------|-----------------|----------------|-----------------|-----------------|-----------------|-----------------|----------------|----------------|
| *10SL | 109,00 4.291 | 44,00 1.732 | 58,00 2.283 | 58,00 2.283 | 55,00 2.165 | 55,00 2.165 | 50,00 1.969 | * |
| *14S | 108,00 4.252 | 44,00 1.732 | 61,00 2.402 | 61,00 2.402 | 57,00 2.244 | 57,00 2.244 | 50,00 1.969 | * |
| *16S | 105,00 4.134 | 44,00 1.732 | 65,00 2.559 | 65,00 2.559 | 61,00 2.402 | 61,00 2.402 | 50,00 1.969 | * |
| *16 | 112,00 4.409 | 55,00 2.165 | 72,00 2.835 | 72,00 2.835 | 68,00 2.677 | 68,00 2.677 | 58,00 2.283 | * |
| 18 | 116,00 4.567 | 55,00 2.165 | 77,00 3.031 | 77,00 3.031 | 73,00 2.874 | 73,00 2.874 | 60,00 2.362 | 75,00 2.953 |
| 20 | 115,00 4.528 | 55,00 2.165 | 82,00 3.228 | 83,00 3.268 | 78,00 3.071 | 78,00 3.071 | 61,00 2.402 | 81,00 3.189 |
| 22 | 115,00 4.528 | 55,00 2.165 | 82,00 3.228 | 83,00 3.268 | 78,00 3.071 | 78,00 3.071 | 64,00 2.520 | 81,00 3.189 |
| 24 | 109,00 4.291 | 55,00 2.165 | 90,00 3.543 | 90,00 3.543 | 86,00 3.386 | 86,00 3.386 | 61,00 2.402 | 81,00 3.189 |
| *28 | 119,00 4.685 | 55,00 2.165 | 89,00 3.504 | 89,00 3.504 | 85,00 3.346 | 85,00 3.346 | 64,00 2.520 | 82,00 3.228 |
| *32 | 116,00 4.567 | 55,00 2.165 | 99,00 3.898 | 102,00 4.016 | 95,00 3.740 | 95,00 3.740 | 62,00 2.441 | 81,00 3.189 |
| 36 | 113,00 4.449 | 55,00 2.165 | 105,00 4.134 | 106,00 4.173 | 101,00 3.976 | 101,00 3.976 | 67,00 2.638 | 81,00 3.189 |
| 40 | NA | 55,00 2.165 | 112,00 4.409 | 112,00 4.409 | 108,00 4.252 | 108,00 4.252 | 69,00 2.717 | 81,00 3.189 |

* Please consult factory for availability.

ABCIRH 'P06' Style Connector & Accessory cont.

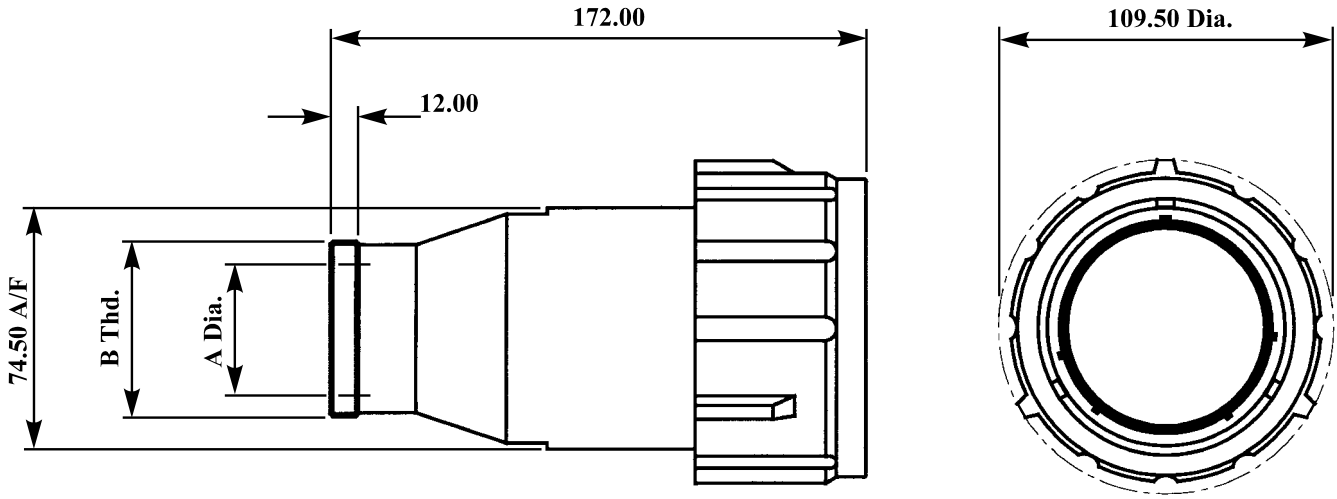


Metric
Imperial

* Please consult factory for availability.

| Shell Size | K | L | M | N | R | S | T | U |
|--------------|-----------------------|------------------------|------------------------|------------------------|-----------------------|------------------------|------------------------|------------------------|
| *10SL | 51,00 2.008 | 123,00 4.843 | 81,00 3.189 | 122,00 4.803 | 52,00 2.047 | 83,00 3.268 | 140,00 5.512 | 102,00 4.016 |
| *14S | 51,00 2.008 | 119,00 4.685 | 81,00 3.189 | 119,00 4.685 | 52,00 2.047 | 83,00 3.268 | 138,00 5.433 | 102,00 4.016 |
| *16S | 51,00 2.008 | 121,00 4.764 | 81,00 3.189 | 115,00 4.528 | 52,00 2.047 | 83,00 3.268 | 135,00 5.315 | 102,00 4.016 |
| *16 | 58,00 2.283 | 124,00 4.882 | 89,00 3.504 | 124,00 4.882 | 61,00 2.402 | 92,00 3.622 | 152,00 5.984 | 121,00 4.764 |
| 18 | 60,00 2.362 | 125,00 4.921 | 93,00 3.661 | 127,00 5.000 | 67,00 2.638 | 99,00 3.898 | 149,00 5.866 | 121,00 4.764 |
| 20 | 60,00 2.362 | 121,00 4.764 | 93,00 3.661 | 124,00 4.882 | 67,00 2.638 | 99,00 3.898 | 146,00 5.748 | 121,00 4.764 |
| 22 | 60,00 2.362 | 121,00 4.764 | 93,00 3.661 | 124,00 4.882 | 67,00 2.638 | 99,00 3.898 | 146,00 5.748 | 121,00 4.764 |
| 24 | 60,00 2.362 | 108,00 4.252 | 96,00 3.780 | 124,00 4.882 | 70,00 2.756 | 106,00 4.173 | 143,00 5.630 | 125,00 4.921 |
| *28 | 60,00 2.362 | 108,00 4.252 | 96,00 3.780 | 125,00 4.921 | 71,00 2.795 | 106,00 4.173 | 150,00 5.906 | 132,00 5.197 |
| *32 | 59,00 2.323 | 107,00 4.213 | 101,00 3.976 | 121,00 4.764 | 70,00 2.756 | 112,00 4.409 | 147,00 5.787 | 138,00 5.433 |
| 36 | 59,00 2.323 | 107,00 4.213 | 107,00 4.213 | 117,00 4.606 | 70,00 2.756 | 118,00 4.646 | 144,00 5.669 | 144,00 5.669 |
| 40 | 59,00 2.323 | 104,00 4.094 | 107,00 4.213 | 116,00 4.567 | 71,00 2.795 | 113,00 4.449 | 140,00 5.512 | 144,00 5.669 |

**ABCIRH Shell Size 49. Plug With Conduit Adaptor
Rubber Covered Coupling Nut
Style: ABCIRHP06GGL or GGS.....**

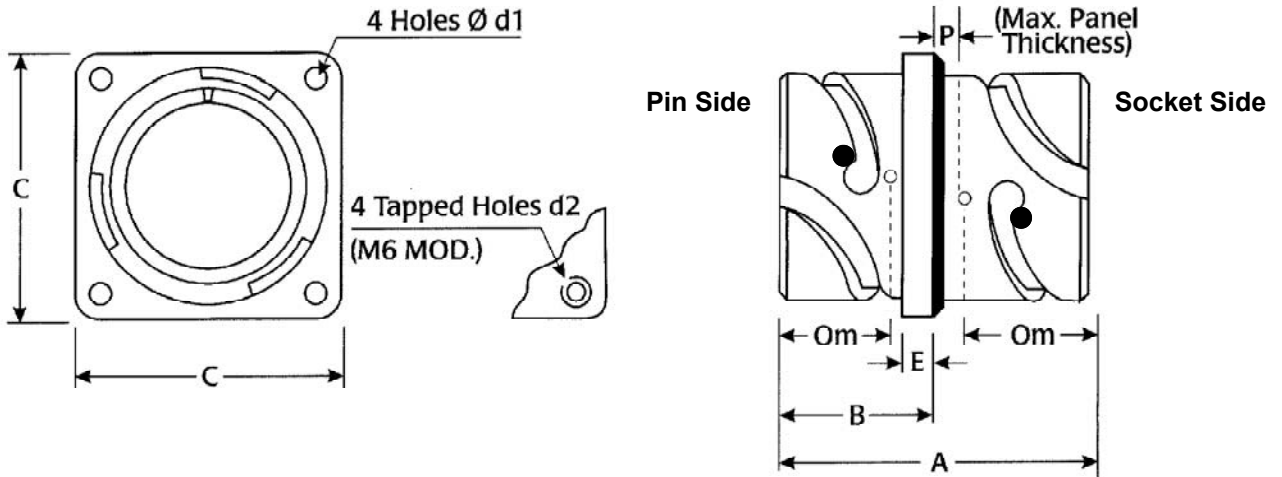


Metric
Imperial

| Connector Style | A Dia. Max. | B Thread |
|-------------------|----------------|--|
| ABCIRHP06GGL..... | 43,50 1.713 | 2 ¹ / ₄ " x 16 UN-2A |
| ABCIRHP06GGS..... | 29,00 1.142 | 1 ³ / ₄ " x 18 UNEF-2A |

Through Bulkhead Receptacle

Style: ABCIRH07/ABCIRH07...M6



Note. Maximum panel thickness when using cap head screws. When using countersunk screws, maximum panel thickness = 7.5 mm.

Metric
Imperial

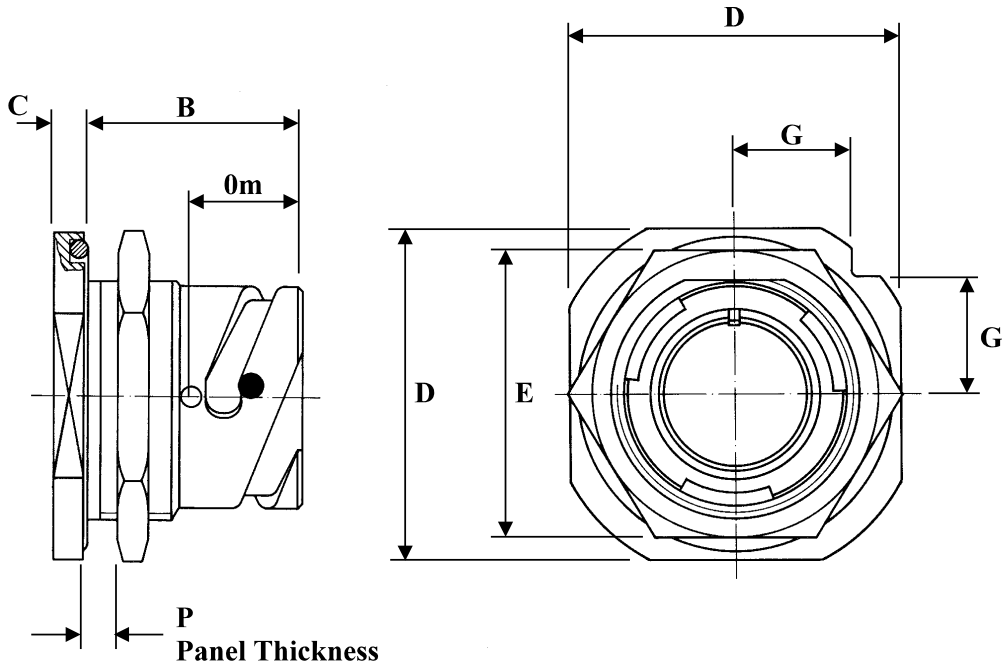
See page 82 for panel mounting details.

| Shell Size | A Max | B Max | C Max | d1 +0,2 -0 +0.008-0 | d2 Thread | E Max | P See Note | Om Min Overlap Mated |
|------------|-----------------------|-----------------------|-----------------------|---------------------------|--------------|----------------------|----------------------|----------------------------|
| 10SL | 38,20 1.504 | 17,60 0.693 | 25,70 1.012 | 3,20 0.126 | M4 | 3,00 0.118 | 3,30 0.130 | 11,10 0.437 |
| 14S | 38,20 1.504 | 18,00 0.709 | 30,30 1.193 | 3,20 0.126 | M4 | 3,40 0.134 | 3,30 0.130 | 11,10 0.437 |
| 16S | 38,20 1.504 | 18,00 0.709 | 32,80 1.291 | 3,20 0.123 | M4 | 3,40 0.134 | 3,30 0.130 | 11,10 0.437 |
| 16 | 52,10 2.051 | 22,80 0.898 | 32,80 1.291 | 3,20 0.126 | M4 | 3,40 0.134 | 3,30 0.130 | 15,85 0.624 |
| 18 | 52,10 2.051 | 23,60 0.929 | 35,30 1.390 | 3,20 0.126 | M4 | 4,20 0.165 | 3,30 0.130 | 15,85 0.624 |
| 20 | 52,10 2.051 | 23,60 0.929 | 38,30 1.508 | 3,20 0.126 | M4 | 4,20 0.165 | 3,30 0.130 | 15,85 0.624 |
| 22 | 52,10 2.051 | 23,60 0.929 | 41,30 1.626 | 3,20 0.126 | M4 | 4,20 0.165 | 3,30 0.130 | 15,75 0.620 |
| 24 | 52,10 2.051 | 25,20 0.992 | 44,80 1.764 | 3,70 0.146 | M4 | 4,20 0.165 | 3,30 0.130 | 15,75 0.620 |
| 28 | 52,10 2.051 | 25,20 0.992 | 51,10 2.012 | 3,70 0.146 | M5 | 4,20 0.165 | 3,30 0.130 | 15,75 0.620 |
| 32 | 52,10 2.051 | 26,80 1.055 | 57,30 2.256 | 4,30 0.169 | M5 | 4,20 0.165 | 3,30 0.130 | 15,75 0.620 |
| 36 | 52,10 2.051 | 26,80 1.055 | 63,80 2.512 | 4,30 0.169 | M5 | 4,20 0.165 | 3,30 0.130 | 15,75 0.620 |
| 40 | 52,10 2.051 | 26,80 1.055 | 70,20 2.764 | 4,30 0.169 | M5 | 4,20 0.165 | 3,30 0.130 | 15,75 0.620 |

Single Hole Mounting Receptacle

Rear Mounted (No Accessory Thread)

Style: ABCIRH09A



Metric
Imperial

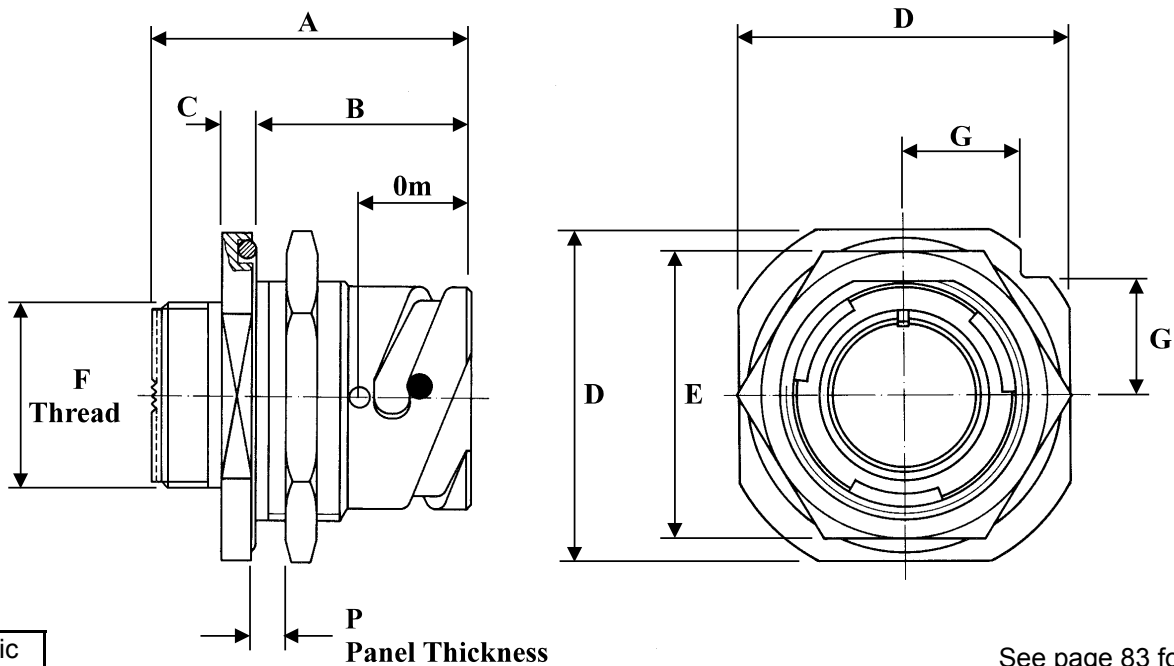
See page 83 for panel mounting details

| Shell Size | B | C | D Max | E | G | P | | Om Min Overlap Mated |
|------------|----------------|---------------|----------------|----------------|----------------|---------------|---------------|----------------------|
| | | | | | | Min | Max | |
| 10SL | 24,50 0.965 | 4,00 0.157 | 32,05 1.262 | 27,00 1.063 | 11,20 0.441 | 2,40 0.094 | 5,20 0.205 | 11,10 0.437 |
| 14S | 26,80 1.055 | 4,80 0.189 | 41,55 1.636 | 33,00 1.299 | 14,60 0.575 | 2,40 0.094 | 7,50 0.295 | 11,10 0.437 |
| 16S | 26,80 1.055 | 4,80 0.189 | 44,65 1.758 | 38,10 1.500 | 15,70 0.618 | 2,40 0.094 | 7,50 0.295 | 11,10 0.437 |
| 16 | 32,10 1.264 | 4,80 0.189 | 44,65 1.758 | 38,10 1.500 | 15,70 0.618 | 2,40 0.094 | 7,50 0.295 | 15,85 0.624 |
| 18 | 33,70 1.327 | 4,80 0.189 | 47,85 1.884 | 39,70 1.563 | 16,80 0.661 | 2,40 0.094 | 9,00 0.354 | 15,85 0.624 |
| 20 | 33,70 1.327 | 4,80 0.189 | 51,05 2.034 | 44,00 1.732 | 18,00 0.709 | 2,40 0.094 | 9,00 0.354 | 15,85 0.624 |
| 22 | 33,70 1.327 | 4,80 0.189 | 54,45 2.144 | 46,00 1.811 | 20,20 0.795 | 2,40 0.094 | 9,10 0.358 | 15,75 0.620 |
| 24 | 33,70 1.327 | 4,80 0.189 | 57,45 2.262 | 50,80 2.000 | 20,20 0.795 | 2,40 0.094 | 9,10 0.358 | 15,75 0.620 |
| 28 | 35,20 1.386 | 5,60 0.220 | 63,75 2.510 | 55,00 2.165 | 22,50 0.886 | 2,40 0.094 | 8,50 0.335 | 15,75 0.620 |
| 32 | 35,20 1.386 | 5,60 0.220 | 70,05 2.758 | 62,00 2.441 | 24,70 0.972 | 2,40 0.094 | 8,50 0.335 | 15,75 0.620 |
| 36 | 35,20 1.386 | 5,60 0.220 | 76,45 3.010 | 71,00 2.795 | 26,90 1.059 | 2,40 0.094 | 8,30 0.327 | 15,75 0.620 |
| 40 | 35,20 1.386 | 5,60 0.220 | 83,75 3.297 | 75,00 2.953 | 29,60 1.165 | 2,40 0.094 | 8,30 0.327 | 15,75 0.620 |

Single Hole Mounting Receptacle

Rear Mounted (With Accessory Thread)

Style: ABCIRH09T

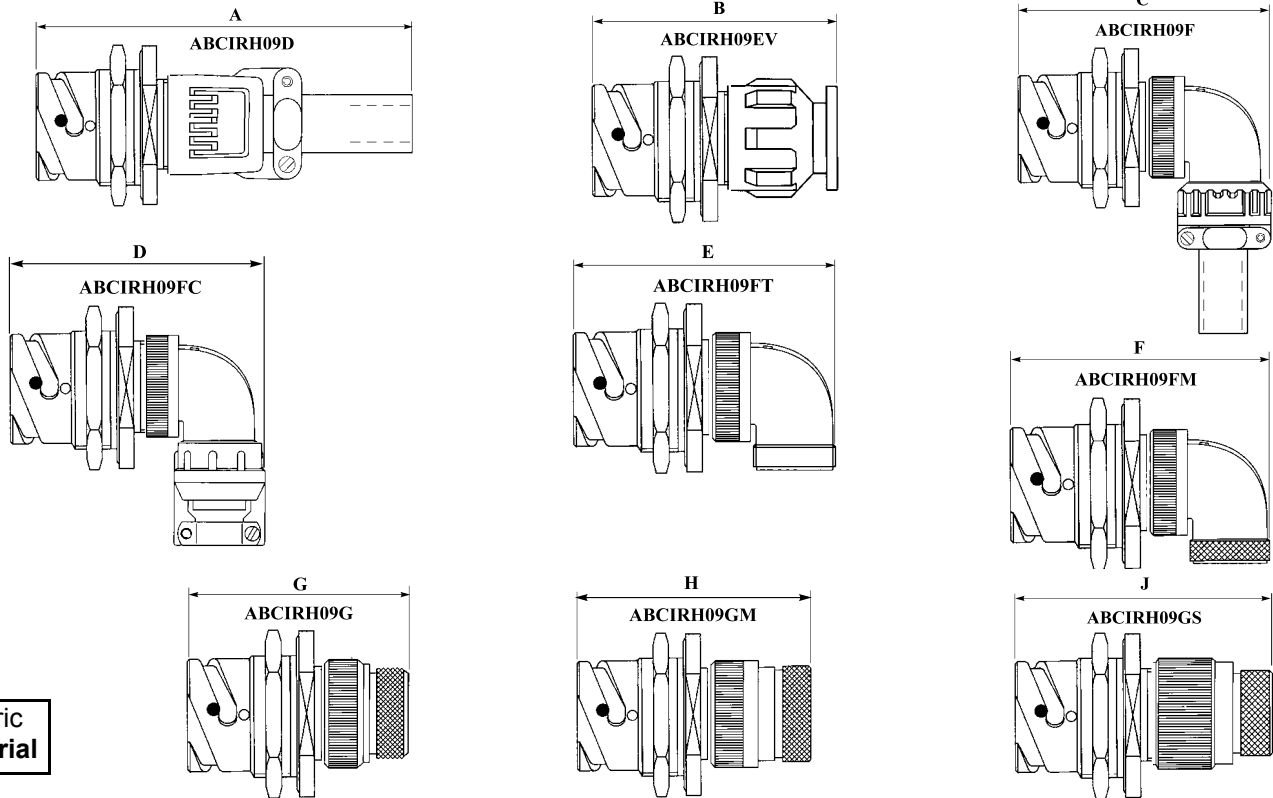


Metric
Imperial

See page 83 for panel mounting details

| Shell Size | A Max | B | C | D Max | E | F Thread Dia. Class 2A | G | P | | Om Min Overlap Mated |
|------------|----------------|----------------|---------------|----------------|----------------|------------------------|----------------|---------------|---------------|----------------------|
| | | | | | | | | Min | Max | |
| 10SL | 36,45 1.435 | 24,50 0.965 | 4,00 0.157 | 32,05 1.262 | 27,00 1.063 | 5/8" x 24 UNEF | 11,20 0.441 | 2,40 0.094 | 5,20 0.205 | 11,10 0.437 |
| 14S | 39,15 1.541 | 26,80 1.055 | 4,80 0.189 | 41,55 1.636 | 33,00 1.299 | 3/4" x 20 UNEF | 14,60 0.575 | 2,40 0.094 | 7,50 0.295 | 11,10 0.437 |
| 16S | 39,15 1.541 | 26,80 1.055 | 4,80 0.189 | 44,65 1.758 | 38,10 1.500 | 7/8" x 20 UNEF | 15,70 0.618 | 2,40 0.094 | 7,50 0.295 | 11,10 0.437 |
| 16 | 48,75 1.919 | 32,10 1.264 | 4,80 0.189 | 44,65 1.758 | 38,10 1.500 | 7/8" x 20 UNEF | 15,70 0.618 | 2,40 0.094 | 7,50 0.295 | 15,85 0.624 |
| 18 | 49,55 1.951 | 33,70 1.327 | 4,80 0.189 | 47,85 1.884 | 39,70 1.563 | 1" x 20 UNEF | 16,80 0.661 | 2,40 0.094 | 9,00 0.354 | 15,85 0.624 |
| 20 | 49,55 1.951 | 33,70 1.327 | 4,80 0.189 | 51,05 2.034 | 44,00 1.732 | 1 1/8" x 18 UNEF | 18,00 0.709 | 2,40 0.094 | 9,00 0.354 | 15,85 0.624 |
| 22 | 49,55 1.951 | 33,70 1.327 | 4,80 0.189 | 54,45 2.144 | 46,00 1.811 | 1 1/4" x 18 UNEF | 20,20 0.795 | 2,40 0.094 | 9,10 0.358 | 15,75 0.620 |
| 24 | 49,55 1.951 | 33,70 1.327 | 4,80 0.189 | 57,45 2.262 | 50,80 2.000 | 1 3/8" x 18 UNEF | 20,20 0.795 | 2,40 0.094 | 9,10 0.358 | 15,75 0.620 |
| 28 | 52,15 2.053 | 35,20 1.386 | 5,60 0.220 | 63,75 2.510 | 55,00 2.165 | 1 5/8" x 18 UNEF | 22,50 0.886 | 2,40 0.094 | 8,50 0.335 | 15,75 0.620 |
| 32 | 52,15 2.053 | 35,20 1.386 | 5,60 0.220 | 70,05 2.758 | 62,00 2.441 | 1 7/8" x 16 UN | 24,70 0.972 | 2,40 0.094 | 8,50 0.335 | 15,75 0.620 |
| 36 | 52,15 2.053 | 35,20 1.386 | 5,60 0.220 | 76,45 3.010 | 71,00 2.795 | 2 1/16" x 16 UNS | 26,90 1.059 | 2,40 0.094 | 8,30 0.327 | 15,75 0.620 |
| 40 | 52,15 2.053 | 35,20 1.386 | 5,60 0.220 | 83,75 3.297 | 75,00 2.953 | 2 5/16" x 16 UN | 29,60 1.165 | 2,40 0.094 | 8,30 0.327 | 15,75 0.620 |

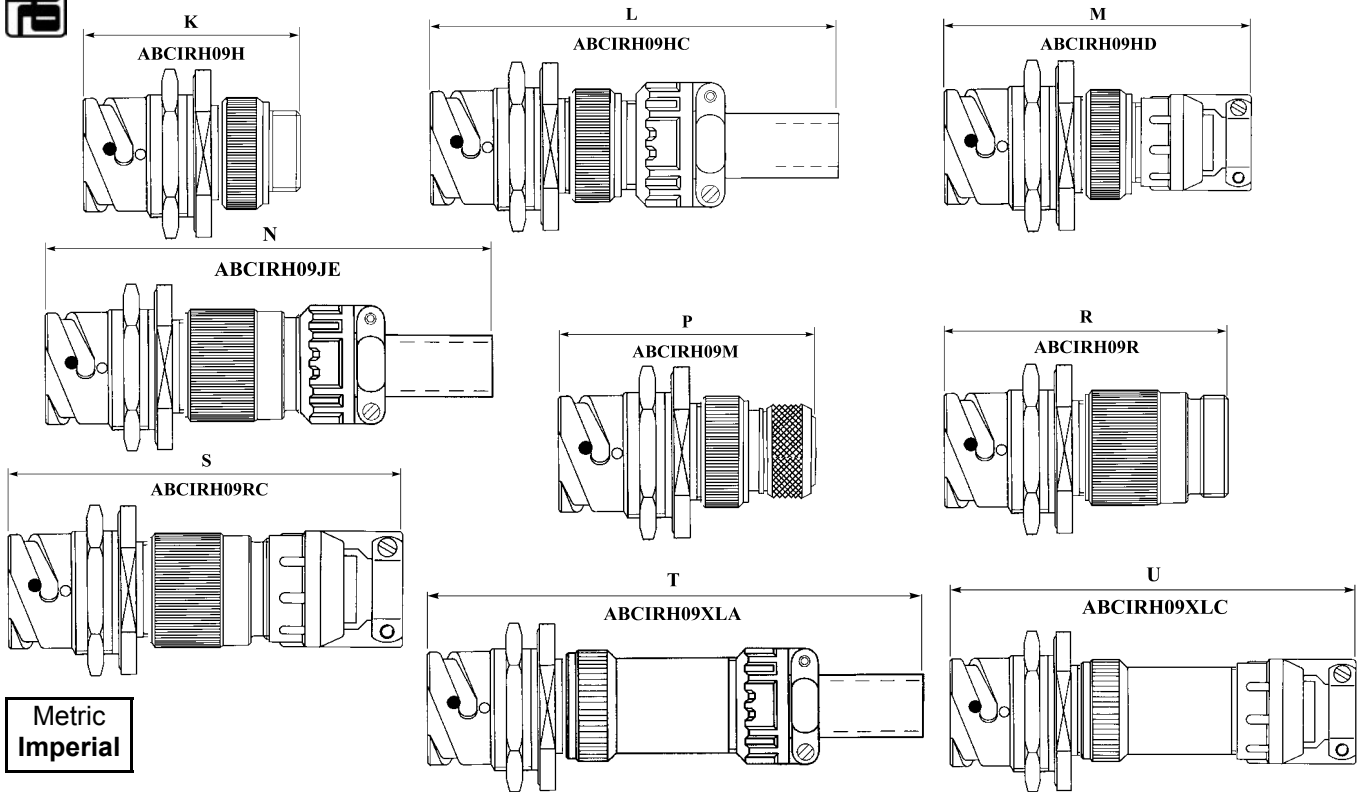
ABCIRH '09' Style Connector & Accessory



| Shell Size | A | B | ++C | ++D | ++E | ++F | ++G | ++H | J |
|------------|------------------------|-----------------------|------------------------|------------------------|------------------------|------------------------|-----------------------|-----------------------|-----------------------|
| 10SL | 116,00 4.567 | 51,00 2.008 | 65,00 2.560 | 65,00 2.560 | 61,00 2.402 | 61,00 2.402 | 57,00 2.244 | 61,00 2.402 | * |
| 14S | 117,00 4.606 | 54,00 2.126 | 70,00 2.756 | 71,00 2.795 | 67,00 2.638 | 67,00 2.638 | 60,00 2.362 | 64,00 2.520 | * |
| 16S | 114,00 4.488 | 54,00 2.126 | 72,00 2.835 | 74,00 2.913 | 70,00 2.756 | 70,00 2.756 | 60,00 2.362 | 64,00 2.520 | * |
| 16 | 124,00 4.882 | 67,00 2.638 | 84,00 3.307 | 83,00 3.268 | 78,00 3.071 | 80,00 3.150 | 69,00 2.717 | 77,00 3.031 | * |
| 18 | 128,00 5.040 | 68,00 2.677 | 89,00 3.504 | 89,00 3.504 | 85,00 3.346 | 85,00 3.346 | 72,00 2.835 | 78,00 3.071 | 88,00 3.465 |
| 20 | 127,00 5.000 | 68,00 2.677 | 94,00 3.700 | 95,00 3.740 | 91,00 3.583 | 91,00 3.583 | 73,00 2.875 | 82,00 3.228 | 93,00 3.661 |
| 22 | 127,00 5.000 | 68,00 2.677 | 94,00 3.700 | 96,00 3.780 | 91,00 3.583 | 91,00 3.583 | 76,00 2.992 | 82,00 3.228 | 94,00 3.700 |
| 24 | 122,00 4.803 | 68,00 2.677 | 102,00 4.016 | 103,00 4.055 | 99,00 3.898 | 99,00 3.898 | 73,00 2.875 | 82,00 3.228 | 94,00 3.700 |
| 28 | 135,00 5.315 | 70,00 2.756 | 104,00 4.094 | 105,00 4.134 | 101,00 3.976 | 101,00 3.976 | 79,00 3.110 | 83,00 3.268 | 97,00 3.700 |
| 32 | 131,00 5.157 | 70,00 2.756 | 114,00 4.488 | 117,00 4.606 | 111,00 4.370 | 111,00 4.370 | 77,00 3.031 | 83,00 3.268 | 96,00 3.780 |
| 36 | 128,00 5.040 | 70,00 2.756 | 120,00 4.724 | 121,00 4.764 | 117,00 4.606 | 117,00 4.606 | 83,00 3.268 | 84,00 3.307 | 96,00 3.780 |
| 40 | NA | 70,00 2.756 | 127,00 5.000 | 128,00 5.039 | 123,00 4.843 | 123,00 4.843 | 84,00 3.307 | 84,00 3.307 | 96,00 3.780 |

* Please consult factory for availability. ++ For connector with locking accessory, please refer to the Sales office.

ABCIRH '09' Style Connector & Accessory cont.



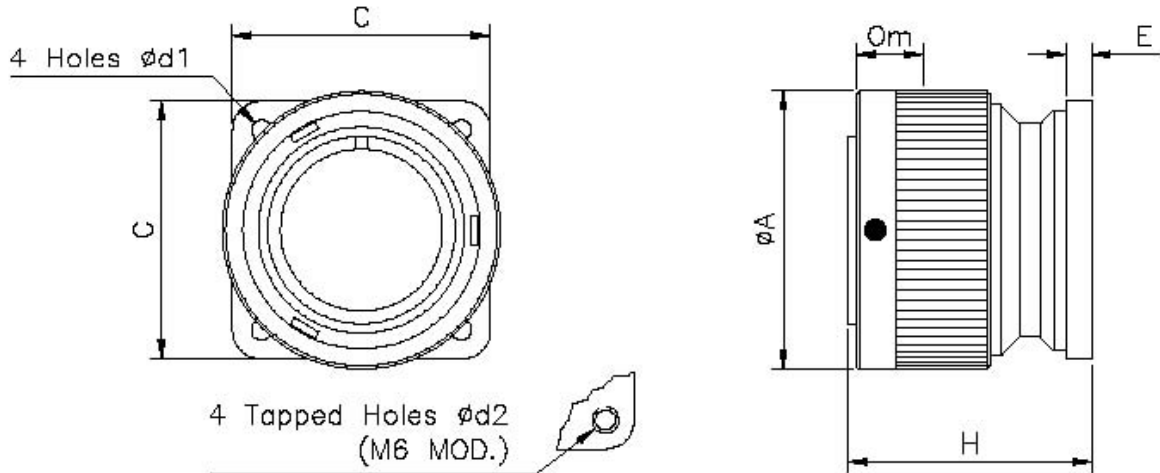
Metric
Imperial

| Shell Size | ++K | ++L | ++M | N | ++P | R | S | ++T | ++U |
|------------|----------------|-----------------|-----------------|-----------------|----------------|----------------|-----------------|-----------------|-----------------|
| 10SL | 57,00 2.244 | 130,00 5.118 | 88,00 3.465 | 130,00 5.118 | 61,00 2.402 | 59,00 2.323 | 90,00 3.543 | 148,00 5.827 | 109,00 4.291 |
| 14S | 60,00 2.362 | 129,00 5.079 | 91,00 3.583 | 128,00 5.039 | 66,00 2.598 | 61,00 2.402 | 92,00 3.622 | 147,00 5.787 | 112,00 4.409 |
| 16S | 60,00 2.362 | 131,00 5.157 | 91,00 3.583 | 125,00 4.921 | 66,00 2.598 | 61,00 2.402 | 92,00 3.622 | 144,00 5.669 | 112,00 4.409 |
| 16 | 72,00 2.835 | 135,00 5.315 | 101,00 3.976 | 136,00 5.354 | 76,00 2.992 | 72,00 2.835 | 103,00 4.055 | 134,00 5.276 | 133,00 5.236 |
| 18 | 73,00 2.875 | 138,00 5.433 | 105,00 4.134 | 140,00 5.512 | 80,00 3.150 | 79,00 3.110 | 112,00 4.409 | 162,00 6.378 | 134,00 5.276 |
| 20 | 73,00 2.875 | 133,00 5.236 | 105,00 4.134 | 137,00 5.394 | 80,00 3.150 | 79,00 3.110 | 112,00 4.409 | 159,00 6.260 | 134,00 5.276 |
| 22 | 73,00 2.875 | 133,00 5.236 | 105,00 4.134 | 137,00 5.394 | 80,00 3.150 | 79,00 3.110 | 112,00 4.409 | 159,00 6.260 | 134,00 5.276 |
| 24 | 73,00 2.875 | 120,00 4.724 | 108,00 4.252 | 137,00 5.394 | 80,00 3.150 | 79,00 3.110 | 112,00 4.409 | 159,00 6.260 | 134,00 5.276 |
| 28 | 75,00 2.953 | 123,00 4.843 | 112,00 4.409 | 140,00 5.512 | 81,00 3.189 | 86,00 3.386 | 121,00 4.764 | 165,00 6.496 | 147,00 5.787 |
| 32 | 74,00 2.913 | 122,00 4.803 | 116,00 4.567 | 136,00 5.354 | 81,00 3.189 | 85,00 3.346 | 127,00 5.000 | 162,00 6.378 | 153,00 6.024 |
| 36 | 74,00 2.913 | 122,00 4.803 | 122,00 4.803 | 133,00 5.236 | 81,00 3.189 | 85,00 3.346 | 133,00 5.236 | 159,00 6.260 | 159,00 6.260 |
| 40 | 74,00 2.913 | 119,00 4.685 | 123,00 4.843 | 131,00 5.157 | 81,00 3.189 | 86,00 3.386 | 128,00 5.039 | 155,00 6.102 | 159,00 6.260 |

++ For connector with locking accessory, please refer to the Sales office.

Panel Mounted Plug (No Accessory Thread)

Style: ABCIRH12A/ABCIRH12A...M6



Metric
Imperial

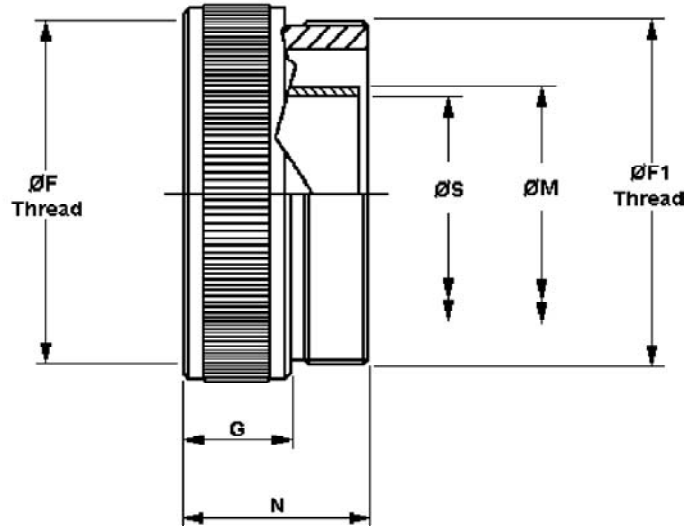
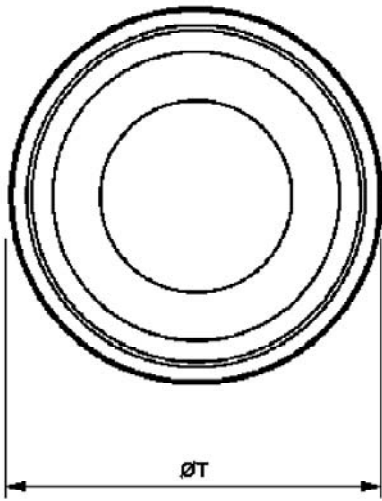
See page 82 for panel mounting details

| Shell Size | A Max. | C Max. | d1 +0.2, -0 mm | d2 Thread | E Max. | H Max. | Om Min. Overlap, mated |
|------------|-----------------------|-----------------------|----------------------|--------------|----------------------|-----------------------|---------------------------|
| 10SL | 24,20 0.953 | 25,70 1.012 | 3,20 0.126 | M4 | 3,00 0.118 | 28,10 1.106 | 11,10 0.437 |
| 14S | 30,60 1.205 | 30,30 1.193 | 3,20 0.126 | M4 | 3,40 0.134 | 28,10 1.106 | 11,10 0.437 |
| 16S | 33,40 1.315 | 32,80 1.291 | 3,20 0.126 | M4 | 3,40 0.134 | 28,10 1.106 | 11,10 0.437 |
| 16 | 33,40 1.315 | 32,80 1.291 | 3,20 0.126 | M4 | 3,40 0.134 | 37,60 1.480 | 15,85 0.624 |
| 18 | 37,30 1.469 | 35,30 1.390 | 3,20 0.126 | M4 | 4,20 0.165 | 38,60 1.519 | 15,85 0.624 |
| 20 | 40,70 1.602 | 38,30 1.508 | 3,20 0.126 | M4 | 4,20 0.165 | 38,60 1.519 | 15,85 0.624 |
| 22 | 44,20 1.740 | 41,30 1.626 | 3,20 0.126 | M4 | 4,20 0.165 | 38,60 1.519 | 15,85 0.624 |
| 24 | 47,70 1.878 | 44,80 1.764 | 3,20 0.126 | M4 | 4,20 0.165 | 41,00 1.614 | 15,75 0.620 |
| 28 | 54,50 2.146 | 51,10 2.012 | 3,20 0.126 | M5 | 4,20 0.165 | 41,80 1.646 | 15,75 0.620 |
| 32 | 61,40 2.417 | 57,30 2.256 | 4,30 0.169 | M5 | 4,20 0.165 | 45,00 1.772 | 15,75 0.620 |
| 36 | 68,00 2.677 | 63,80 2.512 | 4,30 0.169 | M5 | 4,20 0.165 | 45,00 1.772 | 15,75 0.620 |
| 40 | 74,00 2.913 | 70,20 2.764 | 4,30 0.169 | M5 | 4,20 0.165 | 45,00 1.772 | 15,75 0.620 |

Conduit Adaptor With Braid Screen Trap - No Grommet

Accessory Type 'RM'

Style: ABB - ** - CRA



Metric
Imperial

Note.
This accessory can only be used in conjunction with style 'CCA', 'H' or 'FT' adaptor.

How to order:
ABB - ** - CRA
Shell size _____

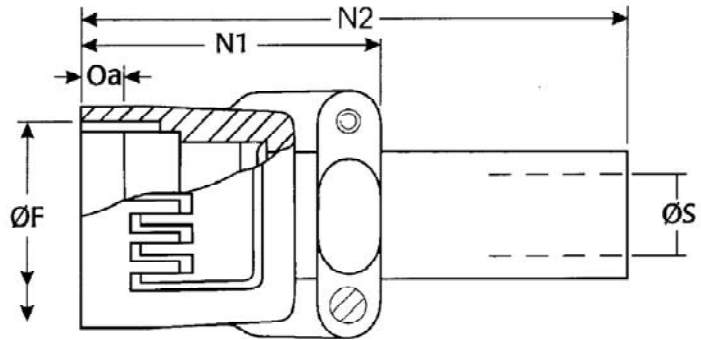
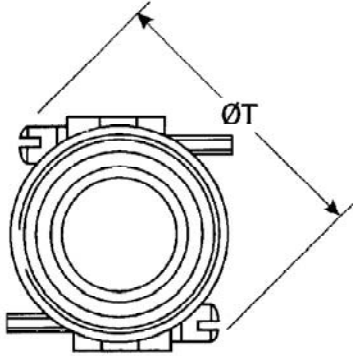
| Shell Size | F Thread Dia. Class 2B | F1 Thread Dia. Class 2A | G Max | N Max | S Min | T Max | M Max |
|------------|------------------------|-------------------------|-----------------------|-----------------------|-----------------------|-----------------------|-----------------------|
| *10SL | - | - | - | - | - | - | - |
| 14S | 3/4" x 20 UNEF | 7/8" x 20 UNEF | 10,00 0.394 | 27,60 1.087 | 8,51 0.335 | 21,53 0.848 | 11,71 0.461 |
| 16S | 7/8" x 20 UNEF | 1" x 20 UNEF | 10,00 0.394 | 27,60 1.087 | 9,74 0.383 | 25,50 1.004 | 13,10 0.516 |
| 16 | 7/8" x 20 UNEF | 1" x 20 UNEF | 11,00 0.433 | 30,60 1.205 | 9,74 0.383 | 25,50 1.004 | 13,10 0.516 |
| 18 | 1" x 20 UNEF | 1 3/16" x 18 UNEF | 11,00 0.433 | 30,60 1.205 | 12,90 0.508 | 29,10 1.146 | 16,26 0.640 |
| 20 | 1 3/16" x 18 UNEF | 1 7/16" x 18 UNEF | 11,00 0.433 | 30,60 1.205 | 18,23 0.718 | 35,45 1.396 | 21,51 0.847 |
| 22 | 1 3/16" x 18 UNEF | 1 7/16" x 18 UNEF | 11,00 0.433 | 30,60 1.205 | 18,23 0.718 | 35,45 1.396 | 21,51 0.847 |
| 24 | 1 7/16" x 18 UNEF | 1 3/4" x 18 UNS | 11,00 0.433 | 30,60 1.205 | 25,93 1.021 | 43,60 1.717 | 29,21 1.150 |
| 28 | 1 7/16" x 18 UNEF | 1 3/4" x 18 UNS | 11,00 0.433 | 30,60 1.205 | 25,93 1.021 | 43,60 1.717 | 29,21 1.150 |
| 32 | 1 3/4" x 18 UNS | 1 3/4" x 18 UNS | 13,00 0.512 | 30,60 1.205 | 25,93 1.021 | 49,55 1.951 | 29,10 1.146 |
| 36 | 2" x 18 UNS | 2" x 18 UNS | 13,00 0.512 | 30,60 1.205 | 32,00 1.260 | 55,90 2.201 | 35,19 1.385 |
| 40 | 2 1/4" x 16 UN | 2 1/4" x 16 UN | 13,00 0.512 | 30,60 1.205 | 32,33 1.273 | 63,10 2.484 | 35,60 1.402 |

Please consult factory for availability.

Non-Locking Cable Clamp With Grommet & Follower

Accessory Type 'D'

Style: ABBH - ** - ** - OCN - F80



Metric
Imperial

How to order:

ABBH - ** - ** - OCN - F80

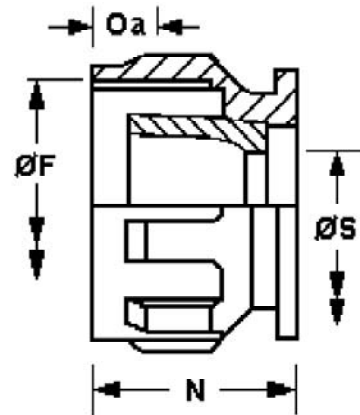
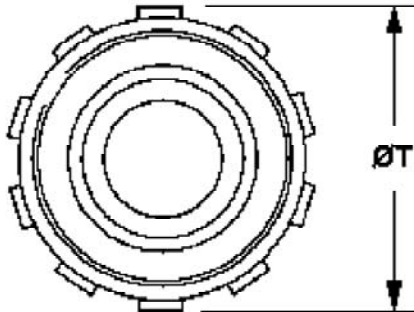
Shell size _____

Contact arrangement _____

| Shell Size | F Thread Dia. Class 2B | N1 Max | N2 Max | S Min/Max | T Max | Oa Min Overlap Accessory |
|------------|------------------------|-----------------------|-----------------------|-----------------------------------|-----------------------|--------------------------|
| 10SL | 5/8" x 24 UNEF | 36,42 1.434 | 86,68 3.413 | 3,68/5,76 0.145/0.227 | 35,15 1.384 | 7,00 0.276 |
| 14S | 3/4" x 20 UNEF | 27,41 1.079 | 85,04 3.348 | 4,62/8,10 0.182/0.319 | 39,88 1.570 | 7,00 0.276 |
| 16S | 7/8" x 20 UNEF | 27,41 1.079 | 81,99 3.228 | 7,82/11,30 0.308/0.444 | 41,45 1.632 | 7,00 0.276 |
| 16 | 7/8" x 20 UNEF | 27,41 1.079 | 81,99 3.228 | 7,82/11,30 0.308/0.444 | 41,45 1.632 | 7,00 0.276 |
| 18 | 1" x 20 UNEF | 44,68 1.759 | 85,55 3.368 | 8,79/14,45 0.346/0.569 | 45,52 1.792 | 7,00 0.276 |
| 20 | 1 1/8" x 18 UNEF | 44,68 1.759 | 84,61 3.331 | 10,54/16,00 0.415/0.632 | 49,63 1.954 | 7,00 0.276 |
| 22 | 1 1/4" x 18 UNEF | 44,68 1.759 | 84,61 3.331 | 10,54/16,00 0.415/0.632 | 49,63 1.954 | 7,00 0.276 |
| 24 | 1 3/8" x 18 UNEF | 44,68 1.759 | 79,20 3.118 | 14,55/19,23 0.573/0.757 | 56,29 2.216 | 7,00 0.276 |
| 28 | 1 5/8" x 18 UNEF | 54,79 2.157 | 89,31 3.516 | 14,15/19,23 0.557/0.757 | 60,45 2.380 | 7,00 0.276 |
| 32 | 1 7/8" x 16 UN | 54,79 2.157 | 86,13 3.390 | 19,18/23,98 0.755/0.944 | 68,43 2.694 | 7,00 0.276 |
| 36 | 2 1/16" x 16 UNS | 54,79 2.157 | 82,98 3.267 | 24,51/31,93 0.965/1.257 | 71,68 2.822 | 7,00 0.276 |

Non-Locking Grommet Nut With Grommet & Follower Accessory Type 'EV'

Style: ABBH - ** - ** - EV - F80



Metric
Imperial

How to order:

ABBH - ** - ** - EV - F80

Shell size

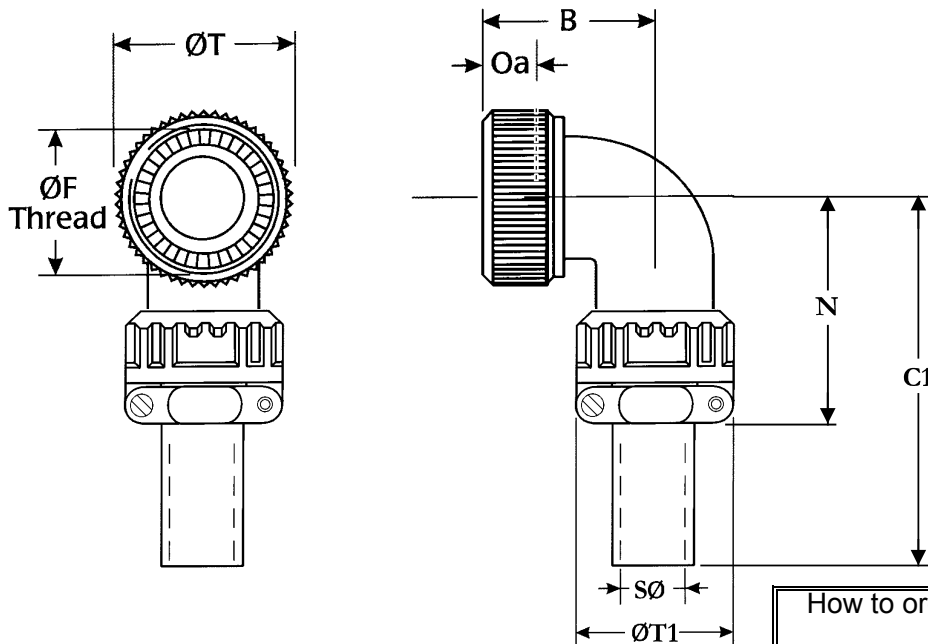
Contact arrangement

| Shell Size | T Max | F Thread Dia. Class 2B | N Max | S Min | Oa Min Overlap Accessory |
|------------|-----------------------|------------------------|-----------------------|-----------------------|--------------------------|
| 10SL | 21,60 0.850 | 5/8" x 24 UNEF | 20,83 0.820 | 8,60 0.339 | 6,10 0.240 |
| 14S | 24,80 0.976 | 3/4" x 20 UNEF | 20,83 0.820 | 11,10 0.437 | 6,10 0.240 |
| 16S | 28,70 1.130 | 7/8" x 20 UNEF | 20,83 0.820 | 14,30 0.563 | 6,10 0.240 |
| 16 | 28,70 1.130 | 7/8" x 20 UNEF | 25,53 1.005 | 14,30 0.563 | 7,60 0.300 |
| 18 | 31,90 1.256 | 1" x 20 UNEF | 25,53 1.005 | 16,70 0.657 | 7,60 0.300 |
| 20 | 34,90 1.374 | 1 1/8" x 18 UNEF | 25,53 1.005 | 19,80 0.780 | 7,60 0.300 |
| 22 | 38,20 1.504 | 1 1/4" x 18 UNEF | 25,53 1.005 | 21,34 0.840 | 7,60 0.300 |
| 24 | 41,40 1.630 | 1 3/8" x 18 UNEF | 25,53 1.005 | 25,40 1.000 | 7,60 0.300 |
| 28 | 47,80 1.882 | 1 5/8" x 18 UNEF | 25,53 1.005 | 30,13 1.186 | 7,60 0.300 |
| 32 | 54,10 2.130 | 1 7/8" x 16 UN | 25,53 1.005 | 36,73 1.446 | 7,60 0.300 |
| 36 | 58,70 2.311 | 2 1/16" x 16 UNS | 25,53 1.005 | 41,00 1.614 | 7,60 0.300 |
| 40 | 63,00 2.480 | 2 5/16" x 16 UN | 25,64 1.009 | 45,90 1.807 | 7,60 0.300 |

Locking 90° Outlet With Cable Clamp & Grommet

Accessory Type 'F'

Style: ABBH - ** - ** - F - F80



How to order:
ABBH - ** - ** - F - F80
 Shell size _____
 Contact arrangement _____

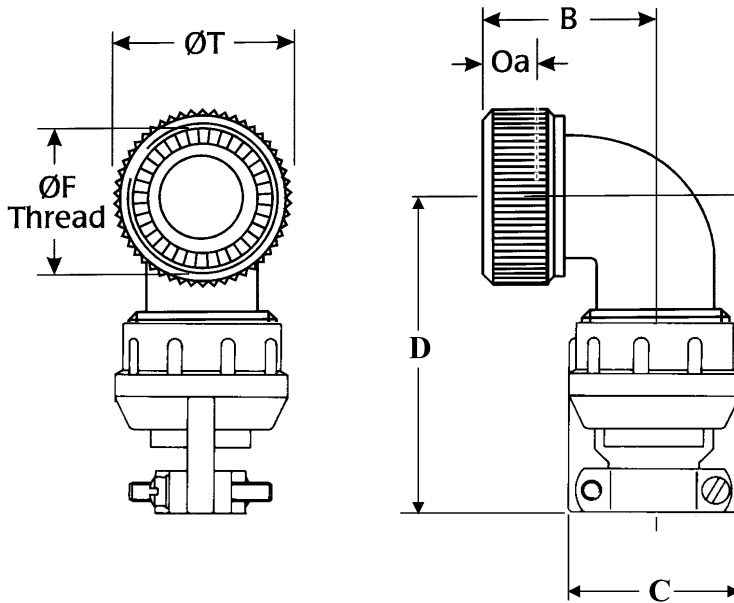
Metric
Imperial

| Shell Size | B Max | C Max | C1 Max | F Thread Dia. Class 2B | N Max | T Max | T1 Max | S Max | Oa Min Overlap Accessory |
|------------|----------------|----------------|-----------------|------------------------|----------------|----------------|----------------|----------------|--------------------------|
| 10SL | 24,00 0.945 | 30,00 1.181 | 100,00 3.937 | 5/8" x 24 UNEF | 42,00 1.654 | 22,00 0.866 | 22,70 0.894 | 5,76 0.227 | 7,00 0.276 |
| 14S | 25,00 0.984 | 30,00 1.181 | 100,00 3.937 | 3/4" x 20 UNEF | 42,00 1.654 | 25,00 0.984 | 27,50 1.083 | 8,10 0.319 | 7,00 0.276 |
| 16S | 27,00 1.063 | 30,00 1.181 | 100,00 3.937 | 7/8" x 20 UNEF | 45,00 1.772 | 28,00 1.102 | 30,00 1.181 | 11,30 0.444 | 7,00 0.276 |
| 16 | 27,00 1.063 | 30,00 1.181 | 100,00 3.937 | 7/8" x 20 UNEF | 45,00 1.772 | 28,00 1.102 | 30,00 1.181 | 11,30 0.444 | 7,00 0.276 |
| 18 | 30,10 1.224 | 35,00 1.378 | 100,00 3.937 | 1" x 20 UNEF | 53,00 2.087 | 31,00 1.220 | 33,00 1.299 | 14,45 0.569 | 7,00 0.276 |
| 20 | 33,00 1.299 | 35,00 1.378 | 100,00 3.937 | 1 1/8" x 18 UNEF | 53,00 2.087 | 35,00 1.378 | 37,50 1.476 | 16,00 0.632 | 7,00 0.276 |
| 22 | 33,10 1.303 | 35,00 1.378 | 100,00 3.937 | 1 1/4" x 18 UNEF | 53,00 2.087 | 38,00 1.496 | 37,50 1.476 | 16,00 0.632 | 7,00 0.276 |
| 24 | 37,90 1.492 | 40,00 1.575 | 100,00 3.937 | 1 3/8" x 18 UNEF | 58,00 2.283 | 41,00 1.614 | 43,30 1.705 | 19,23 0.757 | 7,00 0.276 |
| 28 | 37,10 1.461 | 40,00 1.575 | 100,00 3.937 | 1 5/8" x 18 UNEF | 58,00 2.283 | 48,00 1.890 | 43,30 1.705 | 19,23 0.757 | 7,00 0.276 |
| 32 | 43,10 1.697 | 45,00 1.772 | 110,00 4.331 | 1 7/8" x 16 UN | 66,00 2.598 | 54,00 2.126 | 51,70 2.035 | 23,98 0.944 | 7,00 0.276 |
| 36 | 45,90 1.807 | 50,00 1.969 | 110,00 4.331 | 2 1/16" x 16 UNS | 69,00 2.717 | 61,00 2.402 | 58,00 2.283 | 31,93 1.257 | 7,00 0.276 |
| 40 | 49,00 1.929 | 54,60 2.150 | 100,00 3.937 | 2 5/16" x 16 UN | 85,50 3.366 | 67,00 2.638 | 65,00 2.559 | 35,10 1.382 | 7,00 0.276 |

Locking 90° Outlet, Sealed Cable Clamp & Grommet

Accessory Type 'FC'

Style: ABBH - ** - ** - FC - F80



How to order:
ABBH - ** - ** - FC - F80
 Shell size _____
 Contact arrangement _____

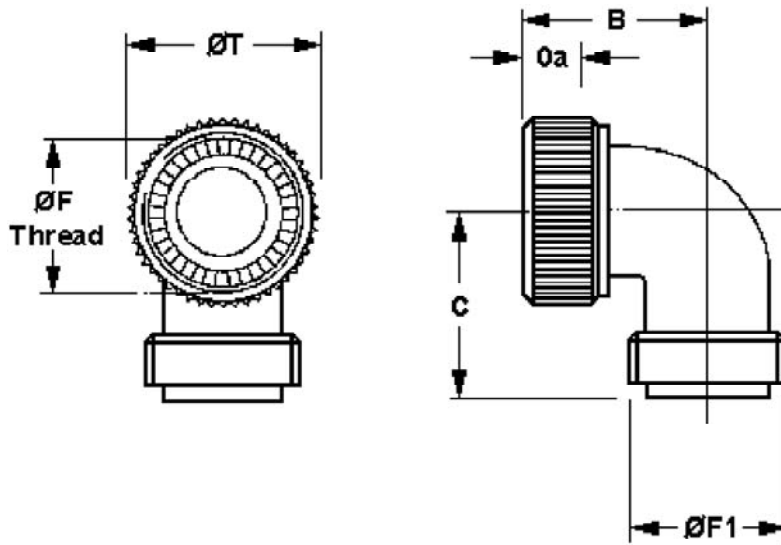
Metric
Imperial

| Shell Size | B Max | C Max | D Max | F Thread Dia. Class 2B | T Max | Oa Min Overlap Accessory |
|------------|-----------------------|-----------------------|------------------------|------------------------|-----------------------|--------------------------|
| 10SL | 24,00 0.945 | 23,80 0.937 | 61,00 2.402 | 5/8" x 24 UNEF | 22,00 0.866 | 7,00 0.276 |
| 14S | 25,00 0.984 | 26,97 1.062 | 61,00 2.402 | 3/4" x 20 UNEF | 25,00 0.984 | 7,00 0.276 |
| 16S | 27,00 1.063 | 30,18 1.188 | 61,00 2.402 | 7/8" x 20 UNEF | 28,00 1.102 | 7,00 0.276 |
| 16 | 27,00 1.063 | 30,18 1.188 | 61,00 2.402 | 7/8" x 20 UNEF | 28,00 1.102 | 7,00 0.276 |
| 18 | 30,10 1.224 | 33,32 1.312 | 68,00 2.677 | 1" x 20 UNEF | 31,00 1.220 | 7,00 0.276 |
| 20 | 33,00 1.299 | 39,67 1.562 | 68,00 2.677 | 1 1/8" x 18 UNEF | 35,00 1.378 | 7,00 0.276 |
| 22 | 33,10 1.303 | 39,67 1.562 | 68,00 2.677 | 1 1/4" x 18 UNEF | 38,00 1.496 | 7,00 0.276 |
| 24 | 37,90 1.492 | 44,45 1.750 | 76,00 2.992 | 1 3/8" x 18 UNEF | 41,00 1.614 | 7,00 0.276 |
| 28 | 37,10 1.461 | 44,45 1.750 | 76,00 2.992 | 1 5/8" x 18 UNEF | 48,00 1.890 | 7,00 0.276 |
| 32 | 43,10 1.697 | 57,15 2.250 | 87,00 3.425 | 1 7/8" x 16 UN | 54,00 2.126 | 7,00 0.276 |
| 36 | 45,90 1.807 | 60,33 2.375 | 98,00 3.858 | 2 1/16" x 16 UNS | 61,00 2.402 | 7,00 0.276 |
| 40 | 49,00 1.929 | 66,68 2.625 | 103,00 4.055 | 2 5/16" x 16 UN | 67,00 2.638 | 7,00 0.276 |

Locking 90° Outlet With Grommet

Accessory Type 'FT'

Style: ABBH - ** - ** - FT - F80



How to order:
ABBH - ** - ** - FT - F80
 Shell size _____
 Contact arrangement _____

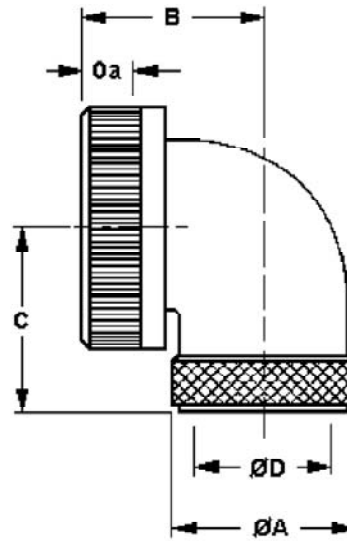
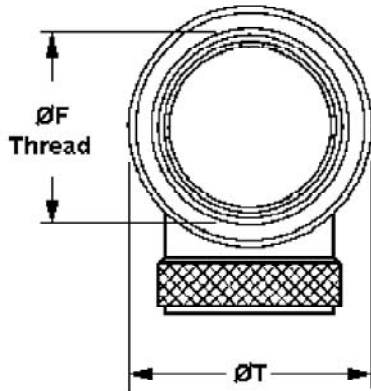
Metric
Imperial

| Shell Size | B Max | C Max | F Thread Dia. Class 2B | F1 Thread Dia. Class 2A | T Max | Oa Min Overlap Accessory |
|------------|-----------------------|-----------------------|------------------------|-------------------------|-----------------------|--------------------------|
| 10SL | 24,00 0.945 | 30,00 1.181 | 5/8" x 24 UNEF | 5/8" x 24 UNEF | 22,00 0.866 | 7,00 0.276 |
| 14S | 25,00 0.984 | 30,00 1.181 | 3/4" x 20 UNEF | 3/4" x 20 UNEF | 25,00 0.984 | 7,00 0.276 |
| 16S | 27,00 1.063 | 30,00 1.181 | 7/8" x 20 UNEF | 7/8" x 20 UNEF | 28,00 1.102 | 7,00 0.276 |
| 16 | 27,00 1.063 | 30,00 1.181 | 7/8" x 20 UNEF | 7/8" x 20 UNEF | 28,00 1.102 | 7,00 0.276 |
| 18 | 30,10 1.224 | 35,00 1.378 | 1" x 20 UNEF | 1" x 20 UNEF | 31,00 1.220 | 7,00 0.276 |
| 20 | 33,00 1.299 | 35,00 1.378 | 1 1/8" x 18 UNEF | 1 3/16" x 18 UNEF | 35,00 1.378 | 7,00 0.276 |
| 22 | 33,10 1.303 | 35,00 1.378 | 1 1/4" x 18 UNEF | 1 3/16" x 18 UNEF | 38,00 1.496 | 7,00 0.276 |
| 24 | 37,90 1.492 | 40,00 1.575 | 1 3/8" x 18 UNEF | 1 7/16" x 18 NEF | 41,00 1.614 | 7,00 0.276 |
| 28 | 37,10 1.461 | 40,00 1.575 | 1 5/8" x 18 UNEF | 1 7/16" x 18 NEF | 48,00 1.890 | 7,00 0.276 |
| 32 | 43,10 1.697 | 45,00 1.772 | 1 7/8" x 16 UN | 1 3/4" x 18 UNS | 54,00 2.126 | 7,00 0.276 |
| 36 | 45,90 1.807 | 50,00 1.969 | 2 1/16" x 16 UNS | 2" x 18 UNS | 61,00 2.402 | 7,00 0.276 |
| 40 | 49,00 1.929 | 54,60 2.150 | 2 5/16" x 16 UN | 2 1/4" x 16 UN | 67,00 2.638 | 7,00 0.276 |

Locking 90° Outlet RFI Shielded With Grommet

Accessory Type 'FM'

Style: ABBH - ** - ** - FM - F80



How to order:
ABBH - ** - ** - FM - F80
 Shell size _____
 Contact arrangement _____

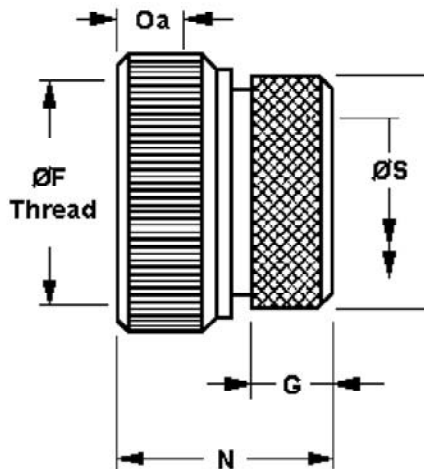
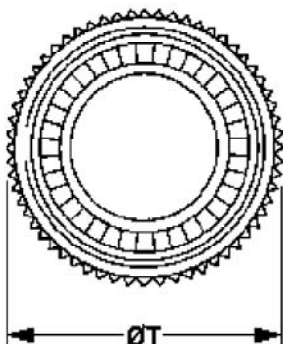
Metric
Imperial

| Shell Size | A Max | B Max | C Max | D Max | F Thread Dia. Class 2B | T Max | Oa Min Overlap Accessory |
|------------|-----------------------|-----------------------|-----------------------|-----------------------|------------------------|-----------------------|--------------------------|
| 10SL | 15,90 0.626 | 24,00 0.945 | 30,00 1.181 | 7,77 0.306 | 5/8" x 24 UNEF | 22,00 0.866 | 7,00 0.276 |
| 14S | 19,10 0.764 | 25,00 0.984 | 30,00 1.181 | 10,36 0.408 | 3/4" x 20 UNEF | 25,00 0.984 | 7,00 0.276 |
| 16S | 22,30 0.878 | 27,00 1.063 | 30,00 1.181 | 13,01 0.512 | 7/8" x 20 UNEF | 28,00 1.102 | 7,00 0.276 |
| 16 | 22,30 0.878 | 27,00 1.063 | 30,00 1.181 | 13,01 0.512 | 7/8" x 20 UNEF | 28,00 1.102 | 7,00 0.276 |
| 18 | 25,50 1.004 | 30,10 1.224 | 35,00 1.378 | 15,14 0.596 | 1" x 20 UNEF | 31,00 1.220 | 7,00 0.276 |
| 20 | 30,20 1.189 | 33,00 1.299 | 35,00 1.378 | 18,10 0.713 | 1 1/8" x 18 UNEF | 35,00 1.378 | 7,00 0.276 |
| 22 | 30,20 1.189 | 33,10 1.303 | 35,00 1.378 | 21,62 0.851 | 1 1/4" x 18 UNEF | 38,00 1.496 | 7,00 0.276 |
| 24 | 36,60 1.441 | 37,90 1.492 | 40,00 1.575 | 25,10 0.988 | 1 3/8" x 18 UNEF | 41,00 1.614 | 7,00 0.276 |
| 28 | 36,60 1.441 | 37,10 1.461 | 40,00 1.575 | 30,38 1.196 | 1 5/8" x 18 UNEF | 48,00 1.890 | 7,00 0.276 |
| 32 | 44,50 1.752 | 43,10 1.697 | 45,00 1.772 | 36,48 1.436 | 1 7/8" x 16 UN | 54,00 2.126 | 7,00 0.276 |
| 36 | 50,90 2.004 | 45,90 1.807 | 50,00 1.969 | 40,67 1.601 | 2 1/16" x 16 UNS | 61,00 2.402 | 7,00 0.276 |
| 40 | 57,20 2.252 | 49,00 1.929 | 54,60 2.150 | 48,50 1.909 | 2 5/16" x 16 UN | 67,00 2.638 | 7,00 0.276 |

Locking Heatshrink Adaptor With Grommet

Accessory Type 'G'

Style: ABBH - ** - ** - HSA - F80



How to order:

ABBH - ** - ** - HSA - F80

Shell size

Contact arrangement

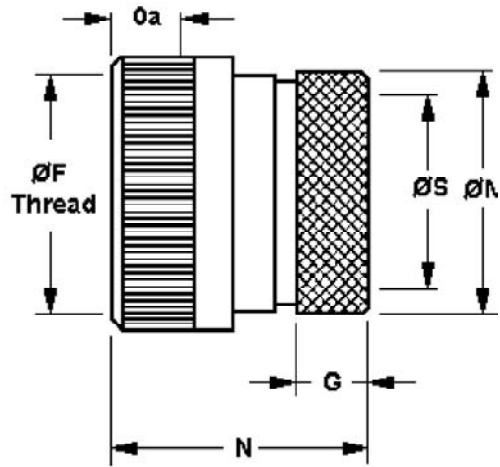
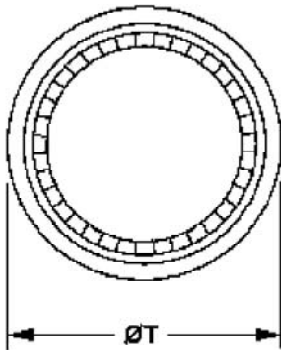
Metric
Imperial

| Shell Size | F Thread Dia. Class 2B | G Max | M Max | N Max | S Min | T Max | Oa Min Overlap Accessory |
|------------|------------------------|-----------------------|-----------------------|-----------------------|-----------------------|-----------------------|--------------------------|
| 10SL | 5/8" x 24 UNEF | 8,20 0.323 | 15,70 0.618 | 28.46 1.120 | 7,70 0.303 | 22,00 0.87 | 7,00 0.276 |
| 14S | 3/4" x 20 UNEF | 8,20 0.323 | 19,30 0.760 | 28.46 1.120 | 10.60 0.417 | 25,00 0.99 | 7,00 0.276 |
| 16S | 7/8" x 20 UNEF | 8,20 0.323 | 24,10 0.949 | 28.46 1.120 | 13,50 0.532 | 28,00 1.11 | 7,00 0.276 |
| 16 | 7/8" x 20 UNEF | 8,00 0.315 | 24,10 0.949 | 32.26 1.270 | 13,50 0.532 | 28,00 1.11 | 7,00 0.276 |
| 18 | 1" x 20 UNEF | 8,00 0.315 | 24,10 0.949 | 32.26 1.270 | 14,60 0.575 | 31,00 1.22 | 7,00 0.276 |
| 20 | 1 1/8" x 18 UNEF | 9,20 0.362 | 29,80 1.173 | 35.80 1.409 | 18,70 0.736 | 35,00 1.38 | 7,00 0.276 |
| 22 | 1 1/4" x 18 UNEF | 9,20 0.362 | 29,80 1.173 | 35.80 1.409 | 20,80 0.819 | 38,00 1.50 | 7,00 0.276 |
| 24 | 1 3/8" x 18 UNEF | 9,20 0.362 | 38,00 1.496 | 35.80 1.409 | 24,60 0.969 | 41,00 1.62 | 7,00 0.276 |
| 28 | 1 5/8" x 18 UNEF | 9,20 0.362 | 38,00 1.496 | 35.76 1.408 | 27,00 1.063 | 48,00 1.89 | 7,00 0.276 |
| 32 | 1 7/8" x 16 UN | 11,70 0.461 | 48,00 1.890 | 38.26 1.506 | 33,30 1.311 | 54,00 2.13 | 7,00 0.276 |
| 36 | 2 1/16" x 16 UNS | 11,70 0.461 | 48,00 1.890 | 39.26 1.546 | 38,50 1.516 | 61,00 2.40 | 7,00 0.276 |
| 40 | 2 5/16" x 16 UN | 12,10 0.476 | 57,95 2.281 | 38.30 1.508 | 48,10 1.894 | 67,00 2.638 | 7,00 0.276 |

Locking RFI Shielded Adaptor With Grommet

Accessory Type 'GM'

Style: ABBH - ** - ** - LHSA - F80



Metric
Imperial

How to order:

ABBH - ** - ** - LHSA - F80

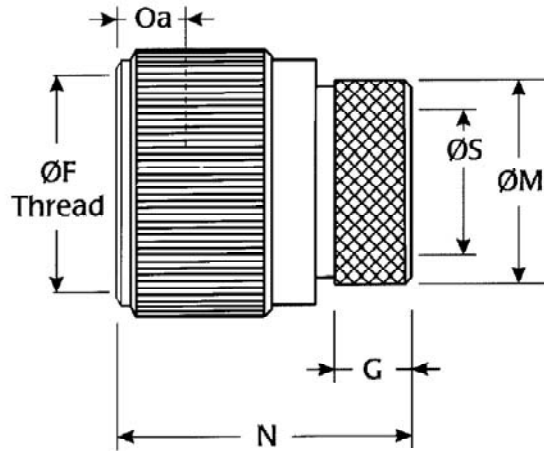
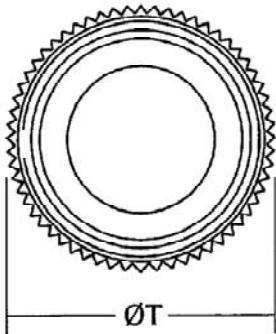
Shell size

Contact arrangement

| Shell Size | F Thread Dia. Class 2B | G Max | M Max | N Max | S Min | T Max | Oa Min Overlap Accessory |
|------------|------------------------|-----------------------|-----------------------|-----------------------|-----------------------|-----------------------|--------------------------|
| 10SL | 5/8" x 24 UNEF | 12,40 0.488 | 15,70 0.618 | 32,26 1.270 | 8,60 0.339 | 22,00 0.87 | 7,00 0.276 |
| 14S | 3/4" x 20 UNEF | 12,40 0.488 | 19,30 0.760 | 32,26 1.270 | 11,10 0.437 | 25,00 0.984 | 7,00 0.276 |
| 16S | 7/8" x 20 UNEF | 12,40 0.488 | 24,10 0.949 | 32,26 1.270 | 14,30 0.563 | 28,00 1.102 | 7,00 0.276 |
| 16 | 7/8" x 20 UNEF | 12,40 0.488 | 24,10 0.949 | 36,06 1.420 | 14,30 0.563 | 28,00 1.102 | 7,00 0.276 |
| 18 | 1" x 20 UNEF | 12,40 0.488 | 24,10 0.949 | 36,06 1.420 | 16,70 0.657 | 31,00 1.22 | 7,00 0.276 |
| 20 | 1 1/8" x 18 UNEF | 12,40 0.488 | 29,80 1.173 | 38,60 1.520 | 19,80 0.780 | 35,00 1.38 | 7,00 0.276 |
| 22 | 1 1/4" x 18 UNEF | 12,40 0.488 | 29,80 1.173 | 38,60 1.520 | 21,34 0.840 | 38,00 1.50 | 7,00 0.276 |
| 24 | 1 3/8" x 18 UNEF | 12,40 0.488 | 38,00 1.496 | 38,60 1.520 | 25,40 1.000 | 41,00 1.62 | 7,00 0.276 |
| 28 | 1 5/8" x 18 UNEF | 12,40 0.488 | 38,00 1.496 | 38,56 1.518 | 30,13 1.186 | 48,00 1.89 | 7,00 0.276 |
| 32 | 1 7/8" x 16 UN | 12,10 0.476 | 48,00 1.890 | 38,26 1.506 | 36,73 1.446 | 54,00 2.13 | 7,00 0.276 |
| 36 | 2 1/16" x 16 UNS | 12,10 0.476 | 48,00 1.890 | 39,26 1.546 | 41,00 1.614 | 61,00 2.40 | 7,00 0.276 |
| 40 | 2 5/16" x 16 UN | 12,10 0.476 | 57,95 2.281 | 38,30 1.508 | 48,10 1.894 | 67,00 2.638 | 7,00 0.276 |

Non-Locking Heatshrink Adaptor, Grommet & Follower Accessory Type 'GS'

Style: ABBH - ** - ** - HSAS - F80



How to order:

ABBH - ** - ** - HSAS - F80

Shell size

Contact arrangement

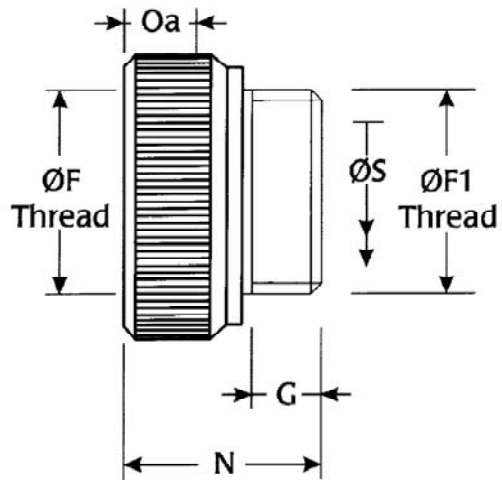
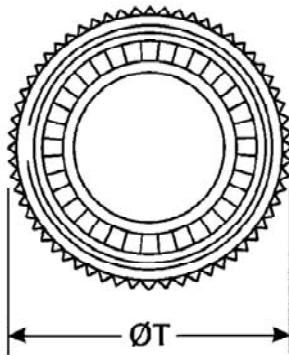
Metric
Imperial

| Shell Size | F Thread Dia. Class 2B | M Max | G Max | N Max | S Min | T Max | Oa Min Overlap Accessory |
|------------|------------------------|-----------------------|-----------------------|-----------------------|-----------------------|-----------------------|--------------------------|
| *10SL | - | - | - | - | - | - | - |
| *14S | - | - | - | - | - | - | - |
| *16S | - | - | - | - | - | - | - |
| *16 | - | - | - | - | - | - | - |
| 18 | 1" x 20 UNEF | 24,10 0.949 | 11,90 0.469 | 45,30 1.783 | 14,70 0.579 | 28,60 1.126 | 7,34 0.289 |
| 20 | 1 1/8" x 18 UNEF | 29,80 1.173 | 11,90 0.469 | 51,10 2.012 | 18,70 0.736 | 31,85 1.254 | 7,34 0.289 |
| 22 | 1 1/4" x 18 UNEF | 29,80 1.173 | 11,90 0.469 | 51,10 2.012 | 20,90 0.823 | 35,03 1.379 | 7,14 0.281 |
| 24 | 1 3/8" x 18 UNEF | 38,00 1.496 | 11,90 0.469 | 51,10 2.012 | 24,70 0.972 | 39,10 1.539 | 7,14 0.281 |
| 28 | 1 5/8" x 18 UNEF | 38,00 1.496 | 11,90 0.469 | 51,10 2.012 | 27,10 1.067 | 45,60 1.795 | 6,34 0.250 |
| 32 | 1 7/8" x 16 UN | 48,00 1.890 | 11,90 0.469 | 51,10 2.012 | 33,40 1.315 | 50,80 2.000 | 7,40 0.291 |
| 36 | 2 1/16" x 16 UNS | 48,00 1.890 | 11,90 0.469 | 51,10 2.012 | 38,60 1.520 | 57,45 2.262 | 7,40 0.291 |
| 40 | 2 5/16" x 16 UN | 57,95 2.281 | 11,90 0.469 | 51,10 2.012 | 48,10 1.894 | 63,10 2.484 | 7,40 0.291 |

*Please consult factory for availability.

Locking Armoured Conduit Adaptor With Grommet Accessory Type 'H'

Style: ABBH - ** - ** - ACA - F80



How to order:

ABBH - ** - ** - ACA - F80

Shell size

Contact arrangement

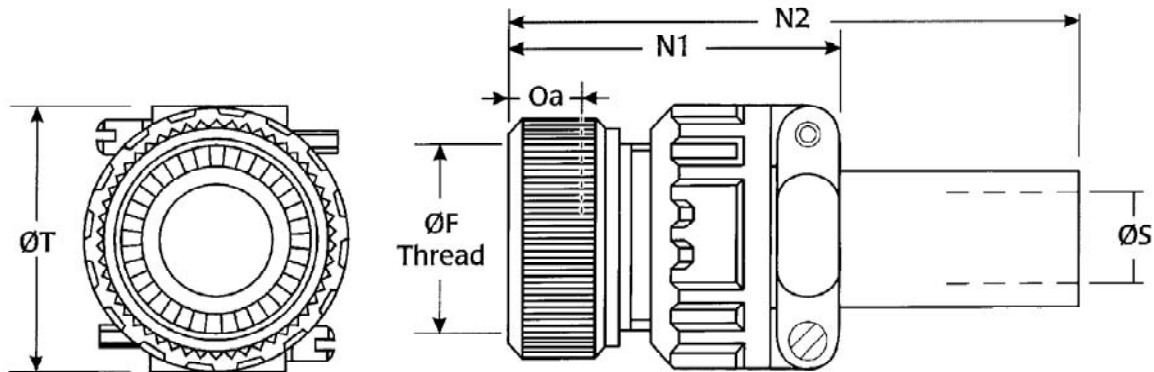
Metric
Imperial

| Shell Size | F Thread Dia. Class 2B | F1 Thread Dia. Class 2A | G Max | N Max | S Min | T Max | Oa Min Overlap Accessory |
|------------|------------------------|-------------------------|-----------------------|-----------------------|-----------------------|-----------------------|--------------------------|
| 10SL | 5/8" x 24 UNEF | 5/8" x 24 UNEF | 9,50 0.374 | 27,90 1.098 | 8,20 0.323 | 22,00 0.87 | 7,00 0.276 |
| 14S | 3/4" x 20 UNEF | 3/4" x 20 UNEF | 9,50 0.374 | 27,90 1.098 | 11,10 0.437 | 25,00 0.99 | 7,00 0.276 |
| 16S | 7/8" x 20 UNEF | 7/8" x 20 UNEF | 9,50 0.374 | 27,90 1.098 | 14,30 0.563 | 28,00 1.11 | 7,00 0.276 |
| 16 | 7/8" x 20 UNEF | 7/8" x 20 UNEF | 9,50 0.374 | 27,90 1.098 | 14,30 0.563 | 28,00 1.11 | 7,00 0.276 |
| 18 | 1" x 20 UNEF | 1" x 20 UNEF | 9,50 0.374 | 29,90 1.177 | 16,70 0.657 | 31,00 1.22 | 7,00 0.276 |
| 20 | 1 1/8" x 18 UNEF | 1 3/16" x 18 NEF | 9,50 0.374 | 29,90 1.177 | 19,80 0.780 | 35,00 1.38 | 7,00 0.276 |
| 22 | 1 1/4" x 18 UNEF | 1 3/16" x 18 NEF | 9,50 0.374 | 29,90 1.177 | 19,80 0.780 | 38,00 1.50 | 7,00 0.276 |
| 24 | 1 3/8" x 18 UNEF | 1 7/16" x 18 NEF | 9,50 0.374 | 29,90 1.177 | 25,40 1.000 | 41,00 1.62 | 7,00 0.276 |
| 28 | 1 5/8" x 18 UNEF | 1 7/16" x 18 NEF | 9,50 0.374 | 30,00 1.181 | 27,00 1.063 | 48,00 1.89 | 7,00 0.276 |
| 32 | 1 7/8" x 16 UN | 1 3/4" x 18 NS | 11,00 0.433 | 28,90 1.138 | 32,50 1.280 | 54,00 2.13 | 7,00 0.276 |
| 36 | 2 1/16" x 16 UNS | 2" x 18 NS | 11,80 0.464 | 28,90 1.138 | 35,70 1.406 | 61,00 2.40 | 7,00 0.276 |
| 40 | 2 5/16" x 16 UN | 2 1/4" x 16 UN | 11,80 0.464 | 28,90 1.138 | 45,00 1.772 | 67,00 2.638 | 7,00 0.276 |

Locking Cable Clamp With Grommet

Accessory Type 'HC'

Style: ABBH - ** - ** - HC - F80



How to order:

ABBH - ** - ** - HC - F80

Shell size _____

Contact arrangement _____

Note.

Clamp & bush are available separately. See pages 74 & 76 respectively.

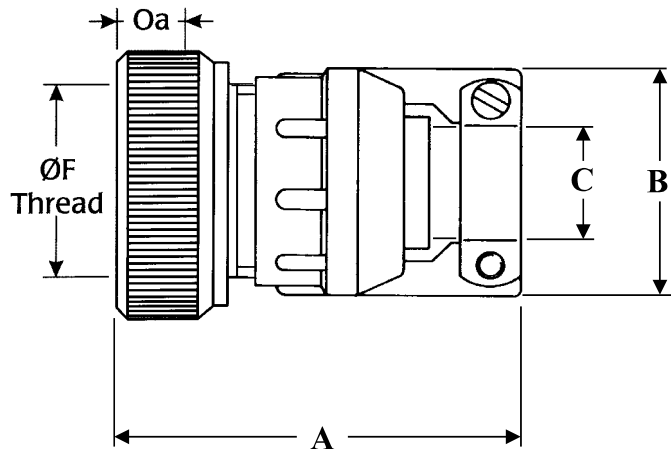
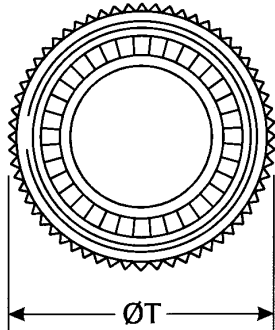
Metric
Imperial

| Shell Size | F Thread Dia. Class 2B | N1 Max | N2 Max | S | T Max | Oa Min Overlap Accessory |
|------------|------------------------|-----------------------|-----------------------|-----------------------|----------------------|--------------------------|
| 10SL | 5/8" x 24 UNEF | 40,10 1.58 | 100,10 3.94 | 5.59 0.220 | 22,70 0.90 | 7,00 0.276 |
| 14S | 3/4" x 20 UNEF | 41,70 1.65 | 96,70 3.81 | 7.92 0.312 | 27,50 1.09 | 7,00 0.276 |
| 16S | 7/8" x 20 UNEF | 43,50 1.72 | 98,50 3.88 | 11.10 0.437 | 30,00 1.19 | 7,00 0.276 |
| 16 | 7/8" x 20 UNEF | 43,50 1.72 | 93,50 3.68 | 11.10 0.437 | 30,00 1.19 | 7,00 0.276 |
| 18 | 1" x 20 UNEF | 50,00 1.97 | 95,00 3.74 | 14.27 0.562 | 33,00 1.30 | 7,00 0.276 |
| 20 | 1 1/8" x 18 UNEF | 45,50 1.80 | 90,50 3.57 | 15.88 0.625 | 37,50 1.48 | 7,00 0.276 |
| 22 | 1 1/4" x 18 UNEF | 45,50 1.80 | 90,50 3.57 | 15.88 0.625 | 37,50 1.48 | 7,00 0.276 |
| 24 | 1 3/8" x 18 UNEF | 47,50 1.87 | 77,50 3.05 | 19.05 0.750 | 43,30 1.71 | 7,00 0.276 |
| 28 | 1 5/8" x 18 UNEF | 47,60 1.88 | 77,60 3.06 | 19.05 0.750 | 43,30 1.71 | 7,00 0.276 |
| 32 | 1 7/8" x 16 UN | 46,50 1.83 | 76,50 3.02 | 23.80 0.937 | 51,70 2.04 | 7,00 0.276 |
| 36 | 2 1/16" x 16 UNS | 46,40 1.826 | 76,40 3.01 | 31.75 1.250 | 58,00 2.29 | 7,00 0.276 |
| 40 | 2 5/16" x 16 UN | 59,80 2.35 | 73,80 2.90 | 34.92 1.375 | 65,00 2.56 | 7,00 0.276 |

Locking Sealed Cable Clamp With Grommet

Accessory Type 'HD'

Style: ABBH - ** - ** - HD - F80



Metric
Imperial

How to order:

ABBH - ** - ** - HD - F80

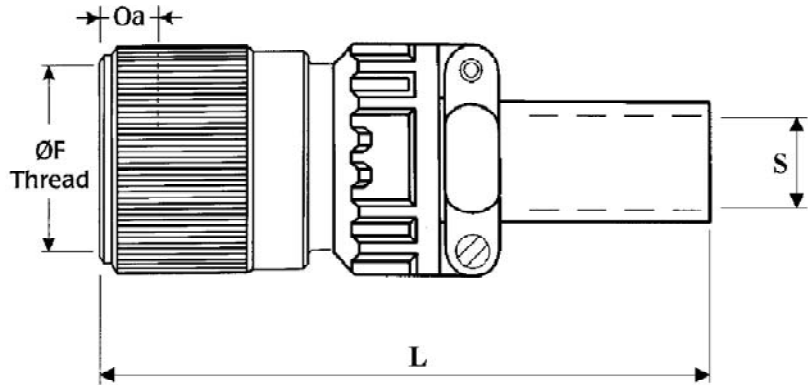
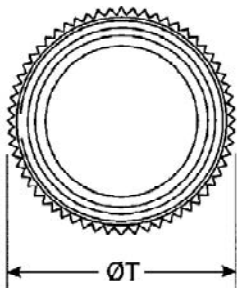
Shell size

Contact arrangement

| Shell Size | A Max | B | C | | F Thread Dia. Class 2B | T Max | Oa Min Overlap Accessory |
|------------|-----------------------|-----------------------|-----------------------|-----------------------|------------------------|-----------------------|--------------------------|
| | | | Max | Min | | | |
| 10SL | 58,87 2.318 | 23,80 0.937 | 7,93 0.312 | 2,38 0.094 | 5/8" x 24 UNEF | 22,00 0.866 | 7,00 0.276 |
| 14S | 58,87 2.318 | 26,97 1.062 | 11,12 0.438 | 6,35 0.250 | 3/4" x 20 UNEF | 25,00 0.984 | 7,00 0.276 |
| 16S | 58,87 2.318 | 30,18 1.188 | 13,48 0.531 | 7,92 0.312 | 7/8" x 20 UNEF | 28,00 0.984 | 7,00 0.276 |
| 16 | 58,87 2.318 | 30,18 1.188 | 13,48 0.531 | 7,92 0.312 | 7/8" x 20 UNEF | 28,00 0.984 | 7,00 0.276 |
| 18 | 62,44 2.458 | 33,32 1.312 | 15,87 0.625 | 9,53 0.375 | 1" x 20 UNEF | 31,00 1.220 | 7,00 0.276 |
| 20 | 62,44 2.458 | 39,21 1.562 | 19,00 0.748 | 12,70 0.500 | 1 1/8" x 18 UNEF | 35,00 1.378 | 7,00 0.276 |
| 22 | 62,44 2.458 | 39,21 1.562 | 19,00 0.748 | 12,70 0.500 | 1 1/4" x 18 UNEF | 38,00 1.496 | 7,00 0.276 |
| 24 | 65,61 2.583 | 44,45 1.750 | 23,80 0.937 | 15,09 0.594 | 1 3/8" x 18 UNEF | 41,00 1.614 | 7,00 0.276 |
| 28 | 65,71 2.587 | 44,45 1.750 | 23,80 0.937 | 15,09 0.594 | 1 5/8" x 18 UNEF | 48,00 1.890 | 7,00 0.276 |
| 32 | 70,96 2.794 | 57,15 2.250 | 31,75 1.250 | 23,83 0.938 | 1 7/8" x 16 UN | 54,00 2.126 | 7,00 0.276 |
| 36 | 77,31 3.044 | 60,33 2.375 | 35,00 1.378 | 24,61 0.969 | 2 1/16" x 16 UNS | 61,00 2.402 | 7,00 0.276 |
| 40 | 77,31 3.044 | 66,68 2.625 | 41,25 1.624 | 30,18 1.188 | 2 5/16" x 16 UN | 67,00 2.638 | 7,00 0.276 |

Non-Locking Cable Clamp With Grommet & Follower Accessory Type 'JE'

Style: ABBH - ** - ** - JE - F80



How to order:

ABBH - ** - ** - JE - F80

Shell size _____

Contact arrangement _____

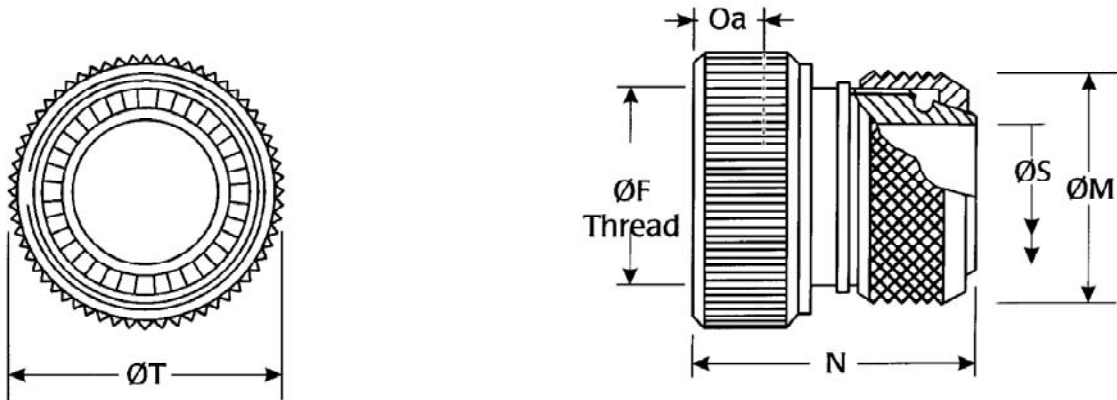
Metric
Imperial

| Shell Size | F Thread dia. Class 2B | L Max | S | T Max | Oa Min Overlap Accessory |
|------------|------------------------|-----------------------|-----------------------|-----------------------|--------------------------|
| 10SL | 5/8" x 24 UNEF | 99,13 3.903 | 5.59 0.220 | 19,10 0.752 | 7,00 0.276 |
| 14S | 3/4" x 20 UNEF | 95,96 3.778 | 7.92 0.312 | 22,10 0.870 | 7,00 0.276 |
| 16S | 7/8" x 20 UNEF | 92,78 6.653 | 11.10 0.437 | 25,50 1.004 | 7,00 0.276 |
| 16 | 7/8" x 20 UNEF | 94,28 3.712 | 11.10 0.437 | 25,50 1.004 | 7,00 0.276 |
| 18 | 1" x 20 UNEF | 97,51 3.839 | 14.27 0.562 | 28,60 1.126 | 7,34 0.289 |
| 20 | 1 1/8" x 18 UNEF | 94,33 3.714 | 15.88 0.625 | 31,85 1.254 | 7,34 0.289 |
| 22 | 1 1/4" x 18 UNEF | 94,33 3.714 | 15.88 0.625 | 35,03 1.379 | 7,34 0.289 |
| 24 | 1 3/8" x 18 UNEF | 94,01 3.701 | 19.05 0.750 | 39,10 1.539 | 7,14 0.281 |
| 28 | 1 5/8" x 18 UNEF | 94,01 3.701 | 19.05 0.750 | 45,60 1.795 | 6,34 0.250 |
| 32 | 1 7/8" x 16 UN | 90,83 3.576 | 23.80 0.937 | 50,80 2.000 | 7,40 0.291 |
| 36 | 2 1/16" x 16 UNS | 87,67 3.452 | 31.75 1.250 | 57,45 2.262 | 7,40 0.291 |
| 40 | 2 5/16" x 16 UN | 84,43 3.324 | 34.92 1.375 | 63,10 2.484 | 6,34 0.250 |

Locking Screened Cable Adaptor With Grommet

Accessory Type 'M'

Style: ABBH - ** - ** - SCA - F80

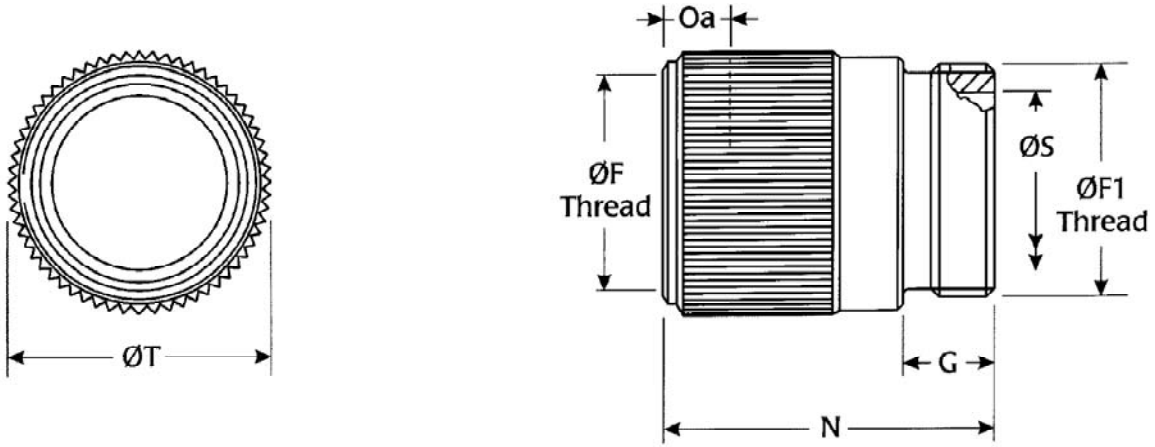


Metric
Imperial

How to order:
ABBH - ** - ** - SCA - F80
 Shell size _____
 Contact arrangement _____

| Shell Size | F Thread Dia. Class 2B | M Max | N Max | S Min | T Max | Oa Min Overlap Accessory |
|------------|------------------------|-----------------------|-----------------------|-----------------------|-----------------------|--------------------------|
| 10SL | 5/8" x 24 UNEF | 19,00 0.748 | 31,30 0.812 | 8,60 0.339 | 22,00 0.87 | 7,00 0.276 |
| 14S | 3/4" x 20 UNEF | 22,50 0.886 | 33,90 1.335 | 10,60 0.417 | 25,00 0.99 | 7,00 0.276 |
| 16S | 7/8" x 20 UNEF | 25,50 1.004 | 33,90 1.335 | 13,50 0.532 | 28,00 1.11 | 7,00 0.276 |
| 16 | 7/8" x 20 UNEF | 25,50 1.004 | 33,90 1.335 | 13,50 0.532 | 28,00 1.11 | 7,00 0.276 |
| 18 | 1" x 20 UNEF | 25,50 1.004 | 36,90 1.453 | 14,60 0.575 | 31,00 1.22 | 7,00 0.276 |
| 20 | 1 1/8" x 18 UNEF | 32,50 1.280 | 36,90 1.453 | 18,50 0.728 | 35,00 1.38 | 7,00 0.276 |
| 22 | 1 1/4" x 18 UNEF | 34,50 1.358 | 36,90 1.453 | 20,80 0.819 | 38,00 1.50 | 7,00 0.276 |
| 24 | 1 3/8" x 18 UNEF | 38,50 1.516 | 36,90 1.453 | 24,60 0.969 | 41,00 1.62 | 7,00 0.276 |
| 28 | 1 5/8" x 18 UNEF | 41,50 1.634 | 35,90 1.413 | 27,00 1.063 | 48,00 1.89 | 7,00 0.276 |
| 32 | 1 7/8" x 16 UN | 48,50 1.910 | 35,90 1.413 | 33,30 1.311 | 54,00 2.13 | 7,00 0.276 |
| 36 | 2 1/16" x 16 UNS | 55,50 2.185 | 35,90 1.413 | 38,50 1.516 | 61,00 2.40 | 7,00 0.276 |
| 40 | 2 5/16" x 16 UN | 62,50 2.461 | 35,90 1.413 | 45,00 1.772 | 67,00 2.638 | 7,00 0.276 |

Non-Locking Conduit Adaptor, Grommet & Follower Accessory Type 'R' Style: ABBH - ** - ** - CCA - F80



How to order:

ABBH - ** - ** - CCA - F80

Shell size _____

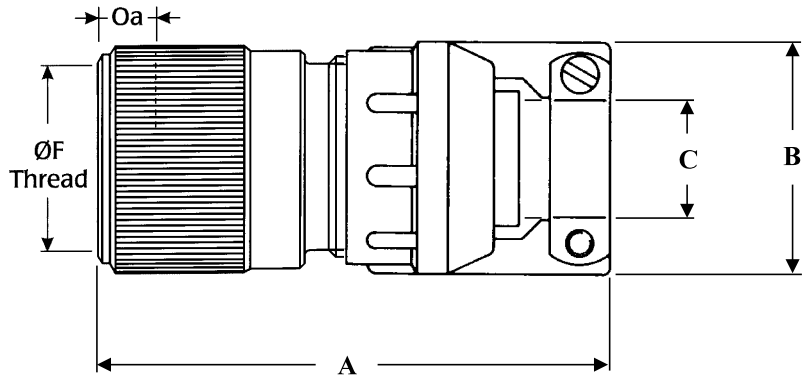
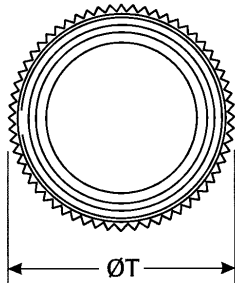
Contact arrangement _____

Metric
Imperial

| Shell Size | F Thread Dia. Class 2B | F1 Thread Dia. Class 2A | G Max | N Max | S Min | T Max | Oa Min Overlap Accessory |
|------------|------------------------|-------------------------|-----------------------|-----------------------|-----------------------|-----------------------|--------------------------|
| 10SL | 5/8" x 24 UNEF | 5/8" x 24 UNEF | 10,10 0.398 | 29,10 1.146 | 8,80 0.346 | 19,10 0.752 | 7,00 0.276 |
| 14S | 3/4" x 20 UNEF | 3/4" x 20 UNEF | 10,10 0.398 | 29,10 1.146 | 11,30 0.445 | 22,10 0.870 | 7,00 0.276 |
| 16S | 7/8" x 20 UNEF | 7/8" x 20 UNEF | 10,10 0.398 | 29,10 1.146 | 18,54 0.730 | 25,50 1.004 | 7,00 0.276 |
| 16 | 7/8" x 20 UNEF | 7/8" x 20 UNEF | 10,10 0.398 | 30,60 1.205 | 18,54 0.730 | 25,50 1.004 | 7,00 0.276 |
| 18 | 1" x 20 UNEF | 1" x 20 UNEF | 10,10 0.398 | 37,00 1.457 | 16,70 0.657 | 28,60 1.126 | 7,34 0.289 |
| 20 | 1 1/8" x 18 UNEF | 1 3/16" x 18 UNEF | 10,10 0.398 | 37,00 1.457 | 19,80 0.780 | 31,85 1.254 | 7,34 0.289 |
| 22 | 1 1/4" x 18 UNEF | 1 3/16" x 18 UNEF | 10,10 0.398 | 37,00 1.457 | 19,80 0.780 | 35,03 1.379 | 7,34 0.289 |
| 24 | 1 3/8" x 18 UNEF | 1 7/16" x 18 UNEF | 11,10 0.437 | 39,85 1.569 | 25,40 1.000 | 39,10 1.539 | 7,14 0.281 |
| 28 | 1 5/8" x 18 UNEF | 1 7/16" x 18 UNEF | 11,10 0.437 | 39,85 1.569 | 30,13 1.186 | 45,60 1.795 | 6,34 0.250 |
| 32 | 1 7/8" x 16 UN | 1 3/4" x 18 UNS | 11,10 0.437 | 39,85 1.569 | 32,50 1.280 | 50,80 2.000 | 7,40 0.291 |
| 36 | 2 1/16" x 16 UNS | 2" x 18 UNS | 11,10 0.437 | 39,85 1.569 | 35,70 1.406 | 57,45 2.262 | 7,40 0.291 |
| 40 | 2 5/16" x 16 UN | 2 1/4" x 16 UN | 11,10 0.437 | 39,85 1.569 | 45,00 1.772 | 63,10 2.484 | 6,34 0.250 |

Non-Locking Sealed Cable Clamp, Grommet & Follower Accessory Type 'RC'

Style: ABBH -** - ** - RC - F80

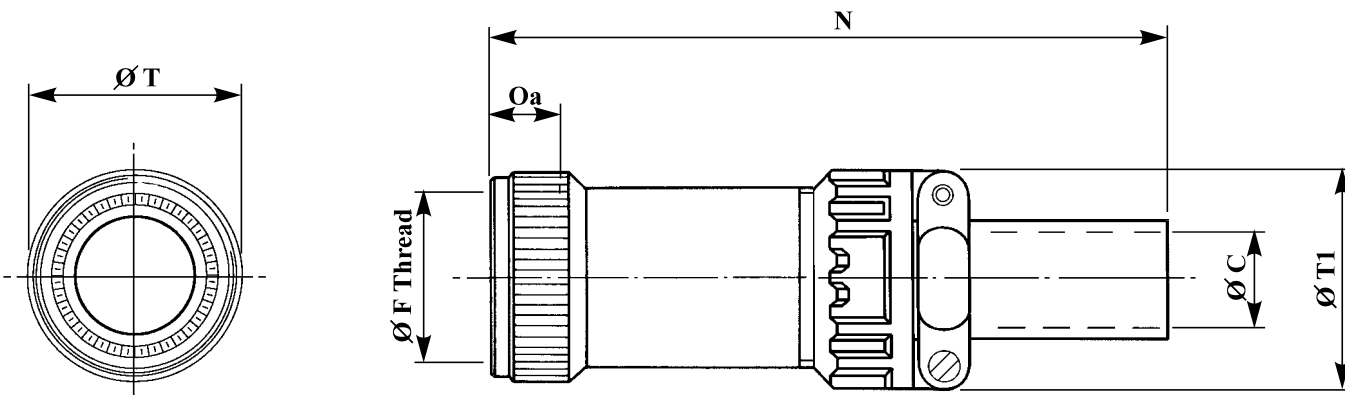


Metric
Imperial

How to order:
ABBH - ** - ** - RC - F80
 Shell size _____
 Contact arrangement _____

| Shell Size | A Max | B | C | | F Thread Dia. Class 2B | T Max | Oa Min Overlap Accessory |
|------------|-----------------------|-----------------------|-----------------------|-----------------------|------------------------|-----------------------|--------------------------|
| | | | Max | Min | | | |
| 10SL | 59,10 2.327 | 23,80 0.937 | 7,93 0.312 | 2,38 0.094 | 5/8" x 24 UNEF | 19,10 0.752 | 7,00 0.276 |
| 14S | 59,10 2.327 | 26,97 1.062 | 11,12 0.438 | 6,35 0.250 | 3/4" x 20 UNEF | 22,10 0.870 | 7,00 0.276 |
| 16S | 59,10 2.327 | 30,18 1.188 | 13,48 0.531 | 7,92 0.312 | 7/8" x 20 UNEF | 25,50 1.004 | 7,00 0.276 |
| 16 | 60,60 2.386 | 30,18 1.188 | 13,48 0.531 | 7,92 0.312 | 7/8" x 20 UNEF | 25,50 1.004 | 7,00 0.276 |
| 18 | 70,00 2.756 | 33,32 1.312 | 15,87 0.625 | 9,53 0.375 | 1" x 20 UNEF | 28,60 1.126 | 7,34 0.289 |
| 20 | 70,00 2.756 | 39,21 1.562 | 19,00 0.748 | 12,70 0.500 | 1 1/8" x 18 UNEF | 31,85 1.254 | 7,34 0.289 |
| 22 | 70,00 2.756 | 39,21 1.562 | 19,00 0.748 | 12,70 0.500 | 1 1/4" x 18 UNEF | 35,03 1.379 | 7,34 0.289 |
| 24 | 75,85 2.986 | 44,45 1.750 | 23,80 0.937 | 15,09 0.594 | 1 3/8" x 18 UNEF | 39,10 1.539 | 7,14 0.281 |
| 28 | 75,85 2.986 | 44,45 1.750 | 23,80 0.937 | 15,09 0.594 | 1 5/8" x 18 UNEF | 45,60 1.795 | 6,34 0.250 |
| 32 | 81,85 3.222 | 57,15 2.250 | 31,75 1.250 | 23,83 0.938 | 1 7/8" x 16 UN | 50,80 2.000 | 7,40 0.291 |
| 36 | 88,85 3.498 | 60,33 2.375 | 35,00 1.378 | 24,61 0.969 | 2 1/16" x 16 UNS | 57,45 2.262 | 7,40 0.291 |
| 40 | 88,85 3.498 | 66,68 2.625 | 41,25 1.624 | 30,18 1.188 | 2 5/16" x 16 UN | 63,10 2.484 | 6,34 0.250 |

Long Backshell, Grommet, Cable Clamp & Bushing Accessory Type 'XLA' Style: ABBH - ** - ** - XLA - F80



How to order:
ABBH - ** - ** - XLA - F80
 Shell size _____
 Contact arrangement _____

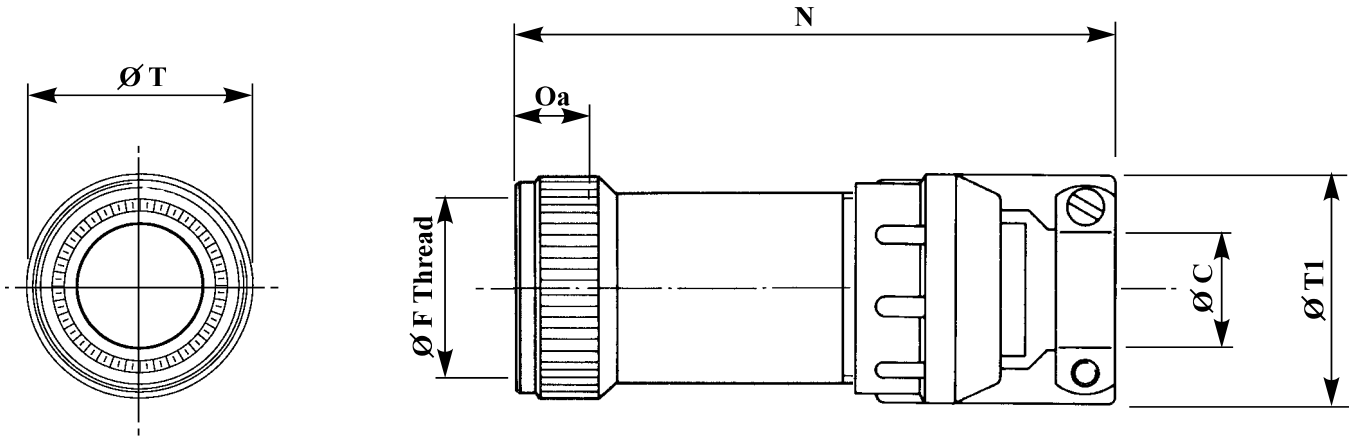
Metric
Imperial

| Shell Size | C | F Thread Dia. Class 2B | N | T Max | T1 Max | Oa Min Overlap Accessory |
|------------|-----------------------|----------------------------|------------------------|-----------------------|-----------------------|--------------------------|
| 10SL | 5,59 0.220 | $\frac{5}{8}$ " x 24 UNEF | 118,35 4.659 | 22,00 0.866 | 22,70 0.894 | 7,00 0.276 |
| 14S | 7,92 0.312 | $\frac{3}{4}$ " x 20 UNEF | 115,18 4.535 | 25,00 0.984 | 27,50 1.083 | 7,00 0.276 |
| 16S | 11,10 0.437 | $\frac{7}{8}$ " x 20 UNEF | 112,00 4.409 | 28,00 1.102 | 30,00 1.181 | 7,00 0.276 |
| 16 | 11,10 0.437 | $\frac{7}{8}$ " x 20 UNEF | 122,30 4.815 | 28,00 1.102 | 30,00 1.181 | 7,00 0.276 |
| 18 | 14,27 0.562 | 1" x 20 UNEF | 119,13 4.690 | 31,00 1.220 | 33,00 1.299 | 7,00 0.276 |
| 20 | 15,88 0.625 | $1\frac{1}{8}$ " x 18 UNEF | 115,95 4.565 | 35,00 1.378 | 37,50 1.476 | 7,00 0.276 |
| 22 | 15,88 0.625 | $1\frac{1}{4}$ " x 18 UNEF | 115,95 4.565 | 38,00 1.496 | 37,50 1.476 | 7,00 0.276 |
| 24 | 19,05 0.750 | $1\frac{3}{8}$ " x 18 UNEF | 112,78 4.440 | 41,00 1.614 | 43,30 1.704 | 7,00 0.276 |
| 28 | 19,05 0.750 | $1\frac{5}{8}$ " x 18 UNEF | 119,78 4.716 | 48,00 1.889 | 43,30 1.704 | 7,00 0.276 |
| 32 | 23,80 0.937 | $1\frac{7}{8}$ " x 16 UN | 116,60 4.591 | 54,00 2.126 | 51,70 2.035 | 7,00 0.276 |
| 36 | 31,75 1.250 | $2\frac{1}{16}$ " x 16 UNS | 113,43 4.466 | 61,00 2.402 | 58,00 2.283 | 7,00 0.276 |
| 40 | 34,92 1.375 | $2\frac{5}{16}$ " x 16 UN | 110,20 4.338 | 67,00 2.638 | 65,00 2.559 | 7,00 0.276 |

Long Backshell, Grommet & Sealed Cable Clamp

Accessory Type 'XLC'

Style: ABBH - ** - ** - XLC - F80



How to order:

ABBH - ** - ** - XLC - F80

Shell size

Contact arrangement

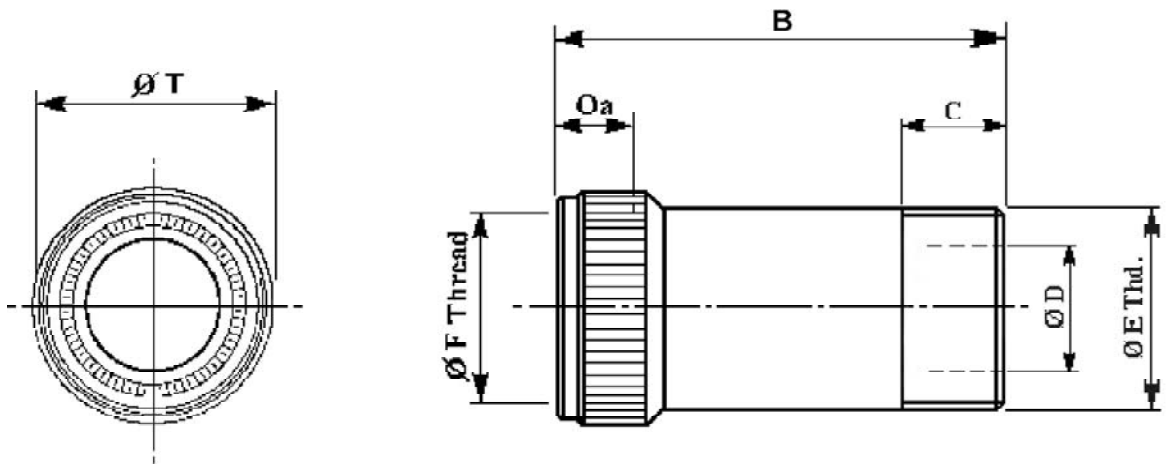
Metric
Imperial

| Shell Size | C | | F Thread Dia. Class 2B | N | T Max | T1 Max | Oa Min Overlap Accessory |
|------------|-----------------------|-----------------------|------------------------------|------------------------|-----------------------|-----------------------|--------------------------------|
| | Max | Min | | | | | |
| 10SL | 7,93 0.312 | 2,38 0.094 | 5/8" x 24 UNEF | 79,47 3.129 | 22,00 0.866 | 23,80 0.937 | 7,00 0.276 |
| 14S | 11,12 0.438 | 6,35 0.250 | 3/4" x 20 UNEF | 79,47 3.129 | 25,00 0.984 | 26,97 1.062 | 7,00 0.276 |
| 16S | 13,48 0.531 | 7,92 0.312 | 7/8" x 20 UNEF | 79,47 3.129 | 28,00 1.102 | 30,18 1.188 | 7,00 0.276 |
| 16 | 13,48 0.531 | 7,92 0.312 | 7/8" x 20 UNEF | 91,33 3.596 | 28,00 1.102 | 30,18 1.188 | 7,00 0.276 |
| 18 | 15,87 0.625 | 9,53 0.375 | 1" x 20 UNEF | 91,33 3.596 | 31,00 1.220 | 33,32 1.312 | 7,00 0.276 |
| 20 | 19,00 0.748 | 12,70 0.500 | 1 1/8" x 18 UNEF | 91,33 3.596 | 35,00 1.378 | 39,67 1.562 | 7,00 0.276 |
| 22 | 19,00 0.748 | 12,70 0.500 | 1 1/4" x 18 UNEF | 91,33 3.596 | 38,00 1.496 | 39,67 1.562 | 7,00 0.276 |
| 24 | 23,80 0.937 | 15,09 0.594 | 1 3/8" x 18 UNEF | 94,51 3.721 | 41,00 1.614 | 44,45 1.750 | 7,00 0.276 |
| 28 | 23,80 0.937 | 15,09 0.594 | 1 5/8" x 18 UNEF | 101,51 3.996 | 48,00 1.889 | 44,45 1.750 | 7,00 0.276 |
| 32 | 31,75 1.250 | 23,83 0.938 | 1 7/8" x 16 UN | 107,86 4.246 | 54,00 2.126 | 57,15 2.250 | 7,00 0.276 |
| 36 | 35,00 1.378 | 24,61 0.969 | 2 1/16" x 16 UNS | 114,21 4.496 | 61,00 2.402 | 60,33 2.375 | 7,00 0.276 |
| 40 | 41,25 1.624 | 30,18 1.188 | 2 5/16" x 16 UN | 114,21 4.496 | 67,00 2.638 | 66,68 2.625 | 7,00 0.276 |

Long Back With Grommet

Accessory Type 'SHE'

Style: ABBH - ** - ** - SHE - F80



How to order:

ABBH - ** - ** - SHE - F80

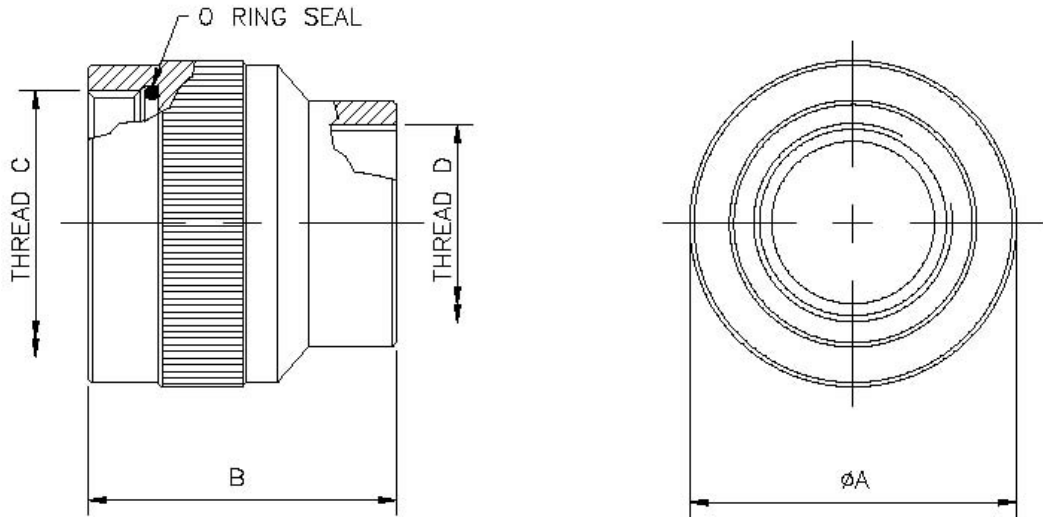
Shell size _____

Contact arrangement _____

Metric
Imperial

| Shell Size | Ø T (Max.) | B | C ± 0.10 | Ø D + 0 / - 0.10 | Ø E Thd. | Ø F Thd. | Oa (Min) |
|------------|---------------|---------------|---------------|------------------|----------------------|------------------|--------------|
| 10SL | 22,0 0.866 | 48,5 1.909 | 15,0 0.591 | 8,5 0.335 | 5/8" x 24 UNEF | 5/8" x 24 UNEF | 7,0 0.276 |
| 14S | 25,0 0.984 | 48,5 1.909 | 15,0 0.591 | 11,7 0.461 | 3/4" x 20 UNEF | 3/4" x 20 UNEF | 7,0 0.276 |
| 16S | 28,0 1.102 | 48,5 1.909 | 15,0 0.591 | 13,9 0.547 | 7/8" x 20 UNEF | 7/8" x 20 UNEF | 7,0 0.276 |
| 16 | 28,0 1.103 | 58,8 2.303 | 15,0 0.591 | 13,9 0.547 | 7/8" x 20 UNEF | 7/8" x 20 UNEF | 7,0 0.276 |
| 18 | 31,0 1.220 | 58,8 2.303 | 15,0 0.591 | 16,9 0.666 | 1" x 20 UNEF | 1" x 20 UNEF | 7,0 0.276 |
| 20 | 35,0 1.378 | 58,8 2.303 | 15,0 0.591 | 20,9 0.823 | 1 3/16" x 18 UNEF | 1 1/8" x 18 UNEF | 7,0 0.276 |
| 22 | 38,0 1.496 | 58,8 2.303 | 15,0 0.591 | 20,9 0.823 | 1 3/16" x 18 UNEF | 1 1/4" x 18 UNEF | 7,0 0.276 |
| 24 | 41,0 1.614 | 58,8 2.303 | 15,0 0.591 | 25,9 1.020 | 1 7/16" x 18 UNEF | 1 3/8" x 18 UNEF | 7,0 0.276 |
| 28 | 48,0 1.890 | 65,8 2.303 | 15,0 0.591 | 25,9 1.020 | 1 7/16" x 18 UNEF | 1 5/8" x 18 UNEF | 7,0 0.276 |
| 32 | 54,0 2.126 | 65,8 2.303 | 15,0 0.591 | 32,0 1.260 | 1 3/4" x 18 UNS | 1 7/8" x 16 UN | 7,0 0.276 |
| 36 | 61,0 2.402 | 65,8 2.303 | 15,0 0.591 | 36,9 1.453 | 2" x 18 UNS | 2 1/16" x 16 UNS | 7,0 0.276 |
| 40 | 67,0 2.638 | 65,8 2.303 | 15,0 0.591 | 44,9 1.768 | 2 1/4" x 16 UN | 2 5/16" x 16 UN | 7,0 0.276 |

PG Threaded Adaptors (DIN 40430)



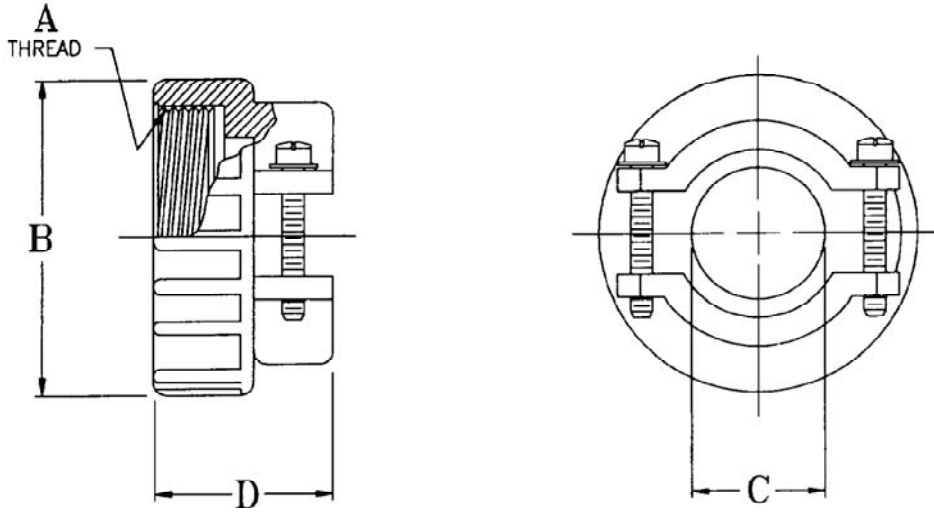
Metric
Imperial

Note. PG threaded adaptors are used in conjunction with straight and 90° backshell styles ACA, CCA, XL & FT.
For other sizes, please contact the Sales Office.

| Part Number | Shell Size | Ø A | B | Thread C | Thread D |
|----------------|------------|----------------------|----------------------|-------------------|----------|
| ABB-10SL-PGA-P | 10SL | 20,0 0.787 | 35,0 1.378 | 5/8" x 24 UNEF | PG 9 |
| ABB-14S-PGA-B | 14S - 14 | 23,5 0.925 | 35,0 1.378 | 3/4" x 20 UNEF | PG 9 |
| ABB-16S-PGA-E | 16S - 16 | 28,0 1.102 | 35,0 1.378 | 7/8" x 20 UNEF | PG 16 |
| ABB-16S-PGA-F | 16S - 16 | 34,0 1.339 | 40,0 1.575 | 7/8" x 20 UNEF | PG 21 |
| ABB-18-PGA-F | 18 | 34,0 1.339 | 40,0 1.575 | 1" x 20 UNEF | PG 21 |
| ABB-20-PGA-E | 20 - 22 | 37,0 1.457 | 35,0 1.378 | 1 3/16" x 18 UNEF | PG 16 |
| ABB-20-PGA-G | 20 - 22 | 43,0 1.693 | 40,0 1.575 | 1 3/16" x 18 UNEF | PG 29 |
| ABB-24-PGA-F | 24 - 28 | 43,0 1.693 | 40,0 1.575 | 1 7/16" x 18 UNEF | PG 21 |
| ABB-24-PGA-G | 24 - 28 | 43,0 1.693 | 40,0 1.575 | 1 7/16" x 18 UNEF | PG 29 |
| ABB-24-PGA-H | 24 - 28 | 54,0 2.126 | 46,0 1.811 | 1 7/16" x 18 UNEF | PG 36 |
| ABB-32-PGA-H | 32 | 54,0 2.126 | 38,0 1.496 | 1 3/4" x 18 UNS | PG 36 |
| ABB-36-PGA-H | 36 | 57,2 2.252 | 50,0 1.969 | 2" x 18 UNS | PG 36 |
| ABB-40-PGA-J | 40 | 65,0 2.559 | 51,0 2.008 | 2 1/4" x 16 UN | PG 42 |

Cable Clamp

Style: MS 3057A

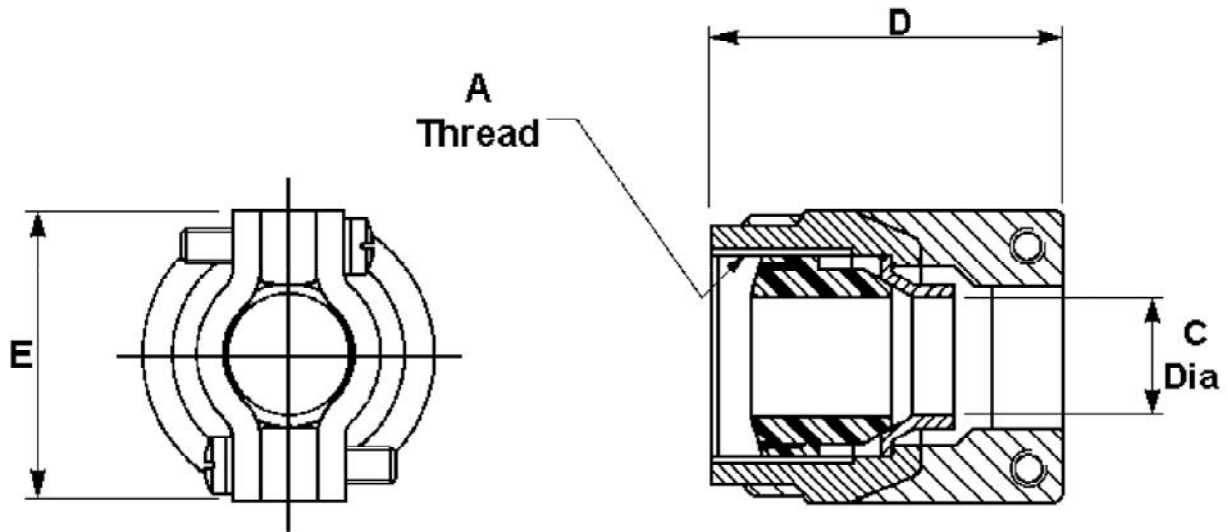


Metric
Imperial

| Shell Size | MS3057 Reference | AB Connectors Part Number | A Thread Dia. Class 2A | B Max | C Max | D Max |
|------------|------------------|---------------------------|-----------------------------|-----------------------|-----------------------|-----------------------|
| 10SL | -4A | CMSP3057A10SL | $\frac{5}{8}$ " x 24 UNEF | 21,41 0.843 | 7,95 0.313 | 21,41 0.843 |
| 14S | -6A | CMSP3057A14S | $\frac{3}{4}$ " x 20 UNEF | 25,40 1.000 | 11,13 0.438 | 23,01 0.906 |
| 16S | -8A | CMSP3057A16S | $\frac{7}{8}$ " x 20 UNEF | 28,58 1.125 | 14,30 0.563 | 24,61 0.969 |
| 16 | -8A | CMSP3057A16 | $\frac{7}{8}$ " x 20 UNEF | 28,58 1.125 | 14,30 0.563 | 24,61 0.969 |
| 18 | -10A | CMSP3057A18 | 1" x 20 UNEF | 30,96 1.219 | 15,88 0.625 | 24,61 0.969 |
| 20 | -12A | CMSP3057A20 | $1\frac{3}{16}$ " x 18 UNEF | 35,71 1.406 | 19,05 0.750 | 24,61 0.969 |
| 22 | -12A | CMSP3057A22 | $1\frac{3}{16}$ " x 18 UNEF | 35,71 1.406 | 19,05 0.750 | 24,61 0.969 |
| 24 | -16A | CMSP3057A24 | $1\frac{7}{16}$ " x 18 UNEF | 42,85 1.687 | 23,83 0.938 | 26,97 1.062 |
| 28 | -16A | CMSP3057A28 | $1\frac{7}{16}$ " x 18 UNEF | 42,85 1.687 | 23,83 0.938 | 26,97 1.062 |
| 32 | -20A | CMSP3057A32 | $1\frac{3}{4}$ " x 18 UNS | 52,37 2.062 | 31,75 1.250 | 28,58 1.125 |
| 36 | -24A | CMSP3057A36 | 2" x 18 UNS | 57,15 2.250 | 34,93 1.375 | 30,15 1.187 |
| 40 | -28A | CMSP3057A40 | $2\frac{1}{4}$ " x 16 UN | 64,29 2.531 | 41,28 1.625 | 43,66 1.719 |

Sealed Cable Clamp For Jacketed Cable

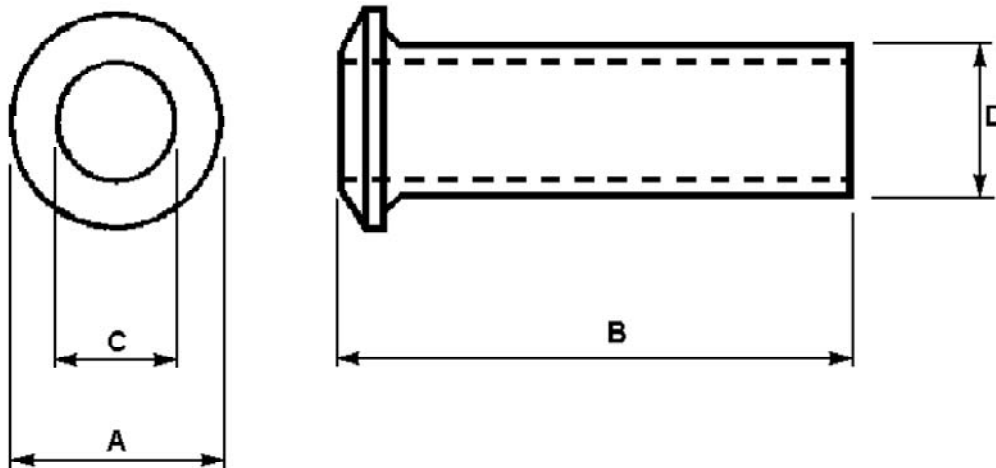
Style: MS 3057C



Metric
Imperial

| Shell Size | MS3057 Reference | AB Connectors Part Number | A Thread Dia. Class 2A | C Dia. | | D Max | E Max |
|------------|------------------|---------------------------|-----------------------------|-----------------------|-----------------------|-----------------------|-----------------------|
| | | | | Max | Min | | |
| 10SL | -4C | CMSP3057C10SL | $\frac{5}{8}$ " x 24 UNEF | 7,93 0.312 | 2,38 0.094 | 34,93 1.375 | 23,80 0.937 |
| 14S | -6C | CMSP3057C14S | $\frac{3}{4}$ " x 20 UNEF | 11,12 0.438 | 6,35 0.250 | 34,93 1.375 | 26,97 1.062 |
| 16S | -8C | CMSP3057C16S | $\frac{7}{8}$ " x 20 UNEF | 13,48 0.531 | 7,92 0.312 | 34,93 1.375 | 30,18 1.188 |
| 16 | -8C | CMSP3057C16 | $\frac{7}{8}$ " x 20 UNEF | 13,48 0.531 | 7,92 0.312 | 34,93 1.375 | 30,18 1.188 |
| 18 | -10C | CMSP3057C18 | 1" x 20 UNEF | 15,87 0.625 | 9,53 0.375 | 36,50 1.437 | 33,32 1.312 |
| 20 | -12C | CMSP3057C20 | $1\frac{3}{16}$ " x 18 UNEF | 19,00 0.748 | 12,70 0.500 | 36,50 1.437 | 39,21 1.562 |
| 22 | -12C | CMSP3057C22 | $1\frac{3}{16}$ " x 18 UNEF | 19,00 0.748 | 12,70 0.500 | 36,50 1.437 | 39,21 1.562 |
| 24 | -16C | CMSP3057C24 | $1\frac{7}{16}$ " x 18 UNEF | 23,80 0.937 | 15,09 0.594 | 39,67 1.562 | 44,45 1.750 |
| 28 | -16C | CMSP3057C28 | $1\frac{7}{16}$ " x 18 UNEF | 23,80 0.937 | 15,09 0.594 | 39,67 1.562 | 44,45 1.750 |
| 32 | -20C | CMSP3057C32 | $1\frac{3}{4}$ " x 18 UNS | 31,75 1.250 | 23,83 0.938 | 46,02 1.812 | 57,15 2.250 |
| 36 | -24C | CMSP3057C36 | 2" x 18 UNS | 35,00 1.378 | 24,61 0.969 | 52,37 2.062 | 60,33 2.375 |
| 40 | -28C | CMSP3057C40 | $2\frac{1}{4}$ " x 16 UN | 41,25 1.624 | 30,18 1.188 | 52,37 2.062 | 66,68 2.625 |

Telescopic Bushing



Note

The bushings can fit inside one another to reduce the cable entry diameter and improving clamping and sealing.

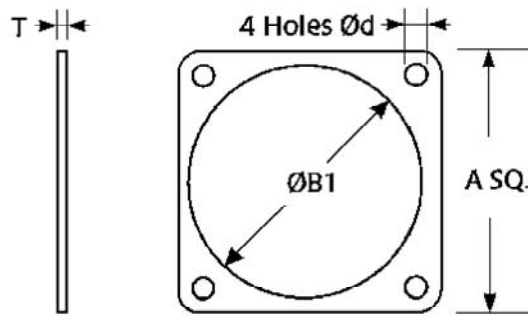
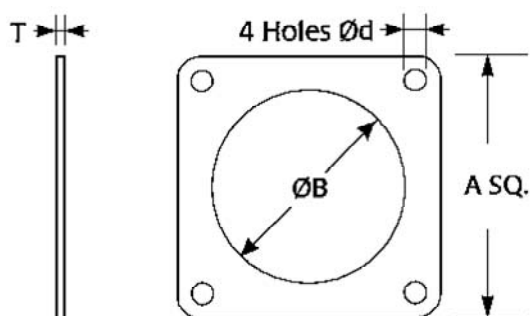
Metric
Imperial

| Shell Size | Part Number | A | B | C | D |
|------------|-------------|-----------------------|-----------------------|-----------------------|-----------------------|
| 10SL | SBMSH5541 | 12,83 0.505 | 69,85 2.750 | 5,59 0.220 | 7,62 0.300 |
| 14S | SBMSH5542 | 15,88 0.625 | 66,68 2.625 | 7,92 0.312 | 10,80 0.425 |
| 16S | SBMSH5543 | 19,05 0.750 | 63,50 2.500 | 11,10 0.437 | 13,97 0.550 |
| 16 | SBMSH5543 | 19,05 0.750 | 63,50 2.500 | 11,10 0.437 | 13,97 0.550 |
| 18 | SBMSH5544 | 22,23 0.875 | 60,33 2.375 | 14,27 0.562 | 15,57 0.613 |
| 20 | SBMSH5545 | 25,40 1.000 | 57,15 2.250 | 15,88 0.625 | 18,75 0.738 |
| 22 | SBMSH5546 | 28,58 1.125 | 57,15 2.250 | 15,88 0.625 | 18,75 0.738 |
| 24 | SBMSH5547 | 31,75 1.250 | 53,98 2.125 | 19,05 0.750 | 23,50 0.925 |
| 28 | SBMSH5548 | 38,23 1.505 | 53,98 2.125 | 19,05 0.750 | 23,50 0.925 |
| 32 | SBMSH5549 | 44,45 1.750 | 50,80 2.000 | 23,80 0.937 | 31,45 1.238 |
| 36 | SBMSH55410 | 47,88 1.885 | 47,63 1.875 | 31,75 1.250 | 34,62 1.363 |
| 40 | SBMSH55411 | 52,90 2.083 | 44,40 1.748 | 34,92 1.375 | 40,99 1.614 |

Panel Sealing Gaskets

Non-Screening, Sealing Only

RFI Conductive Screening & Sealing



Front Mounted Receptacle
Part Number:
 Non-Screening- SB - ** - RPG
 RFI Screening- SB - ** - RPGS

Rear Mounted Receptacle
Part Number:
 Non-Screening- SB - ** - FPG
 RFI Screening- SB - ** - FPGS

Metric
Imperial

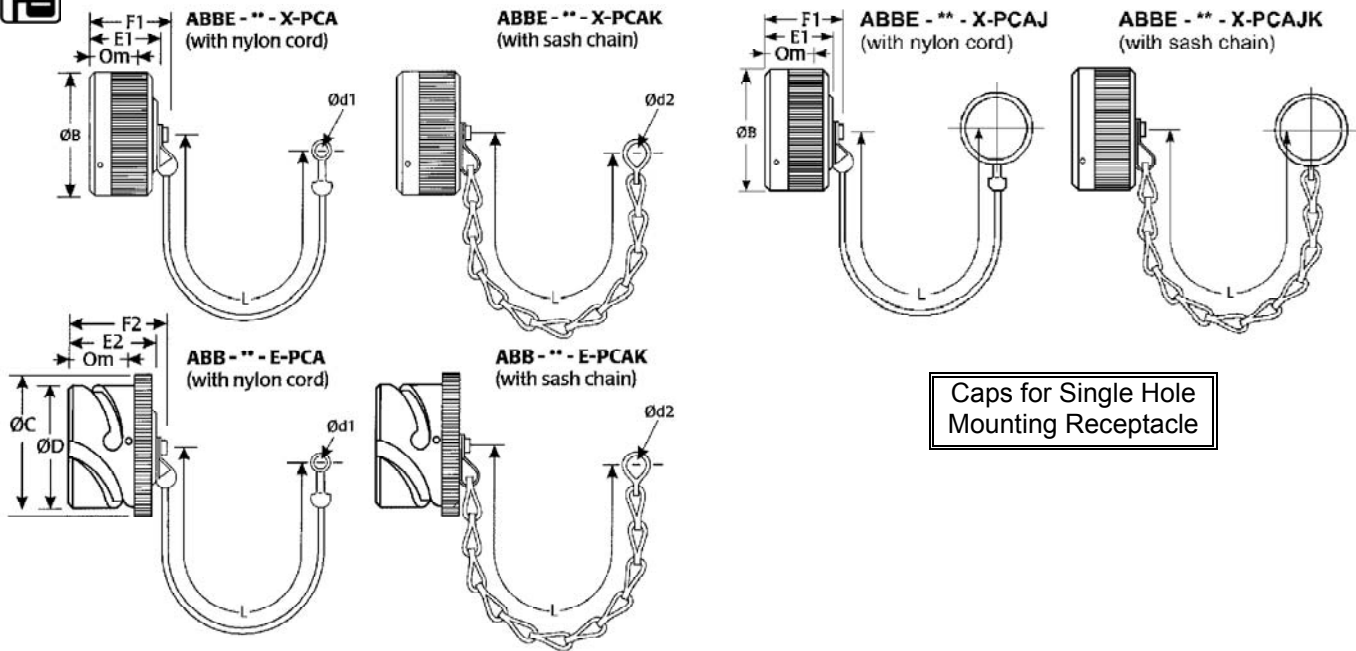
| Shell size | A Min | B Nominal | B1 Nominal | d Min | T Nominal |
|------------|------------------------|-----------------------|-----------------------|----------------------|----------------------|
| 10SL | 25,40 1.000 | 15,88 0.625 | 18,30 0.720 | 3,43 0.135 | 1,00 0.040 |
| 14S | 30,20 1.188 | 19,00 0.750 | 24,70 0.972 | 3,43 0.135 | 1,00 0.040 |
| 16S | 32,50 1.280 | 22,20 0.875 | 27,50 1.083 | 3,43 0.135 | 1,00 0.040 |
| 16 | 32,50 1.280 | 22,20 0.875 | 27,50 1.083 | 3,43 0.135 | 1,00 0.040 |
| 18 | 34,90 1.375 | 25,40 1.000 | 30,90 1.217 | 3,43 0.135 | 1,00 0.040 |
| 20 | 38,10 1.500 | 28,60 1.125 | 34,30 1.350 | 3,43 0.135 | 1,00 0.040 |
| 22 | 41,30 1.625 | 31,70 1.250 | 37,50 1.476 | 3,43 0.135 | 1,00 0.040 |
| 24 | 44,50 1.750 | 34,90 1.375 | 41,00 1.614 | 4,12 0.162 | 1,00 0.040 |
| 28 | 50,80 2.000 | 41,30 1.625 | 46,80 1.843 | 4,12 0.162 | 1,00 0.040 |
| 32 | 57,20 2.250 | 47,60 1.875 | 53,50 2.106 | 4,78 0.188 | 1,00 0.040 |
| 36 | 63,50 2.500 | 52,60 2.071 | 59,70 2.350 | 4,78 0.188 | 1,00 0.040 |
| 40 | 69,90 2.750 | 61,90 2.440 | 65,50 2.580 | 5,10 2.010 | 1,00 0.040 |
| *49 | 110,00 4.331 | 98,10 3.862 | 98,10 3.862 | 7,90 0.311 | 1,25 0.049 |

* Size 49 is available as non-screened version only.

Protective Caps

Styles: **ABBE-**-X-PCA / X-PCAK & X-PCAJ / X-PCAJK**

ABB--E-PCA / E-PCAK**

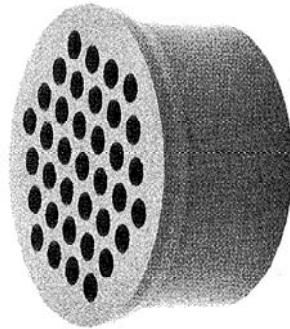


Metric
Imperial

| Shell Size | B Max | C Max | D Max | E1 Max | E2 Max | F1 Max | F2 Max | L approx. See note | d1 Min | d2 +0.5, -0 +0.02, -0 | Om Min Overlap Mated |
|------------|----------------|----------------|----------------|----------------|----------------|----------------|----------------|--------------------|---------------|-----------------------|----------------------|
| 10SL | 22,80 0.898 | 26,10 1.028 | 18,20 0.717 | 17,50 0.689 | 21,60 0.850 | 24,60 0.969 | 28,40 1.118 | 100,00 4.000 | 4,85 0.191 | 4,30 0.169 | 11,10 0.437 |
| 14S | 29,20 1.150 | 32,50 1.280 | 24,60 0.969 | 17,50 0.689 | 21,60 0.850 | 24,60 0.969 | 28,40 1.118 | 100,00 4.000 | 4,85 0.191 | 4,30 0.169 | 11,10 0.437 |
| 16S | 32,40 1.276 | 35,30 1.390 | 27,40 1.079 | 17,50 0.689 | 21,60 0.850 | 24,60 0.969 | 28,40 1.118 | 100,00 4.000 | 4,85 0.191 | 4,30 0.169 | 11,10 0.437 |
| 16 | 32,40 1.276 | 35,30 1.390 | 27,40 1.079 | 24,00 0.945 | 27,30 1.075 | 24,60 0.969 | 28,40 1.118 | 100,00 4.000 | 4,85 0.191 | 4,30 0.169 | 15,85 0.624 |
| 18 | 36,50 1.437 | 38,70 1.524 | 30,80 1.213 | 24,00 0.945 | 27,30 1.075 | 29,80 1.173 | 33,90 1.335 | 150,00 6.000 | 4,85 0.191 | 4,30 0.169 | 15,85 0.624 |
| 20 | 39,90 1.571 | 42,10 1.658 | 34,20 1.346 | 24,00 0.945 | 27,30 1.075 | 29,80 1.173 | 33,90 1.335 | 150,00 6.000 | 4,85 0.191 | 4,30 0.169 | 15,85 0.624 |
| 22 | 43,10 1.697 | 45,30 1.784 | 37,40 1.472 | 24,00 0.945 | 27,30 1.075 | 29,80 1.173 | 33,90 1.335 | 150,00 6.000 | 4,85 0.191 | 4,30 0.169 | 15,75 0.620 |
| 24 | 46,60 1.835 | 48,80 1.921 | 40,90 1.610 | 24,00 0.945 | 27,30 1.075 | 29,80 1.173 | 33,90 1.335 | 150,00 6.000 | 4,85 0.191 | 4,30 0.169 | 15,75 0.620 |
| 28 | 53,40 2.102 | 54,60 2.150 | 46,70 1.838 | 24,00 0.945 | 27,30 1.075 | 29,80 1.173 | 33,90 1.335 | 150,00 6.000 | 4,85 0.191 | 4,30 0.169 | 15,75 0.620 |
| 32 | 60,10 2.366 | 61,30 2.413 | 53,40 2.102 | 27,00 1.063 | 27,30 1.075 | 29,80 1.173 | 33,90 1.335 | 150,00 6.000 | 4,85 0.191 | 5,50 0.217 | 15,75 0.620 |
| 36 | 66,30 2.610 | 67,50 2.658 | 59,60 2.346 | 27,00 1.063 | 27,30 1.075 | 29,80 1.173 | 33,90 1.335 | 150,00 6.000 | 4,85 0.191 | 5,50 0.217 | 15,75 0.620 |
| 40 | 72,10 2.838 | 73,40 2.890 | 65,50 2.579 | 27,00 1.063 | 27,30 1.075 | 29,80 1.173 | 33,90 1.335 | 150,00 6.000 | 4,85 0.191 | 5,50 0.217 | 15,75 0.620 |

Note. For alternative cord or chain length, please consult the factory.

Individual Wire Seal Grommet Dummy Pin, Socket & Grommet Filler Plug



Metric
Imperial

How to order:
ABBH - ** - ** - GAC - F80

Shell size ————

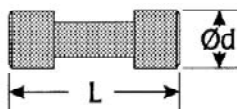
Contact arrangement ————

| F80 Contact Sizes AWG (Metric) | *Wire Insulation Min O/D | *Wire Insulation Max O/D |
|-----------------------------------|-----------------------------|-----------------------------|
| 16S/16 (15S/15) | 1,52 0.060 | 3,20 0.126 |
| 12 (25) | 2,44 0.096 | 5,12 0.202 |
| 8 (100) | 4,90 0.193 | 7,20 0.283 |
| 4 (160) | 8,18 0.322 | 11,00 0.433 |
| **0 (500) | 14,00 0.551 | 16,00 0.630 |

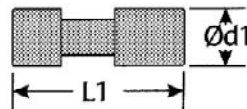
* Please contact sales office for further detail.

** For details of grommet reducing bushes to suit 35mm², 25mm² & 16mm² wire. please contact the sales office.

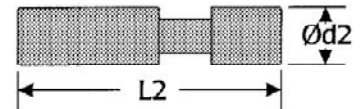
Grommet Filler Plug



Dummy Pin



Dummy Socket



Metric
Imperial

ABB - ** - KFP F80

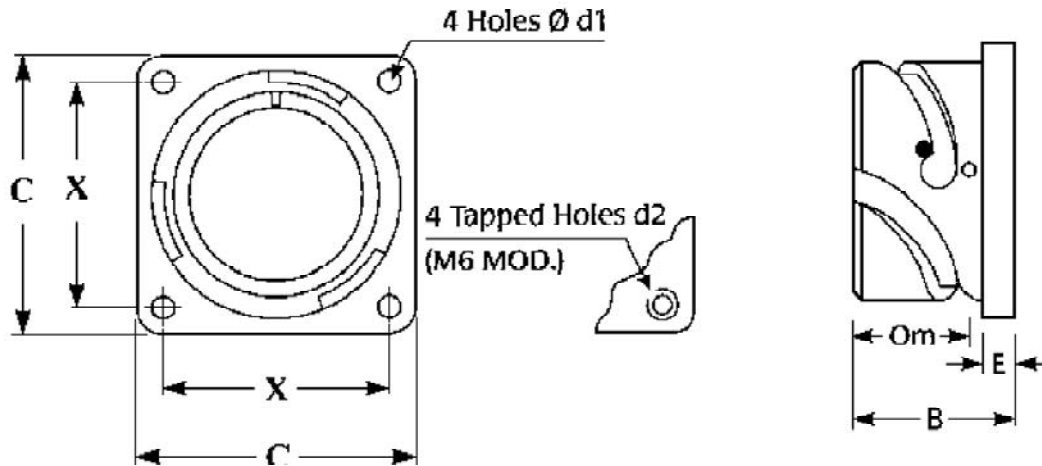
ABB - ** - KDP F80

ABB - ** - KDS F80

| Contact Size AWG (Metric) | L Max | d Max | L1 Max | d1 Max | L2 Max | d2 Max | Colour Code |
|------------------------------|-----------------------|-----------------------|-----------------------|-----------------------|-----------------------|-----------------------|--------------------|
| ***16S (15S) | 12,30 0.484 | 3,90 0.154 | 20,40 0.803 | 3,20 0.126 | 26,85 1.057 | 3,20 0.126 | Pink |
| ***16 (15) | 12,30 0.484 | 3,90 0.154 | 20,00 0.787 | 3,20 0.126 | 36,75 1.447 | 3,20 0.126 | Brown (KDP/KDS) |
| 12 (25) | 12,30 0.484 | 3,80 0.150 | 20,40 0.803 | 4,80 0.189 | 37,75 1.486 | 4,80 0.189 | Orange |
| 8 (100) | 12,10 0.476 | 7,00 0.276 | 22,75 0.896 | 7,80 0.307 | 40,95 1.612 | 7,80 0.307 | Violet |
| 4 (160) | 12,10 0.476 | 10,20 0.402 | * | * | * | * | Black |
| 0 (500) | 12,50 0.500 | 15,60 0.614 | 24,60 0.969 | 15,00 0.590 | 44,70 1.760 | 15,00 0.590 | White |

Square Flange Stowage Receptacle

Style: ABCIR - ** - SX / SX - M6



Metric
Imperial

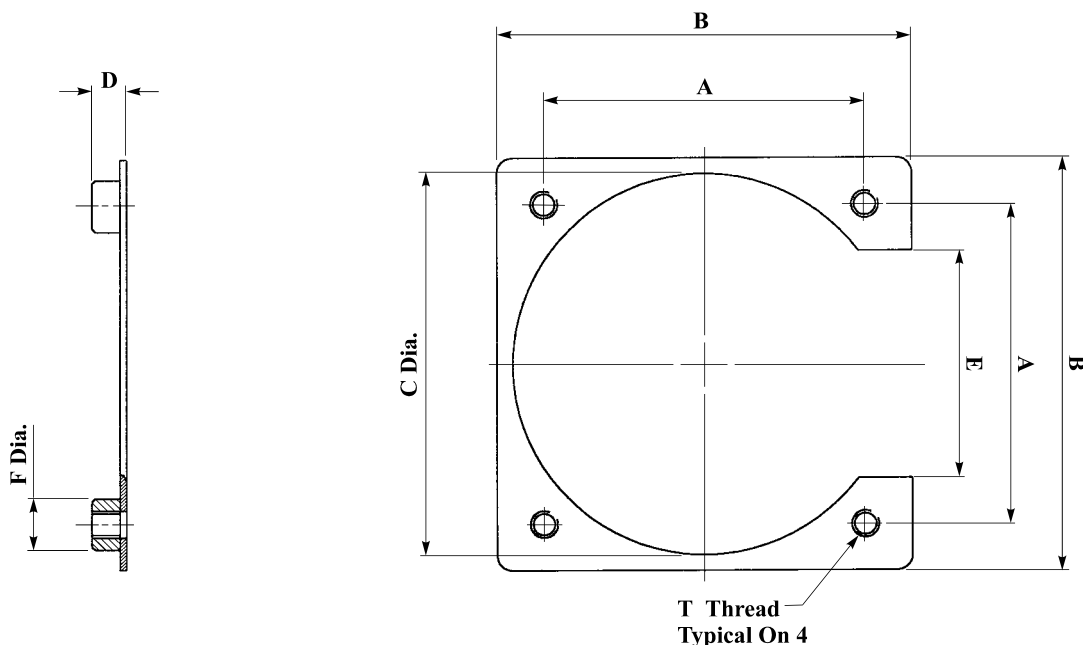
Note.
See page 79 for panel mounting details.

| Part Number | B Max | C Max | D1 Min | d2 Thread | E Max | X | Om min overlap mated |
|---------------|----------------|-----------------|---------------|-----------|---------------|----------------|----------------------|
| ABCIR-10SL-SX | 17,60 0.693 | 25,70 1.012 | 3,20 0.126 | M4 | 3,00 0.118 | 18,20 0.717 | 11,10 0.437 |
| ABCIR-14S-SX | 18,00 0.709 | 30,30 1.193 | 3,20 0.126 | M4 | 3,40 0.134 | 23,10 0.909 | 11,10 0.437 |
| ABCIR-16S-SX | 18,00 0.709 | 32,80 1.291 | 3,20 0.126 | M4 | 3,40 0.134 | 24,60 0.969 | 11,10 0.437 |
| ABCIR-16-SX | 22,80 0.898 | 32,80 1.291 | 3,20 0.126 | M4 | 3,40 0.134 | 24,60 0.969 | 15,85 0.624 |
| ABCIR-18-SX | 23,60 0.929 | 35,30 1.390 | 3,20 0.126 | M4 | 4,20 0.165 | 27,00 1.063 | 15,85 0.624 |
| ABCIR-20-SX | 23,60 0.929 | 38,30 1.508 | 3,20 0.126 | M4 | 4,20 0.165 | 29,40 1.157 | 15,85 0.624 |
| ABCIR-22-SX | 23,60 0.929 | 41,30 1.626 | 3,20 0.126 | M4 | 4,20 0.165 | 31,80 1.252 | 15,75 0.620 |
| ABCIR-24-SX | 25,20 0.992 | 44,80 1.764 | 3,70 0.146 | M4 | 4,20 0.165 | 34,90 1.374 | 15,75 0.620 |
| ABCIR-28-SX | 25,20 0.992 | 51,10 2.012 | 3,70 0.146 | M5 | 4,20 0.165 | 39,70 1.563 | 15,75 0.620 |
| ABCIR-32-SX | 26,80 1.055 | 57,30 2.256 | 4,30 0.169 | M5 | 4,20 0.165 | 44,50 1.752 | 15,75 0.620 |
| ABCIR-36-SX | 26,80 1.055 | 63,80 2.512 | 4,30 0.169 | M5 | 4,20 0.165 | 49,20 1.937 | 15,75 0.620 |
| ABCIR-40-SX | 26,80 1.055 | 70,20 2.763 | 4,30 0.169 | M5 | 4,20 0.165 | 55,50 2.185 | 15,75 0.620 |
| ABCIR-49-SX | 56,73 2.233 | 110,40 4.346 | 8,50 0.335 | - | 8,20 0.323 | 90,00 3.543 | |

Square Fange Receptacle

Nut Plates

Style: ABB ** NP (Metric Thread) / NPA (UNC Thread)



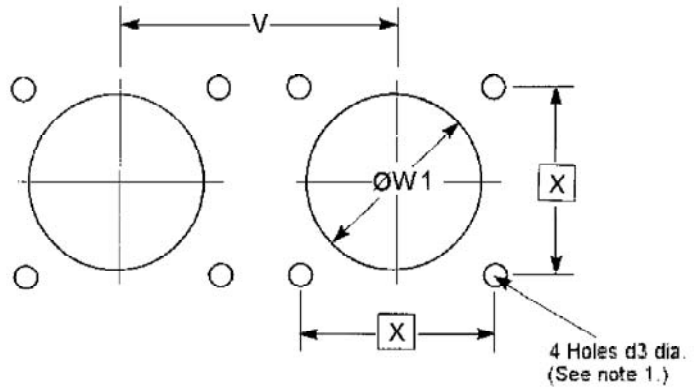
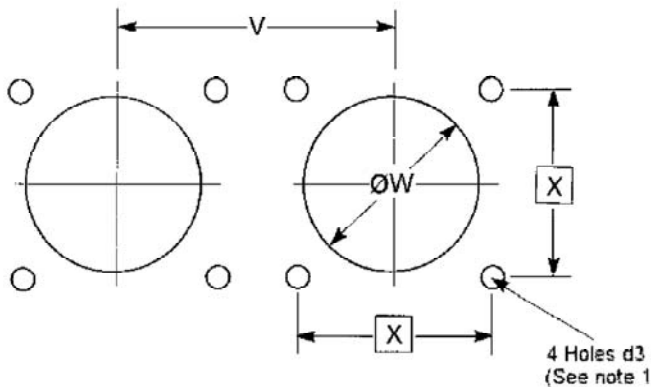
Metric
Imperial

| Shell Size | A | B Max | C Dia. Max | D | E Max | F Dia. Max | T Thread | Part Number | T Thread | Part Number |
|------------|----------------|----------------|----------------|--------------------------|----------------|---------------|----------|-------------|------------|-------------|
| 10SL | 18,26 0.719 | 26,26 1.034 | 17,85 0.702 | 2,69/4,22 0.106/0.166 | 11,50 0.453 | 6,00 0.236 | M3 x 0,5 | ABB10SLNP | 4 - 40 UNC | ABB10SLNPA |
| 14S | 23,01 0.906 | 30,66 1.207 | 24,59 0.968 | 2,69/4,22 0.106/0.166 | 16,25 0.640 | 6,00 0.236 | M3 x 0,5 | ABB14SNP | 4 - 40 UNC | ABB14SNPA |
| 16S | 24,61 0.969 | 32,26 1.270 | 28,17 1.109 | 2,69/4,22 0.106/0.166 | 17,85 0.703 | 6,00 0.236 | M3 x 0,5 | ABB16SNP | 4 - 40 UNC | ABB16SNPA |
| 16 | 24,61 0.969 | 32,26 1.270 | 28,17 1.109 | 2,69/4,22 0.106/0.166 | 17,85 0.703 | 6,00 0.236 | M3 x 0,5 | ABB16NP | 4 - 40 UNC | ABB16NPA |
| 18 | 26,97 1.062 | 34,62 1.363 | 30,48 1.250 | 2,69/4,22 0.106/0.166 | 20,21 0.796 | 6,00 0.236 | M3 x 0,5 | ABB18NP | 4 - 40 UNC | ABB18NPA |
| 20 | 29,36 1.156 | 38,48 1.515 | 33,53 1.320 | 2,69/4,22 0.106/0.166 | 22,47 0.885 | 6,00 0.236 | M3 x 0,5 | ABB20NP | 4 - 40 UNC | ABB20NPA |
| 22 | 31,75 1.250 | 40,84 1.608 | 36,65 1.443 | 2,69/4,22 0.106/0.166 | 23,54 0.927 | 6,00 0.236 | M3 x 0,5 | ABB22NP | 4 - 40 UNC | ABB22NPA |
| 24 | 34,93 1.375 | 44,83 1.765 | 40,00 1.575 | 2,69/4,22 0.106/0.166 | 25,90 1.020 | 7,50 0.295 | M3 x 0,5 | ABB24NP | 4 - 40 UNC | ABB24NPA |
| 28 | 39,67 1.562 | 51,18 2.015 | 46,61 1.835 | 2,69/4,22 0.106/0.166 | 29,08 1.145 | 7,50 0.295 | M3 x 0,5 | ABB28NP | 4 - 40 UNC | ABB28NPA |
| 32 | 44,45 1.750 | 59,10 2.327 | 52,75 2.077 | 3,50/5,00 0.138/0.197 | 30,68 1.208 | 8,00 0.315 | M4 x 0,7 | ABB32NP | 8 - 32 UNC | ABB32NPA |
| 36 | 49,23 1.968 | 63,86 2.514 | 59,10 2.327 | 3,50/5,00 0.138/0.197 | 35,43 1.395 | 8,00 0.315 | M4 x 0,7 | ABB36NP | 8 - 32 UNC | ABB36NPA |
| 40 | 55,58 2.188 | 74,68 2.940 | 68,33 2.690 | 3,50/5,00 0.138/0.197 | 38,60 1.520 | 8,00 0.315 | M4 x 0,7 | ABB40NP | 8 - 32 UNC | ABB40NPA |

* Please consult factory for availability.

*** For Grommet Filler Plugs (KFP), do not add F80 to part number. Colour Blue.

Square Flange Receptacles Panel Mounting Detail



**Front Mounting Style: ABCIRH00
ABCIRH04
ABCIRH12A**

**Rear Mounting Style: ABCIRH03
ABCIRH05 & 07**

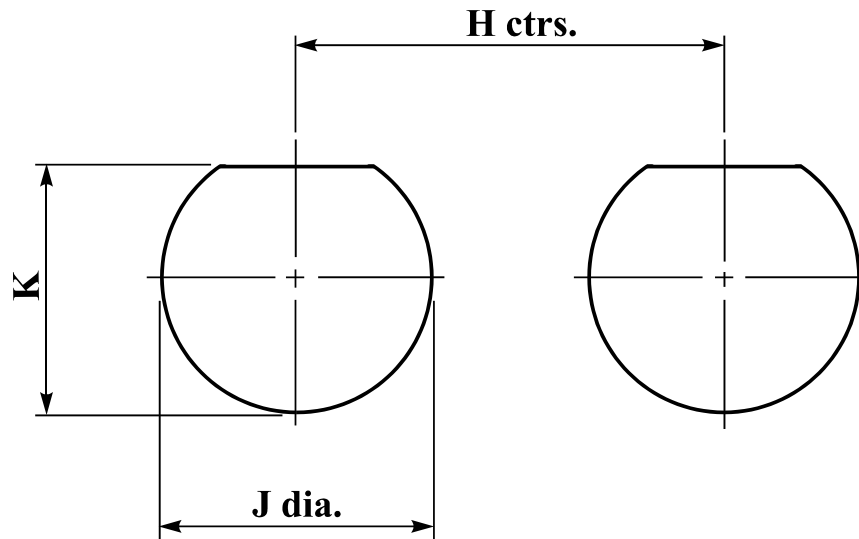
**Metric
Imperial**

Note 1.
When fixed connectors are used with threaded mounting holes, refer to hole sizes in column **d4**.

Note 2.
When fixed connectors are used with plugs having rubber coupling nuts, please consult factory for panel cut-out dimensions.

| Shell Size | d3 dia. | d4 dia. | V | W | W1 | X |
|------------|----------------------|----------------------|------------------------|-----------------------|-----------------------|-----------------------|
| 10SL | 3,40 0.134 | 4,50 0.177 | 26,60 1.047 | 17,00 0.670 | 18,58 0.732 | 18,20 0.717 |
| 14S | 3,40 0.134 | 4,50 0.177 | 31,60 1.244 | 20,00 0.780 | 24,98 0.984 | 23,00 0.906 |
| 16S | 3,40 0.134 | 4,50 0.177 | 34,40 1.354 | 23,00 0.906 | 27,78 1.094 | 24,60 0.969 |
| 16 | 3,40 0.134 | 4,50 0.177 | 34,40 1.354 | 23,00 0.906 | 27,78 1.094 | 24,60 0.969 |
| 18 | 3,40 0.134 | 4,50 0.177 | 38,30 1.508 | 26,00 1.024 | 31,18 1.228 | 27,00 1.063 |
| 20 | 3,40 0.134 | 4,50 0.177 | 41,70 1.642 | 30,00 1.181 | 34,58 1.361 | 29,40 1.157 |
| 22 | 3,40 0.134 | 4,50 0.177 | 45,20 1.780 | 33,00 1.300 | 37,78 1.487 | 31,80 1.252 |
| 24 | 3,90 0.154 | 4,50 0.177 | 48,70 1.917 | 36,00 1.417 | 41,28 1.625 | 34,90 1.374 |
| 28 | 3,90 0.154 | 5,50 0.217 | 55,50 2.185 | 42,00 1.654 | 47,08 1.854 | 39,70 1.563 |
| 32 | 4,50 0.177 | 5,50 0.217 | 62,40 2.475 | 48,50 1.909 | 53,78 2.117 | 44,50 1.752 |
| 36 | 4,50 0.177 | 5,50 0.217 | 69,00 2.717 | 55,00 2.165 | 59,98 2.361 | 49,20 1.937 |
| 40 | 4,50 0.177 | 5,50 0.217 | 75,00 2.953 | 59,10 2.327 | 66,4 2.614 | 55,50 2.186 |
| 49 | 8,50 0.315 | - | 140,00 5.512 | 91,00 3.583 | 91,00 3.583 | 90,00 3.543 |

Single Hole Mounting Receptacle Panel Mounting Detail



| |
|----------|
| Metric |
| Imperial |

Note.

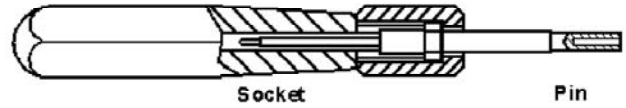
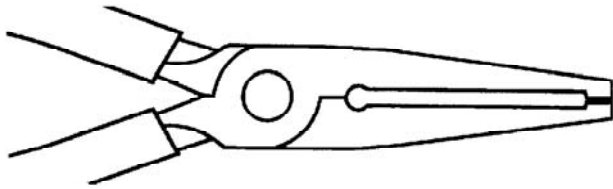
When fixed connectors are used with plugs having rubber coupling nuts, please consult factory for panel cut-out dimensions.

| Shell Size | H ctrs. | J dia. | K |
|------------|-----------------------|-----------------------|-----------------------|
| 10SL | 32,55 1.281 | 22,53 0.887 | 20,83 0.820 |
| 14S | 42,05 1.656 | 28,88 1.137 | 27,23 1.072 |
| 16S | 45,15 1.776 | 32,08 1.263 | 30,78 1.212 |
| 16 | 45,15 1.776 | 32,08 1.263 | 30,78 1.212 |
| 18 | 48,85 1.923 | 35,23 1.387 | 33,58 1.322 |
| 20 | 52,05 2.049 | 38,43 1.513 | 36,68 1.444 |
| 22 | 55,45 2.183 | 41,56 1.636 | 39,88 1.570 |
| 24 | 58,45 2.301 | 44,78 1.763 | 43,18 1.700 |
| 28 | 65,25 2.569 | 51,13 2.013 | 49,37 1.944 |
| 32 | 71,55 2.817 | 57,48 2.263 | 55,78 2.196 |
| 36 | 77,95 3.069 | 63,83 2.513 | 62,18 2.448 |
| 40 | 85,25 3.356 | 70,18 2.763 | 68,38 2.692 |

F80 Crimp Contacts

Insertion & Extraction Tools

Socket Contact Guide Pins



Insertion Tool

Extraction Tool

| Contact Size AWG (Metric) | Insertion Tool Part Number |
|------------------------------|----------------------------------|
| 16 (16S) | ABB-IT-16 |
| 16 (15) | ABB-IT-16 |
| 12 (25) | ABB-IT-12 |
| 8 (100) | Tool Not Required |
| 4 (160) | |
| 0 (500) | |

| Contact Size AWG (Metric) | Extraction Tool Part Number |
|------------------------------|-----------------------------------|
| 16 (16S) | ABB-ET-16 |
| 16 (15) | ABB-ET-16 |
| 12 (25) | ABB-ET-12 |
| 8 (100) | Tool Not Required |
| 4 (160) | |
| 0 (500) | |

Socket Contact Guide Pin

| Socket Contact Size AWG (Metric) | Guide Pin Part Number |
|--|------------------------------|
| 16 (16S) | ABB-16-SGP |
| 16 (15) | ABB-16-SGP |
| 12 (25) | ABB-12-SGP |
| 8 (100) | Guide Pin Not Required |
| 4 (160) | |
| 0 (500) | |

Note.

For full assembly instructions, see
AB Specification 514.
Contact the sales office for a copy.

F80 Contacts

Crimp & Tooling Data

| Contact Size & Type | Contact Part Number | Wire Size C.S.A. mm ² | Tool Required | Turret/Locator | Tool Setting | Tool Pos'n If Applicable | Insertion Tool | Extraction Tool | Guide Pins |
|---------------------|---------------------|----------------------------------|---------------|----------------|--------------|--------------------------|----------------|-----------------|------------|
| 16S/20 Pin | ABB16S/20KPKF80 | 0,5/0,75 | AF8/WA27F | TP1249 | 3 | - | ABBIT16 | ABBET16 | - |
| 16S/20 Skt. | ABB16S/20KSKF80 | 0,5/0,75 | AF8/WA27F | TP1249 | 3 | - | ABBIT16 | ABBET16 | ABB16SG |
| 16S/18 Pin | ABB16S/18KPKF80 | 0,75/0,93 | AF8/WA27F | TP1249 | 4 | - | ABBIT16 | ABBET16 | - |
| 16S/18 Skt. | ABB16S/18KSKF80 | 0,75/0,93 | AF8/WA27F | TP1249 | 4 | - | ABBIT16 | ABBET16 | ABB16SG |
| 16S/14 Pin | ABB16S/14KPKF80 | 1,94/2,08 | AF8/WA27F | TP1249 | 5 | - | ABBIT16 | ABBET16 | - |
| 16S/14 Skt. | ABB16S/14KSKF80 | 1,94/2,08 | AF8/WA27F | TP1249 | 5 | - | ABBIT16 | ABBET16 | ABB16SG |
| 16S Pin | ABB16SKPKF80 | 0,93/1,5 | AF8/WA27F | TP1249 | 5 | - | ABBIT16 | ABBET16 | - |
| 16S Skt. | ABB16SKSKF80 | 0,93/1,5 | AF8/WA27F | TP1249 | 5 | - | ABBIT16 | ABBET16 | ABB16SG |
| LIF 16S Skt. | ABB16SKLKF80 | 0,93/1,5 | AF8/WA27F | TP1249 | 5 | - | ABBIT16 | ABBET16 | ABB16SG |
| 16/22 Pin | ABB16/22KPKF80 | 0,22/0,34 | AF8/WA27F | TH592 | 2/3 | Red | ABBIT16 | ABBET16 | - |
| 16/22 Skt. | ABB16/22KSKF80 | 0,22/0,34 | AF8/WA27F | TH592 | 2/3 | Blue | ABBIT16 | ABBET16 | ABB16SG |
| 16/20 Pin | ABB16/20KPKF80 | 0,5/0,75 | AF8/WA27F | TH592 | 3 | Blue | ABBIT16 | ABBET16 | - |
| 16/20 Skt. | ABB16/20KSKF80 | 0,5/0,75 | AF8/WA27F | TH592 | 3 | Red | ABBIT16 | ABBET16 | ABB16SG |
| LIF 16/20 Skt. | ABB16/20KSKF80 | 0,5/0,75 | AF8/WA27F | TH592 | 3 | Red | ABBIT16 | ABBET16 | ABB16SG |
| 16/18 Pin | ABB16/18KPKF80 | 0,75/0,93 | AF8/WA27F | TH592 | 4 | Blue | ABBIT16 | ABBET16 | - |
| 16/18 Skt. | ABB16/18KSKF80 | 0,75/0,93 | AF8/WA27F | TH592 | 4 | Red | ABBIT16 | ABBET16 | ABB16SG |
| 16 Pin | ABB16KPKF80 | 0,93/1,5 | AF8/WA27F | TH592 | 5 | Blue | ABBIT16 | ABBET16 | - |
| 16 Skt. | ABB16KSKF80 | 0,93/1,5 | AF8/WA27F | TH592 | 5 | Red | ABBIT16 | ABBET16 | ABB16SG |
| LIF 16 Skt. | ABB16KSKF80 | 0,93/1,5 | AF8/WA27F | TH592 | 5 | Red | ABBIT16 | ABBET16 | ABB16SG |
| 16/14 Pin | ABB16/14KPKF80 | 1,94/2,08 | AF8/WA27F | TH592 | 5 | Blue | ABBIT16 | ABBET16 | - |
| 16/14 Skt. | ABB16/14KSKF80 | 1,94/2,08 | AF8/WA27F | TH592 | 5 | Red | ABBIT16 | ABBET16 | ABB16SG |
| 16/12 Pin | ABB16/12KPKF80 | 2,50/3,00 | AF8/WA27F | TH592 | 7 | Yellow | ABBIT16 | ABBET16 | - |
| 16/12 Skt. | ABB16/12KSKF80 | 2,50/3,00 | AF8/WA27F | TH592 | 7 | Yellow | ABBIT16 | ABBET16 | ABB16SG |
| 12/20 Pin | ABB12/20KPKF80 | 0,5/0,75 | AF8/WA27F | TH592 | 3 | Yellow | ABBIT12 | ABBET12 | - |
| 12/20 Skt. | ABB12/20KSKF80 | 0,5/0,75 | AF8/WA27F | TH592 | 3 | Yellow | ABBIT12 | ABBET12 | ABB12SG |
| LIF 12/20 Skt. | ABB12/20KSKF80 | 0,5/0,75 | AF8/WA27F | TH592 | 3 | Yellow | ABBIT12 | ABBET12 | ABB12SG |
| 12/18 Pin | ABB12/18KPKF80 | 0,75/0,93 | AF8/WA27F | TH592 | 4 | Yellow | ABBIT12 | ABBET12 | - |
| 12/18 Skt. | ABB12/18KSKF80 | 0,75/0,93 | AF8/WA27F | TH592 | 4 | Yellow | ABBIT12 | ABBET12 | ABB12SG |
| 12/16 Pin | ABB12/16KPKF80 | 0,93/1,5 | AF8/WA27F | TH592 | 5 | Yellow | ABBIT12 | ABBET12 | - |
| 12/16 Skt. | ABB12/16KSKF80 | 0,93/1,5 | AF8/WA27F | TH592 | 5 | Yellow | ABBIT12 | ABBET12 | ABB12SG |
| LIF 12/16 Skt. | ABB12/16KSKF80 | 0,93/1,5 | AF8/WA27F | TH592 | 5 | Yellow | ABBIT12 | ABBET12 | ABB12SG |
| 12/14 Pin | ABB12/14KPKF80 | 1,94/2,08 | AF8/WA27F | TH592 | 5 | Yellow | ABBIT12 | ABBET12 | - |
| 12/14 Skt. | ABB12/14KSKF80 | 1,94/2,08 | AF8/WA27F | TH592 | 5 | Yellow | ABBIT12 | ABBET12 | ABB12SG |
| 12 Pin | ABB12KPKF80 | 2,50/3,00 | AF8/WA27F | TH592 | 7 | Yellow | ABBIT12 | ABBET12 | - |
| 12 Skt. | ABB12KSKF80 | 2,50/3,00 | AF8/WA27F | TH592 | 7 | Yellow | ABBIT12 | ABBET12 | ABB12SG |
| LIF 12 Skt. | ABB12KSKF80 | 2,50/3,00 | AF8/WA27F | TH592 | 7 | Yellow | ABBIT12 | ABBET12 | ABB12SG |
| 12/10 Pin | ABB12/10KPKF80 | 5,53 | M310 | TH592 | 5 | Yellow | ABBIT12 | ABBET12 | - |
| 12/10 Skt. | ABB12/10KSKF80 | 5,53 | M310 | TH592 | 5 | Yellow | ABBIT12 | ABBET12 | ABB12SG |
| 12/40 Pin | ABB12/40KPKF80 | 4,0 | M310 | TH592 | 5 | Yellow | ABBIT12 | ABBET12 | - |
| 12/40 Skt. | ABB12/40KSKF80 | 4,0 | M310 | TH592 | 5 | Yellow | ABBIT12 | ABBET12 | ABB12SG |

F80 Contacts

Crimp & Tooling Data cont.

| Contact Size & Type | Contact Part Number | Wire Size C.S.A. mm ² | Tool Required | Turret/Locator | Tool Setting | Tool Pos'n If Applicable | Insertion Tool | Extraction Tool | Guide Pins |
|---------------------|---------------------|----------------------------------|---------------|-----------------|--------------|--------------------------|----------------|-----------------|------------|
| 8/40 Pin | ABB8/40KPKF80 | 4,0 | D55E | Die Set | - | - | - | - | - |
| 8/40 Skt. | ABB8/40KSKF80 | 4,0 | D55E | Die Set | - | - | - | - | - |
| 8/12 Pin | ABB8/12KPKF80 | 2,5 | M310 | Consult Factory | 3 | - | - | - | - |
| 8/12 Skt. | ABB8/12KSKF80 | 2,5 | M310 | Consult Factory | 3 | - | - | - | - |
| 8/10 Pin | ABB8/10KPKF80 | 5,53 | D55E | Die Set | - | - | - | - | - |
| 8/10 Skt. | ABB8/10KSKF80 | 5,53 | D55E | Die Set | - | - | - | - | - |
| 8 Pin | ABB8KPKF80 | 9,0 | ERMA 19600 | 22390 | - | - | - | - | - |
| 8 Skt. | ABB8KSKF80 | 9,0 | ERMA 19600 | 22390 | - | - | - | - | - |
| 100/60 Pin | ABB100/60KPKF80 | 6,0 | D55E | Die Set | - | - | - | - | - |
| 100/60 Skt. | ABB100/60KSKF80 | 6,0 | D55E | Die Set | - | - | - | - | - |
| 100 Pin | ABB100KPKF80 | 10,0 | D55E | Die Set MRP0925 | - | - | - | - | - |
| 100 Skt. | ABB100KSKF80 | 10,0 | D55E | Die Set MRP0925 | - | - | - | - | - |
| 4/10 Pin | ABB4/10KPKF80 | 5,53 | D55E | Die Set | - | - | - | - | - |
| 4/10 Skt. | ABB4/10KSKF80 | 5,53 | D55E | Die Set | - | - | - | - | - |
| 4 Pin | ABB4KPKF80 | 22,0 | ERMA 19600 | Die set 22391 | - | - | - | - | - |
| 4 Skt. | ABB4KSKF80 | 22,0 | ERMA 19600 | Die Set 22391 | - | - | - | - | - |
| 160 Pin | ABB160KPKF80 | 16,0 | D55E | Die Set MRP0924 | - | - | - | - | - |
| 160 Skt. | ABB160KSKF80 | 16,0 | D55E | Die Set MRP0924 | - | - | - | - | - |
| 0 Pin | ABB0KPKF80 | 53,0 | ERMA 19600 | Die Set 22392 | - | - | - | - | - |
| 0 Skt. | ABB0KSKF80 | 53,0 | ERMA 19600 | Die Set 22392 | - | - | - | - | - |
| 500/160 Pin | ABB500/160KPKF8 | 16,0 | D55E | Die Set MRP0924 | - | - | - | - | - |
| 500/160 Skt. | ABB500/160KSKF8 | 16,0 | D55E | Die Set MRP0924 | - | - | - | - | - |
| 500/250 Pin | ABB500/250KPKF8 | 25,0 | D55E | Die Set | - | - | - | - | - |
| 500/250 Skt. | ABB500/250KSKF8 | 25,0 | D55E | Die Set | - | - | - | - | - |
| 500/350 Pin | ABB500/350KPKF8 | 35,0 | D55E | Die Set | - | - | - | - | - |
| 500/350 Skt. | ABB500/350KSKF8 | 35,0 | D55E | Die Set | - | - | - | - | - |
| 500 Pin | ABB500KPKF80 | 50,0 | D55E | Die Set MRP0925 | - | - | - | - | - |
| 500 Skt. | ABB500KSKF80 | 50,0 | D55E | Die Set MRP0925 | - | - | - | - | - |

Note.

For full assembly and wiring instructions for ABCIRH connectors, see AB Specification 514.

To obtain a copy, please contact the Sales Office.

F80 Coax & Twinax Contacts

Crimp & Tooling Data

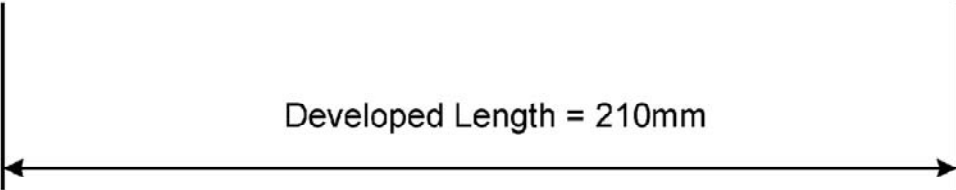
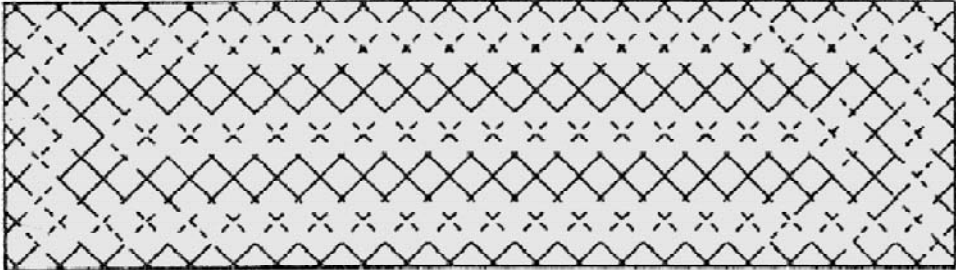
| Contact Size & Type | Contact Part Number | Wire Size C.S.A. mm ² | Contact Section | Tool Required | Turret/Locator | Tool Setting | Tool Position If Applicable |
|---------------------|---------------------|----------------------------------|-----------------|---------------|----------------|--------------|-----------------------------|
| 4 Coax Pin | ABB4CKPKF80P1001 | 0.5 | Inner | AF8 | TH619 | 4 | Red |
| | | | Screen | D55E/D51 | 31038 | - | - |
| 4 Coax Skt | ABB4CKSKF80P1001 | 0.5 | Inner | AF8 | TH619 | 4 | Blue |
| | | | Screen | D55E/D51 | 31038 | - | - |
| 4 Coax Pin | ABB4CKPKF80P1002 | 1.0 | Inner | AF8 | TH619 | 4 | Red |
| | | | Screen | D55E/D51 | HD51-150 | - | - |
| 4 Coax Skt. | ABB4CKSKF80P1002 | 1.0 | Inner | AF8 | TH619 | 4 | Blue |
| | | | Screen | D55E/D51 | HD51-150 | - | - |
| 4 Twinax Pin | ABB4TKPKF80P1 | 0.5/0.6 | Inner | AF8 | TH608 | 4 | Red |
| | | | Intermediate | HX4 | Y946 | - | - |
| | | | Screen | D55E/D51 | HD51-150 | - | - |
| 4 Twinax Skt | ABB4TKSKF80P1 | 0.5/0.6 | Inner | AF8 | TH608 | 4 | Blue |
| | | | Intermediate | HX4 | Y946 | - | - |
| | | | Screen | D55E/D51 | HD51-150 | - | - |
| 4 Twinax Pin | ABB4TKPKF80P1001 | 0.75/1.0 | Inner | AF8 | TH608 | 4 | Red |
| | | | Intermediate | HX4 | Y946 | - | - |
| | | | Screen | D55E/D51 | HD51-150 | - | - |
| 4 Twinax Skt. | ABB4TKSKF80P1001 | 0.75/1.0 | Inner | AF8 | TH608 | 4 | Blue |
| | | | Intermediate | HX4 | Y946 | - | - |
| | | | Screen | D55E/D51 | HD51-150 | - | - |

Note.

For full assembly and wiring instructions for Coax & Twinax contacts, see AB Specification 525.
To obtain a copy, please contact the Sales Office.

Braid Sock - 50mm Diameter

Braid Sock - ABBMBS050015/150



Final Length @ 50mmDia. = 150mm

Product Safety

The connectors referred to in this catalogue may be safely used within the special ratings and environment for which they have been designed. However, they comprise a complex build of different materials including metals and plastics which themselves are plated and cleaned with various chemical compounds during the assembly process. It is important to understand that hazards can occur if connectors are used:-

1. Outside the specified design criteria and/or incorrectly integrated into equipment.
2. When damaged in use, assembly, transit or storage.
3. Incorrectly wired or assembled.
4. Where the quality of installation is below the standard required to maintain and uphold good practice.
5. Where good housekeeping is not observed during use, assembly, transit or storage and allowing contamination from debris and fluids etc.

Safety Rules

1. Ensure all conductors & wires are capable of withstanding the electrical and environmental conditions of the application.
2. Always use the correct tools for cables, contacts and connectors.
3. Make circuit resistance checks before making a circuit live.
4. Always protect line circuits and **never** demate a live connector.
5. Never use a damaged connector.
6. Never burn discarded connectors or cable.
7. **IF IN DOUBT ASK.**

NB: Electrical safety factors are the responsibility of the user.

Note.

This publication is issued to provide outline information only and (unless specifically agreed to the contrary by the company in writing) is not to form part of any order or contract or be regarded as a representation relating to the products or services concerned.

The company reserves the right and may change or vary specification without prior written notice.

U.K.
Headquarters

AB Connectors Limited
Abercynon
Mountain Ash
Mid Glamorgan
CF45 4SF
U.K.

Tel. # 44 (0) 1443 740331
Fax. # 44 (0) 1443 741676

Internet - <http://www.ttabconnectors.com>
E-mail - sales@ttabconnectors.com

A subsidiary of TT electronics plc

U.S.A
Manufacturing & Sales

AB Connectors Division
Business US 70 East
Smithfield NC 27577

Tel. 919 934 5181
Fax. 919 934 0652

E-mail -
abconnectors@abautomotiveusa.com

A subsidiary of TT electronics plc

Global Presence



The world's demand for electronics is increasing as new technologies, with a higher dependence on complex components, are being adopted by a broader customer base. This growth provides TT electronics an assured future as we focus on efforts to deliver excellence in customer service and quality products to these markets. From our strong UK base, the company has achieved truly global reach. We have established technical and manufacturing facilities in strategic countries maintaining the successful formula of close liaison with our customers in all major overseas markets.

In addition, through strategic relationships with Original Equipment Manufacturers around the world, we are now in the enviable position where we gain double benefit - from growth in their markets and from the increase in the electronic content of end products.

Information on TT electronics companies can be found by contacting:-

Head Office:

TT electronics plc
Clive House
12 - 18 Queens Road
Weybridge
Surrey
KT13 9XB
UK

Tel: +44 (0) 1932 841310
Fax: +44 (0) 1932 836450

Email: info@ttelelectronics.com
Web: www.ttelelectronics.com

AB Connectors Limited
Abercynon, Mountain Ash,
Rhondda Cynon Taff, CF45 4SF, UK.

Telephone: + 44(0) 1443 740331
Facsimile: + 44(0) 1443 741676
Email: sales@ttabconnectors.com
Website: www.ttabconnectors.com

AB Interconnect Inc.
PO Box 2240, 2500 Business Highway 70 East,
Smithfield, NC 27577, USA.

Telephone: + (1)919 934 5181
Facsimile: + (1)919 934 0652
Email: sales@abinterconnect.com
Website: www.abinterconnect.com

AB Connectors (Suzhou) Limited
158-29 Huashan Road, Feng Qiao Ind. Park,
Suzhou, Jiang Su Province, China 215129

Telephone: + 86 512 6661 1004
Facsimile: + 86 512 6661 3261 880
Email: sales@ttabconnectors.com
Website: www.ttabconnectors.com


AB Connectors Limited
A Subsidiary of TT electronics plc

