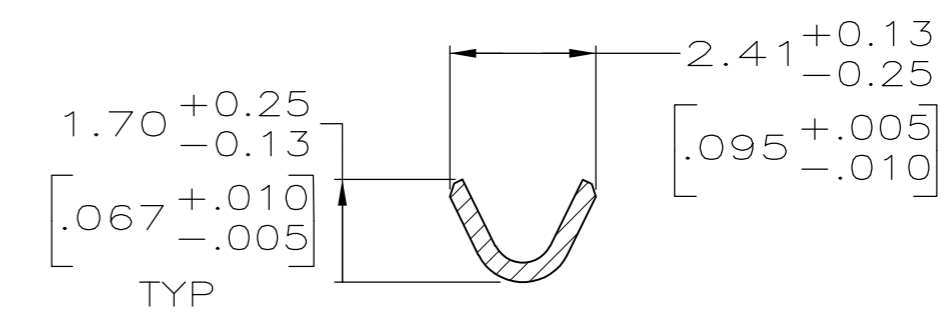
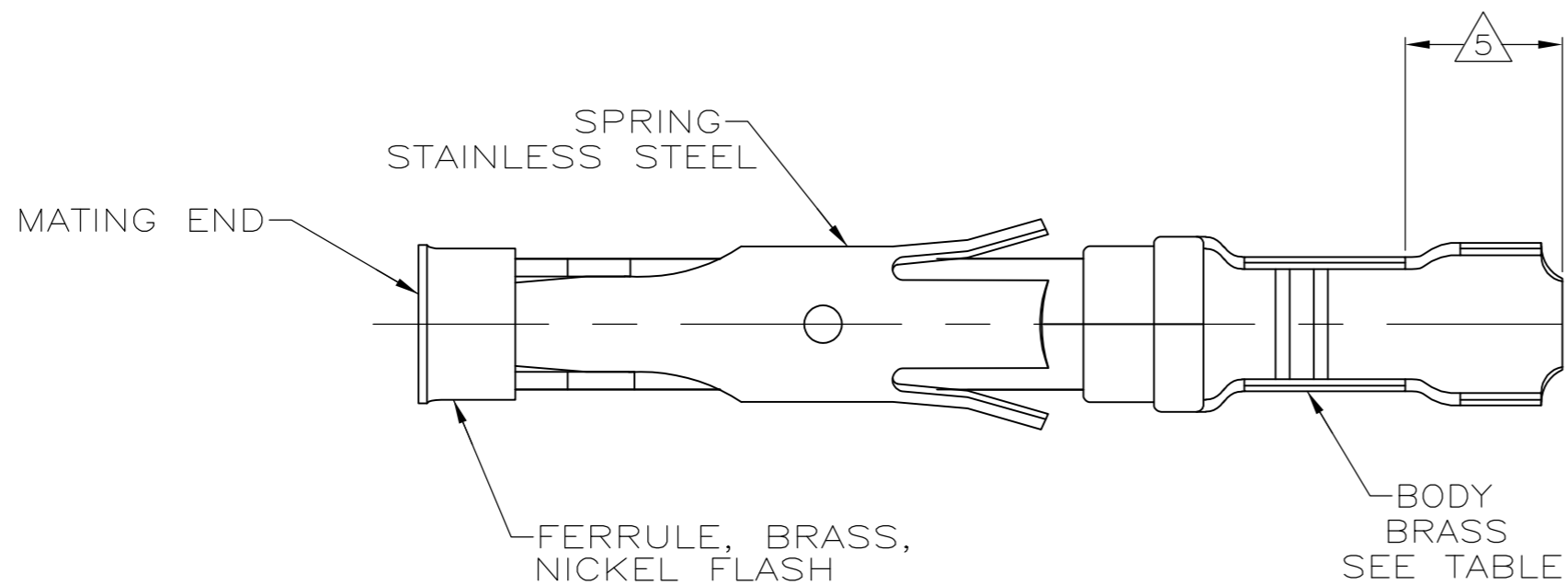
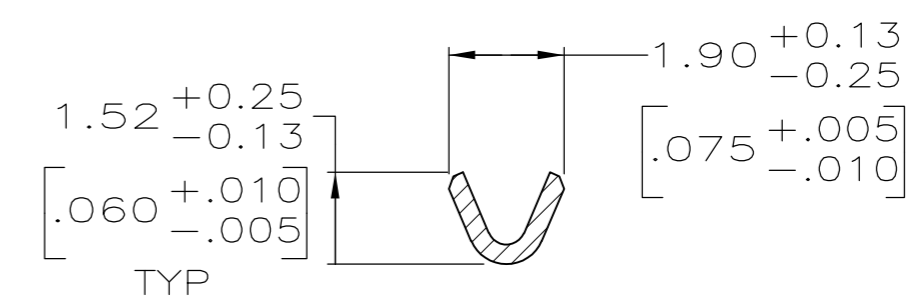
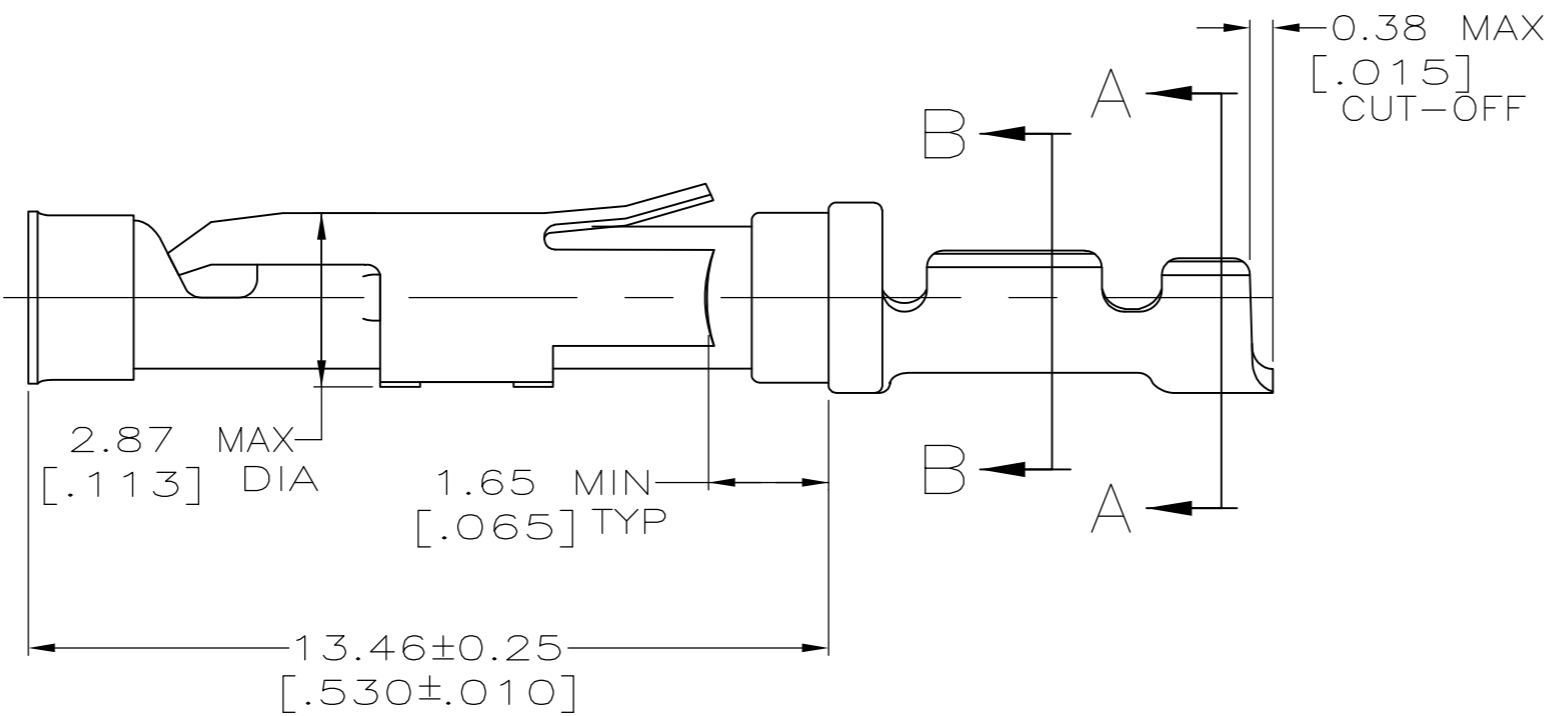
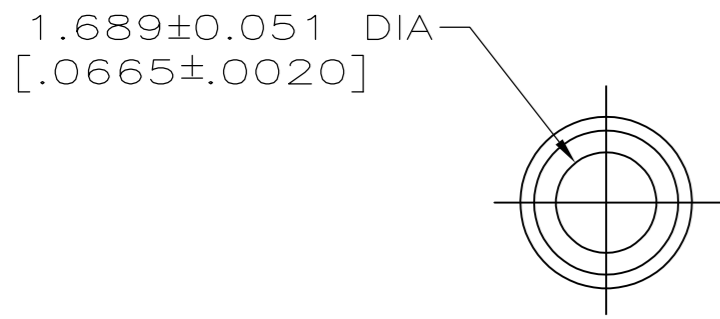


THIS DRAWING IS UNPUBLISHED. RELEASED FOR PUBLICATION
 © COPYRIGHT - By - ALL RIGHTS RESERVED.

LOC	DIST	REVISIONS			
P	LTR	DESCRIPTION	DATE	DWN	APVD
FT	47	D2	REVISED PER ECO-11-004820	11MAR11	RK HMR



SECTION A-A



SECTION B-B

- ① 0.76µm [.000030] MIN GOLD PER MIL-G-45204 ON MATING END FOR A LENGTH OF 5.08 [.200] MIN WITH GOLD FLASH ON THE REMAINDER OVER 0.76µm [.000030] MIN NICKEL PER QQ-N-290.
- ② 1.27µm [.000050] MIN TIN-LEAD PER MIL-T-10727 OVER 0.76µm [.000030] MIN NICKEL PER QQ-N-290.
- ③ 0.76µm [.000030] MIN GOLD PER MIL-G-45204 ON MATING END FOR A LENGTH OF 5.08 [.200] MIN WITH A UNIFORM GRADIENT TO 0.25µm [.000010] MIN GOLD PER MIL-G-45204 ON THE REMAINDER OVER 0.76µm [.000030] MIN NICKEL PER QQ-N-290.
- ④ 0.38µm [.000015] MIN GOLD PER MIL-G-45204 ON MATING END FOR A LENGTH OF 5.08 [.200] MIN WITH GOLD FLASH ON THE REMAINDER OVER 0.76µm [.000030] MIN NICKEL PER QQ-N-290.
- ⑤ GOLD PLATING NOT REQUIRED IN THIS AREA.
- 6. WIRE RANGE 26-24 AWG.
INSULATION RANGE 0.89 [.035]-1.40 [.055].
- ⑦ 0.38µm [.000015] MIN GOLD PER MIL-G-45204 ON MATING END FOR A LENGTH OF 5.08 [.200] MIN, 1.27µm [.000050] MIN TIN-LEAD PER MIL-T-10727 FOR A LENGTH OF 5.69 [.224] MIN ON OPPOSITE END, BOTH OVER 1.27µm [.000050] MIN NICKEL PER QQ-N-290 ON ENTIRE CONTACT.
- ⑧ 1.27µm [.000050] MIN TIN PER MIL-T-10727 OVER 0.76µm [.000030] MIN NICKEL PER QQ-N-290.
- ⑨ OBSOLETE PARTS: OBSOLETE CIS STREAMLINING PER D.RENAUD/D.SINISI

PACKAGING TYPE	BODY FINISH	STRIP P/N REF	PART NO
SMALL PACK	⑧	1-66108-7	1-66109-8
STANDARD	⑧	66108-2	1-66109-7
SMALL PACK	①	66108-4	1-66109-6
SMALL PACK	②	66108-2	1-66109-5
⑨ OBSOLETE OBSOLETE SMALL PACK	③	66108-1	1-66109-4
STANDARD	⑦	1-66108-4	1-66109-3
STANDARD	①	66108-4	66109-4
STANDARD	④	66108-3	66109-3
STANDARD	②	66108-2	66109-2
STANDARD	③	66108-1	66109-1

THIS DRAWING IS A CONTROLLED DOCUMENT.

DWN	L.SIPE	06/02/92
CHK	W.LENKER	6-11-92
APVD	G.STEINHAUER	7-8-92

TE Connectivity

SOCKET ASSEMBLY, LOOSE PIECE, TYPE III+

SIZE	CAGE CODE	DRAWING NO	RESTRICTED TO
A2	00779	C-66109	-

CUSTOMER DRAWING SCALE 8:1 SHEET 1 OF 1 REV D2