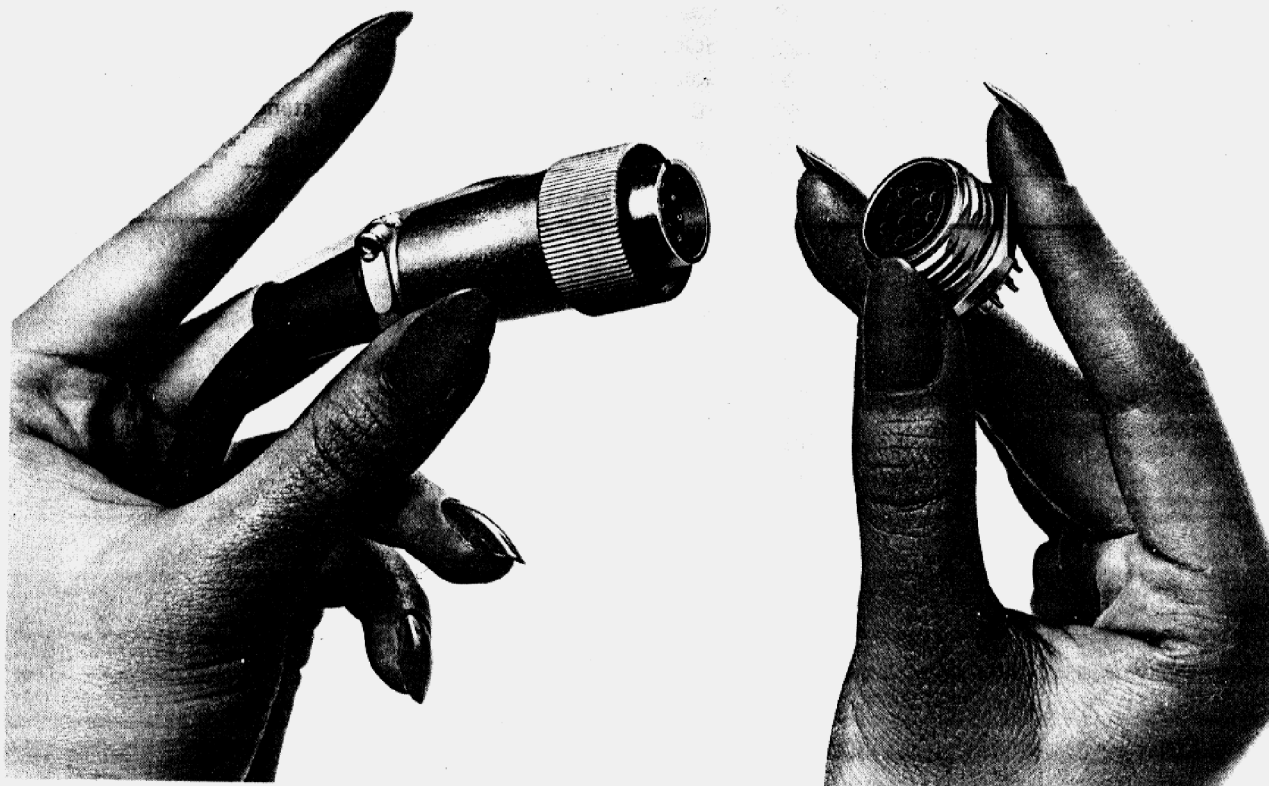


# RM15T SERIES SHELL SIZE 15mm VIDEO CONNECTORS

RM15T series are standard connectors for video equipment which Hirose has developed for major video industries. Their reputation is secure among all video equipment manufacturers. We are pleased to introduce here new types of plug, receptacle, and jacks in addition to the conven-

tional soldering type. We believe that Hirose is the only source to supply a full range of circular video connectors to meet your updated design. Please refer to the line up of Hirose RM15T series shown in the table next page.



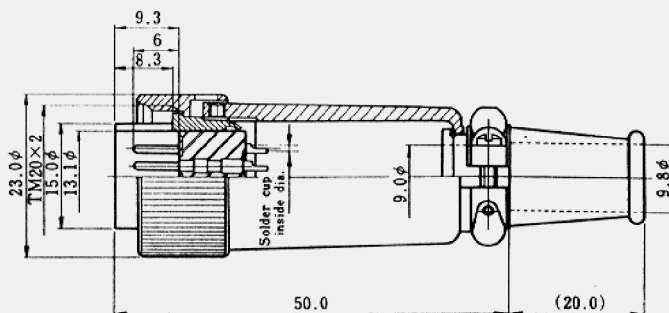
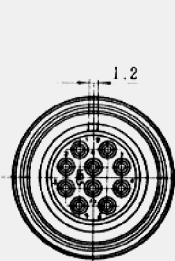
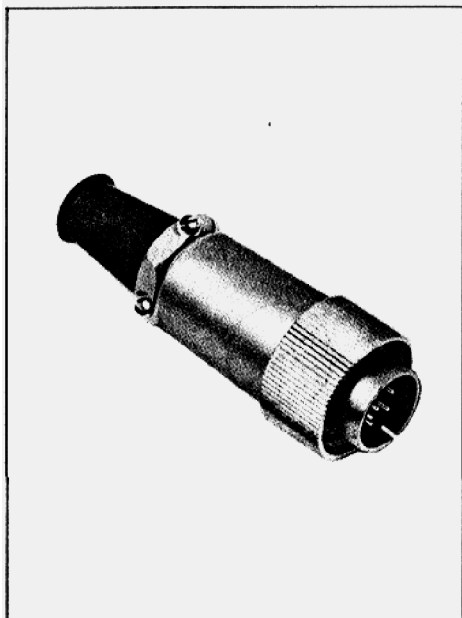
## Specification

- Operating Voltage: AC350V, DC490V
- Current Rating: 5A
- Insulation Resistance: 1000M $\Omega$  MIN. at DC500V
- Contact Resistance: 14m $\Omega$  MAX. at DC1A
- Withstanding Voltage: AC1000V for a minute
- Insertion & Extraction Force:
  - 10g MIN. per contact and 5Kg MAX. per connector
- Humidity: MIN. 10M $\Omega$  in high humid and 100M $\Omega$  in dry condition at 40°C, 90%, and 96 hours
- Temperature Cycling: -55°C to +85°C
- Durability: 20m $\Omega$  MAX. after 1000 time insertion and extraction
- Applicable Cable Dia.: 8m/m MAX.

## Line Up of RM15T Series

FUNCTION	PART NO.	REMARKS
Plug	RM15TPD-10P	Standard 10 pin with pin insert
	RM15TPD-10S	Standard 10 pin with socket insert
	RM15TPD-12P	Soldering 12 pin with pin insert
	RM15TPD-12S	Soldering 12 pin with socket insert
	RM15TPD-10PC	10 pin with crimp type male housing in standard body
	RM15TPN-10PC	10 pin with crimp type male housing in short body
Receptacle	RM15TRD-10S	Standard 10 pin with socket insert
	RM15TRD-10P	Standard 10 pin with pin insert
	RM15TRD-12S	Soldering 12 pin with socket insert
	RM15TRD-12P	Soldering 12 pin with pin insert
	RM15TRD-10SC	Crimp type 10 pin female housing
	RM15TRD-10SB	10 pin with long female dip soldering post
	RM15TRD-10SD	10 pin with short female dip soldering post
Plug-Receptacle	RM15TPRG-10P	10 pin receptacle with pin insert and coupling
Jack	RM15TJD-10S	Standard 10 pin with socket insert
	RM15TJD-10P	Standard 10 pin with pin insert
	RM15TJD-12S	Soldering 12 pin with socket insert
	RM15TJD-12P	Soldering 12 pin with pin insert
	RM15TJD-10SC	10 pin crimp type female housing in standard body
	RM15TJN-10SC	10 pin crimp type female housing in short body

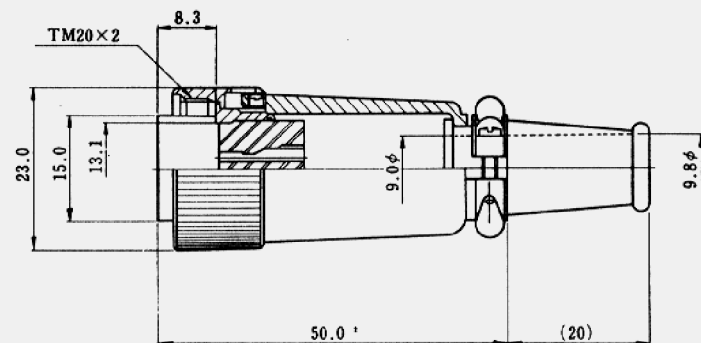
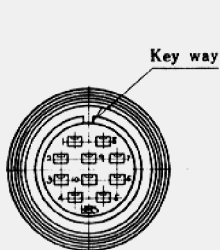
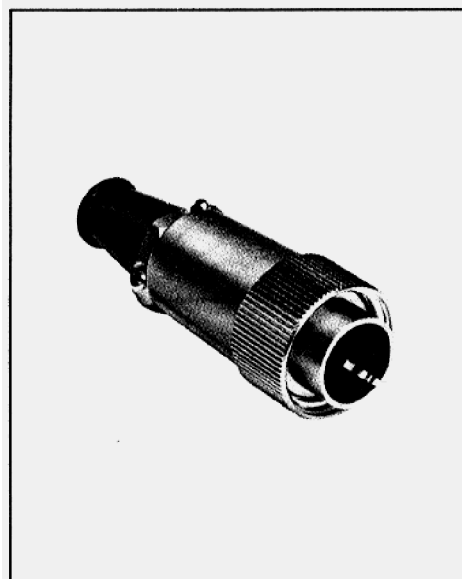
mm



RM15TPD-10P

No. of pins	Part No.	Termination
10	RM15TPD-10P RM15TPD-10S	Soldering
12	RM15TPD-12P RM15TPD-12S	

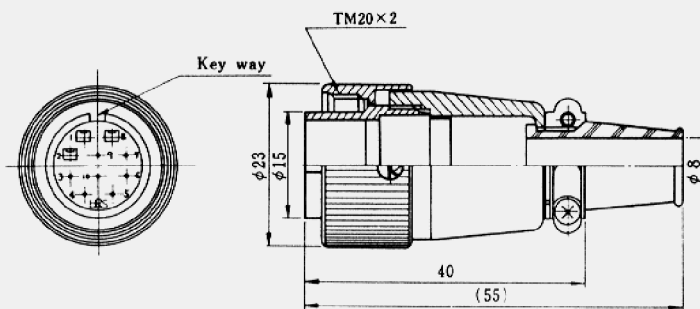
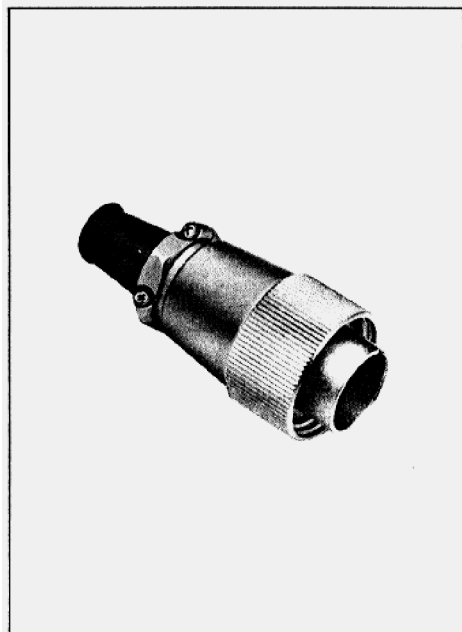
mm



RM15TPD-10PC

No. of pins	Part No.	Termination
10	RM15TPD-10PC	Crimping

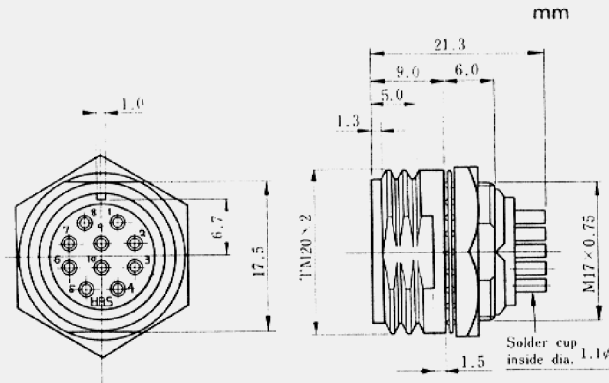
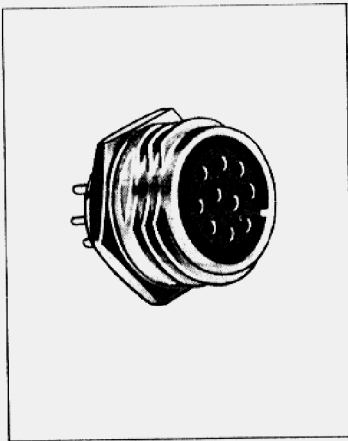
mm



RM15TPN-10PC

No. of pins	Part No.	Termination
10	RM15TPN-10PC	Crimping

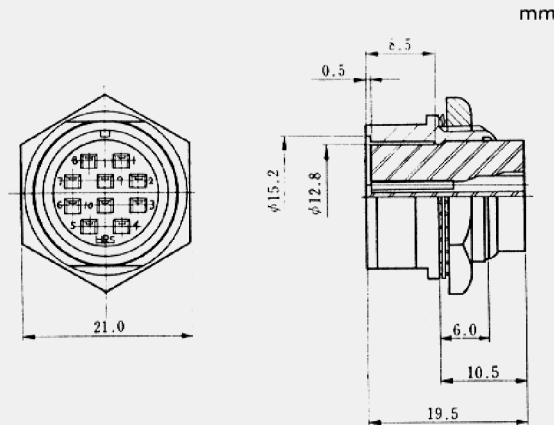
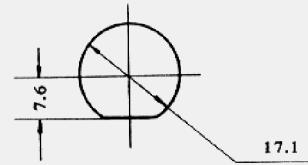
# Receptacle



RM15TRD-10S

No. of pins	Part No.	Termination
10	RM15TRD-10S RM15TRD-10P	Soldering
12	RM15TRD-12S RM15TRD-12P	

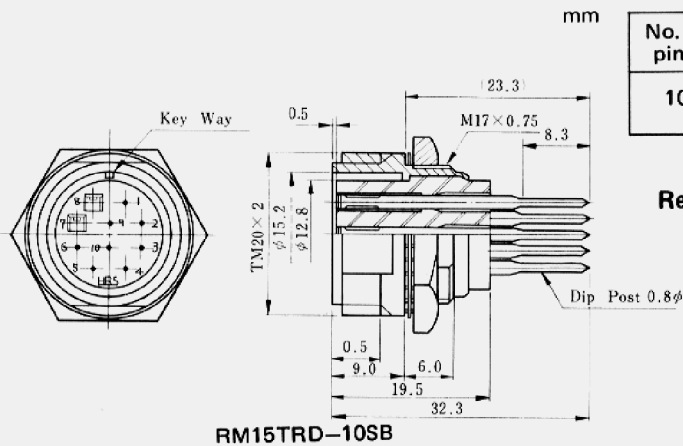
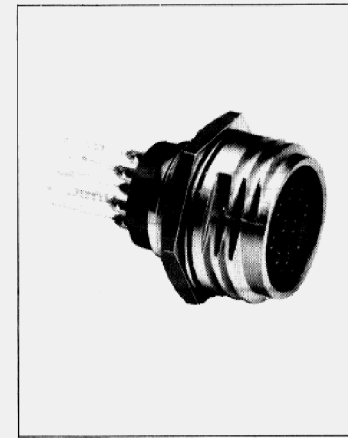
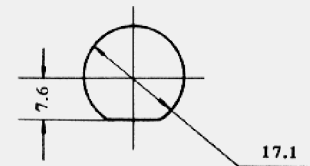
Recommended mounting hole



RM15TRD-10SC

No. of pins	Part No.	Termination
10	RM15TRD-10SC	Crimping

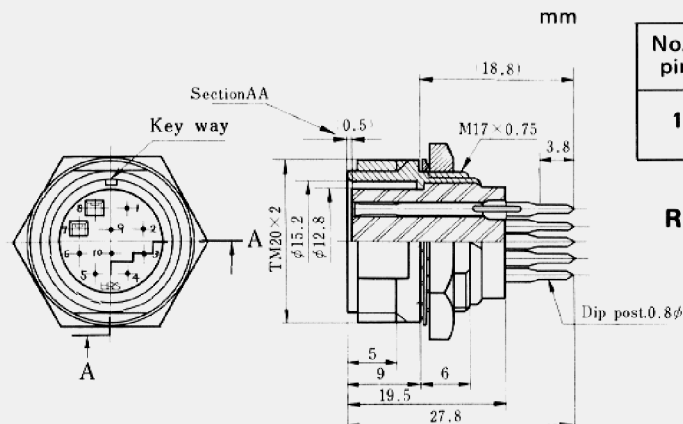
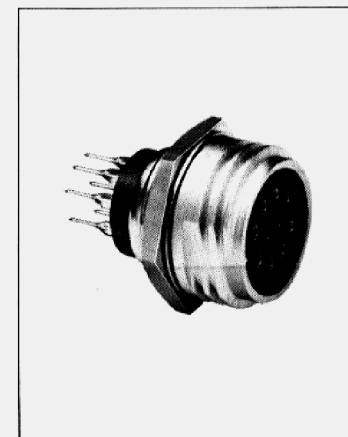
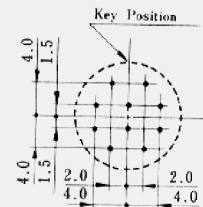
Recommended mounting hole



RM15TRD-10SB

No. of pins	Part No.	Termination
10	RM15TRD-10SB	Dip soldering

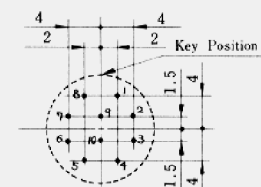
Recommended mounting hole



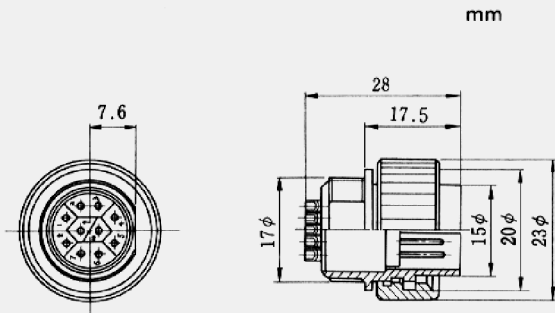
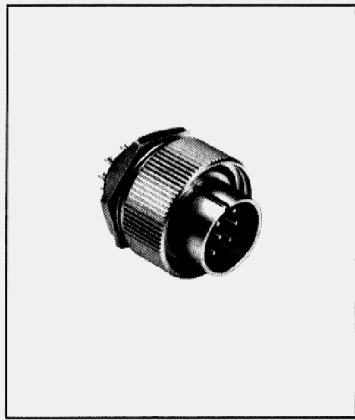
RM15TRD-10SD

No. of pins	Part No.	Termination
10	RH15TRD-10SD	Dip soldering

Recommended mounting hole

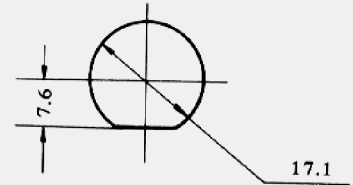


# Plug-Receptacle



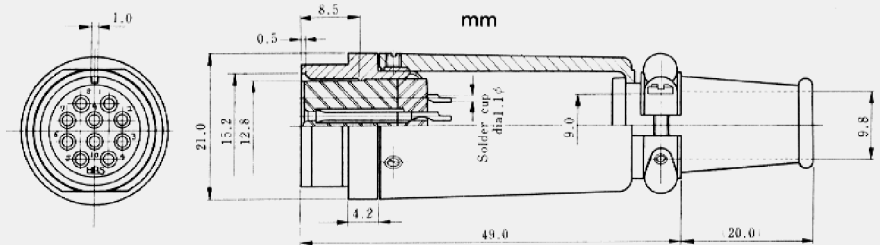
No. of pins	Part No.	Termination
10	RM15TPRG-10P	Soldering

Recommended mounting hole



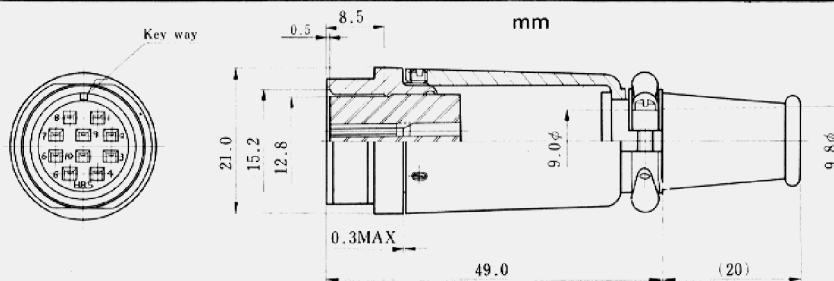
RM15TPRG-10P

# Jack (for extension cable)



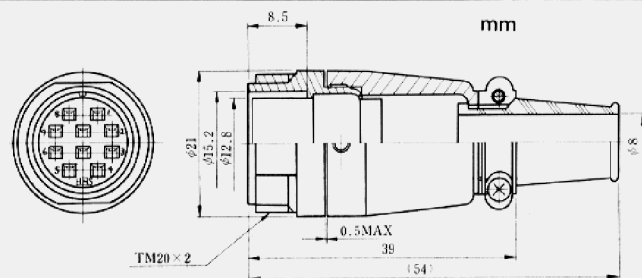
No. of pins	Part No.	Termination
10	RM15TJD-10S RM15TJD-10P	Soldering
12	RM15TJD-12S RM15TJD-12P	

RM15TJD-10S



No. of pins	Part No.	Termination
10	RM15TJD-10SC	Crimping

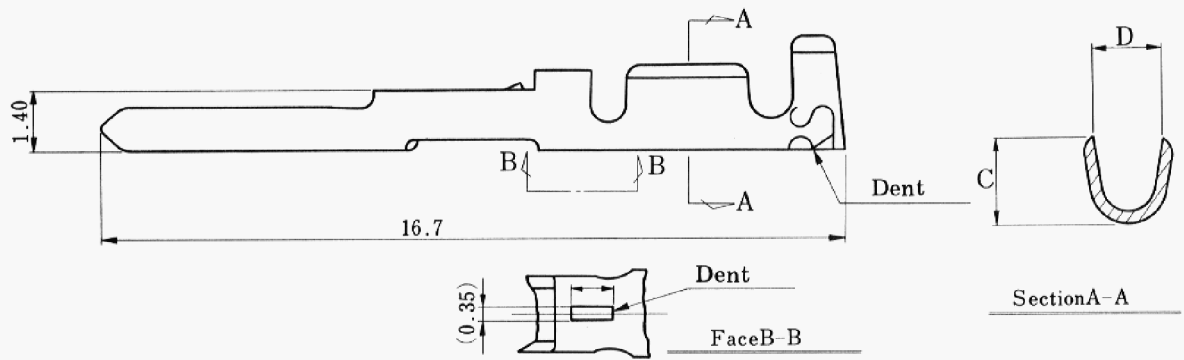
RM15TJD-10SC



No. of pins	Part No.	Termination
10	RM15TJN-10SC	Crimping

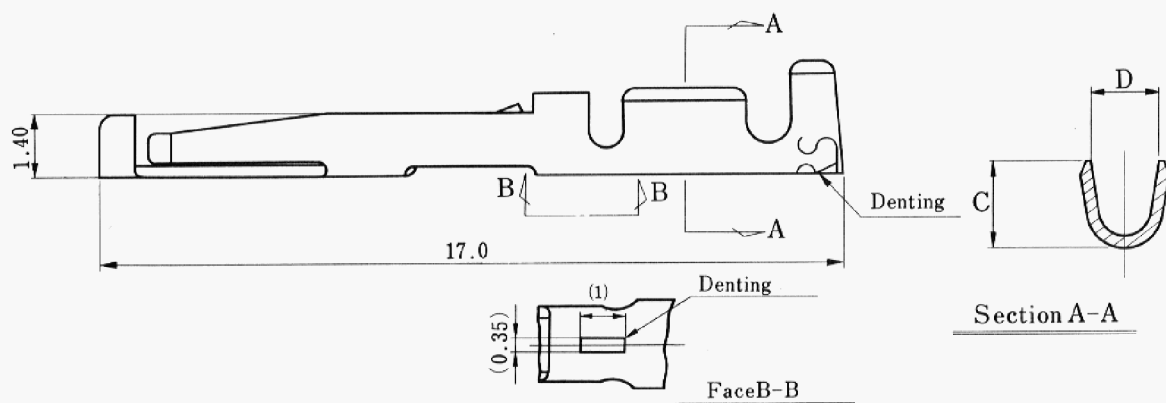
RM15TJN-10SC

## Crimp Pin Contact



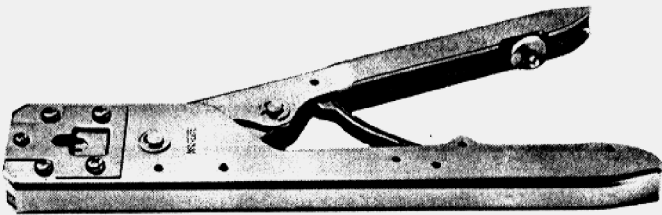
Part No.	C	D	Face "B-B"	Applicable cable	Applicable crimp tool	Applicable removal tool	Type	Packing
RM-PC-112	2.0	1.6	Square dent	AWG24-20	RM-TC-11	RM-TP	Loose contact	100 pins per bag
RM-PC-122	1.5	1.45	—	AWG28-24	RM-TC-12			
RM-PC-212	2.0	1.6	Square dent	AWG24-20	CM-105 (Auto)		Chain contact	8,000 pins per roll
RM-PC-222	1.5	1.45	—	AWG28-24				

## Crimp Socket Contact



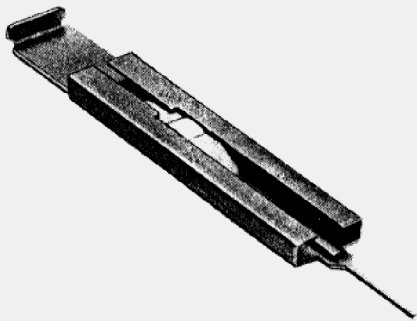
Part No.	C	D	Face "B-B"	Applicable cable	Applicable crimp tool	Applicable removal tool	Type	Packing
RM-SC-112	2.0	1.6	Square dent	AWG24-20	RM-TC-11	RM-TP	Loose contact	100 pins per bag
RM-SC-122	1.5	1.45	-	AWG28-24	RM-TC-12			
RM-SC-212	2.0	1.6	Square dent	AWG24-20	CM-105 (Auto)		Chain contact	8,000 pins per roll
RM-SC-222	1.5	1.45	-	AWG28-24				

Hand Crimp Tool

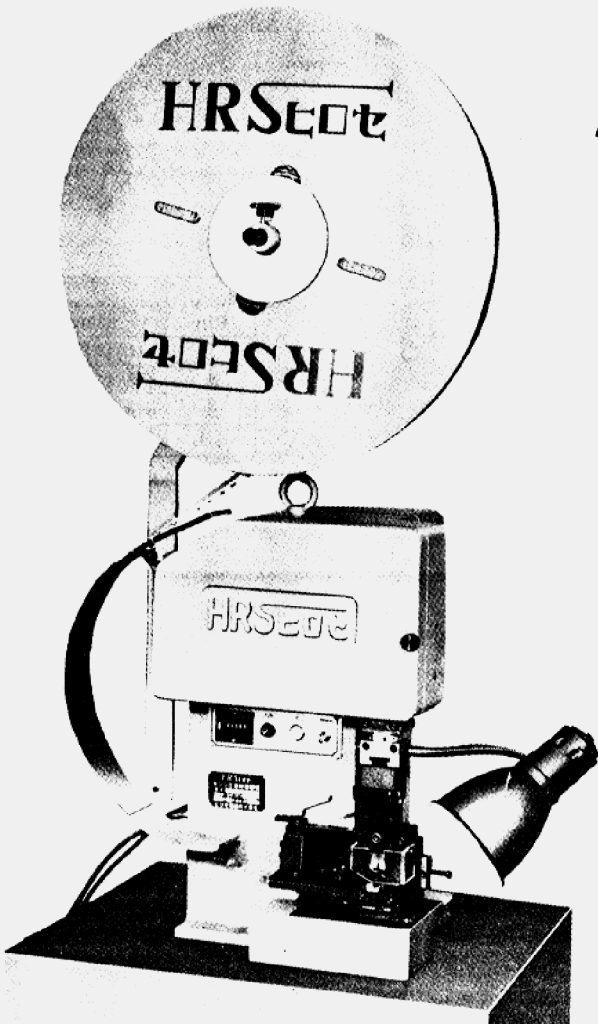


Applicable cable	Part No.
AWG24-20	RM-TC-11
AWG28-24	RM-TC-12

Contact Removal Tool



Part No.
RM-TP



Automatic Crimp Tool

Model No.
CM-105

Capacity: 2000~4000  
pin/hour  
Weight: 100kgs