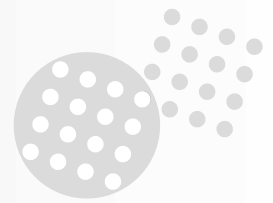


# MBG - Bantamate II 5000



## Plastic connector with quick mating feature

### Description

The BANTAMATE II cylindrical plastic connector has been designed for use in applications requiring a high number of mating cycles and rapid connections and disconnections.

BANTAMATE II meets minimum durability requirements of **5000 mating/unmating cycles** by using a unique contact wiping system consisting of a lubricant saturated foam pad bonded to a spring loaded stripper plate within the receptacle or plug. On mating, the stripper plate is pushed deep into the connector wiping a thin film of lubricant onto the male contacts. A distinctive shape provides mating ease in blind or difficult to reach applications. Some typical applications would include test equipment, medical diagnostic equipment, or any of the hardware interconnections found in the modern electronic office.

### Features and benefits

- 5000 mating / unmating cycles
- Lubricated male contacts with spring actuated foam plate
- Quick and easy installation with latching mechanism
- Easy mating due to the positive polarisation, even in blind spots
- Unmated male contacts are protected by the spring actuated plate
- Available with 4, 12, 19, 30, and 46 contact positions.
- Applicable for front or rear panel mounting as well as free hanging applications
- UL recognised File number E31151
- CSA certified LR54977



### Performance characteristics

Operating temperature:	-55°C to +125°C
Insulation resistance:	5000 MΩ min.
Test potential:	2000 VAC
Durability:	Min. 5000 matings cycles
Vibration resistance:	5-50Hz, 0,5 dA; 8 hours axis
Thermal shock:	5 cycles -55°C to +105°C
Humidity:	10 days at 85% RH, +85°C

### Construction

Connector body and strain relief:	Glass filled thermoplast UL94-V0
	Colour: black
Locking latch and hook:	Stainless steel, passivated
Compression Spring:	Music wire, Nickel plated
Lubricating pad:	Polyurethane foam
Rivet:	Brass, Tin plated
Strain relief screws:	Steel, Cadmium plated

### Contact accommodation

- “MBG” connectors accept Trim-Trio removable snap-lock contacts (see contact section)
- Contacts to be ordered separately.

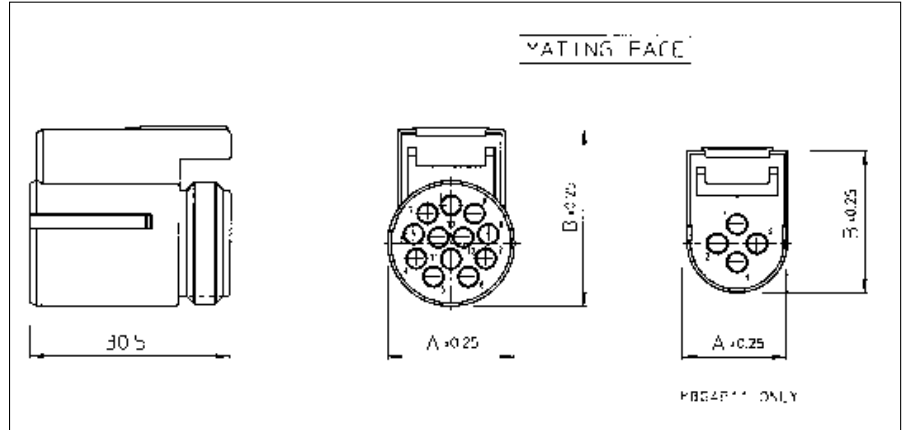
## How to order

Connector family	MBG	12	P	1
Insert arrangement:	4, 12, 19, 30, 46 positions			
Body variation:	<b>P:</b> Plug body <b>R:</b> Receptacle body <b>S:</b> Strain relief			
Design variation:	<b>1:</b> Standard version with male contacts in receptacle <b>11:</b> Reversed version with male contacts in plug			

# MBG - Bantamate II 5000

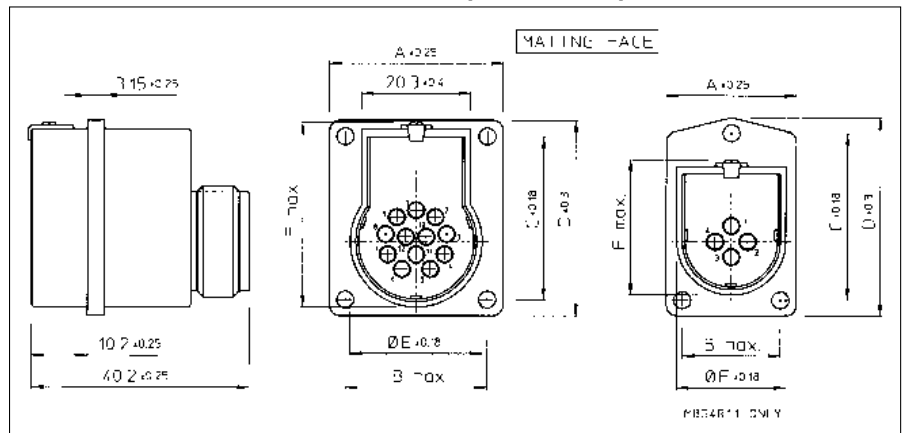


Female plug connector for socket contacts (MBG--P1) - Standard version  
 Male plug connector for pin contacts (MBG--P11) - Reversed version



Female plug	Part number	Male plug	$\varnothing A \pm 0.25$	$B \pm 0.25$
MBG4P1		MBG4P11	15.08	21.90
MBG12P1		MBG12P11	19.43	27.25
MBG19P1		MBG19P11	22.83	30.53
MBG30P1		MBG30P11	27.94	35.51
MBG46P1		MBG46P11	34.42	41.91

Panel mounting male receptacle connector for pin contacts (MBG--R1) - Standard version  
 Panel mounting female receptacle connector for socket contacts (MBG--R11) - Reversed version

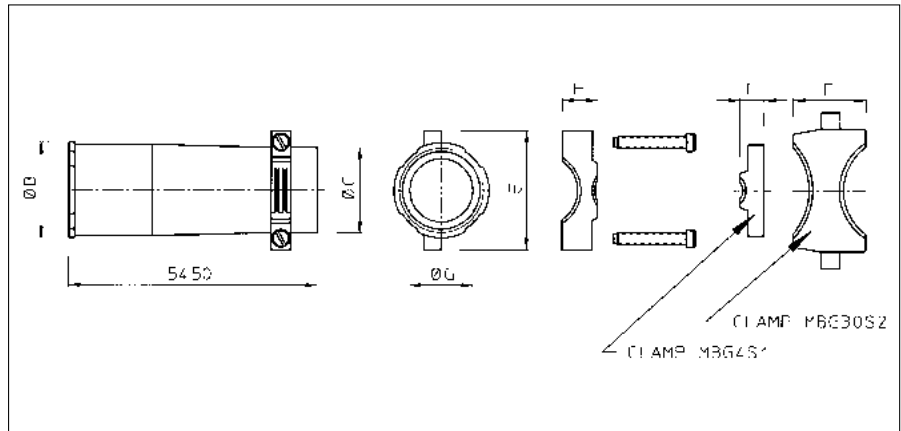


Female plug	Part number	Male plug	$\varnothing A \pm 0.25$	B max.	$C \pm 0.18$	$D \pm 0.30$	$\varnothing E \pm 0.18$	F max.
MBG4R1		MBG4R11	23.90	18.08	31.45	37.36	20.07	29.46
MBG12R1		MBG12R11	32.49	26.54	30.76	36.86	24.64	34.93
MBG19R1		MBG19R11	32.44	26.54	34.04	40.13	27.86	38.10
MBG30R1		MBG30R11	35.61	28.65	38.00	44.91	33.10	43.31
MBG46R1		MBG46R11	42.24	35.13	46.94	54.05	39.70	49.61

# MBG - Bantamate II 5000

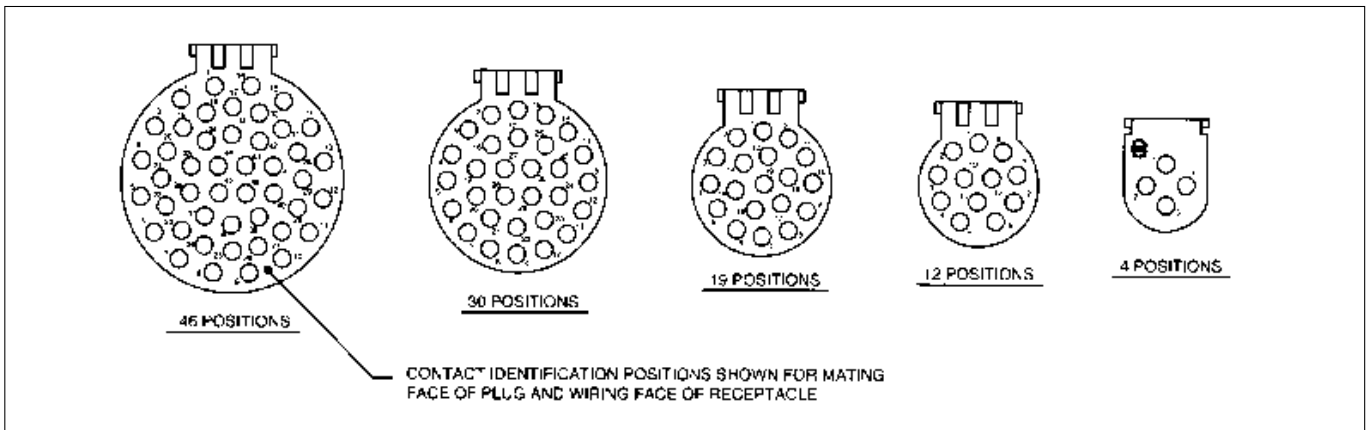


## Strain relief (MBG--S1)



Part number	Ø C	Ø D	E	F	Cable range Ø G side A	Cable range Ø G side B
MBG4S1	12.2	15.0	20.1	5.3	8.51/6.35	–
MBG12S1	18.8	21.1	26.4	7.9	11.30/7.65	14.99/11.38
MBG19S1	21.3	24.4	29.0	9.4	13.08/8.66	17.53/13.12
MBG30S1	26.7	29.0	34.5	16.3	19.02/15.88	22.86/19.05
MBG30S2	26.7	29.0	34.5	15.9	12.67/10.01	15.85/12.70
MBG46S1	Not available					

## Insert arrangements and moulded-in contact identification

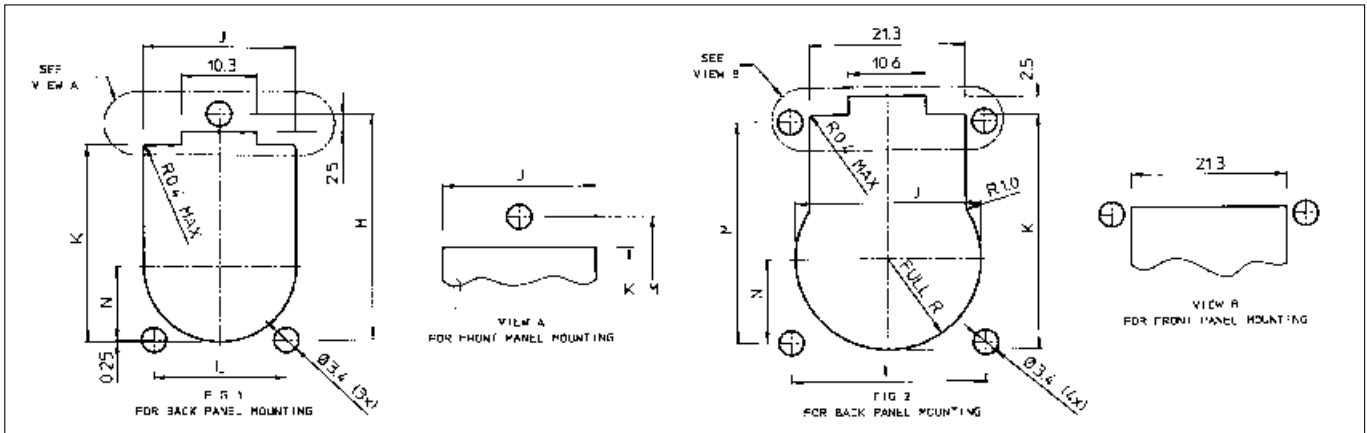


Contact identification positions shown are for mating face of plug and wiring face of receptacle.

# MBG - Bantamate II 5000

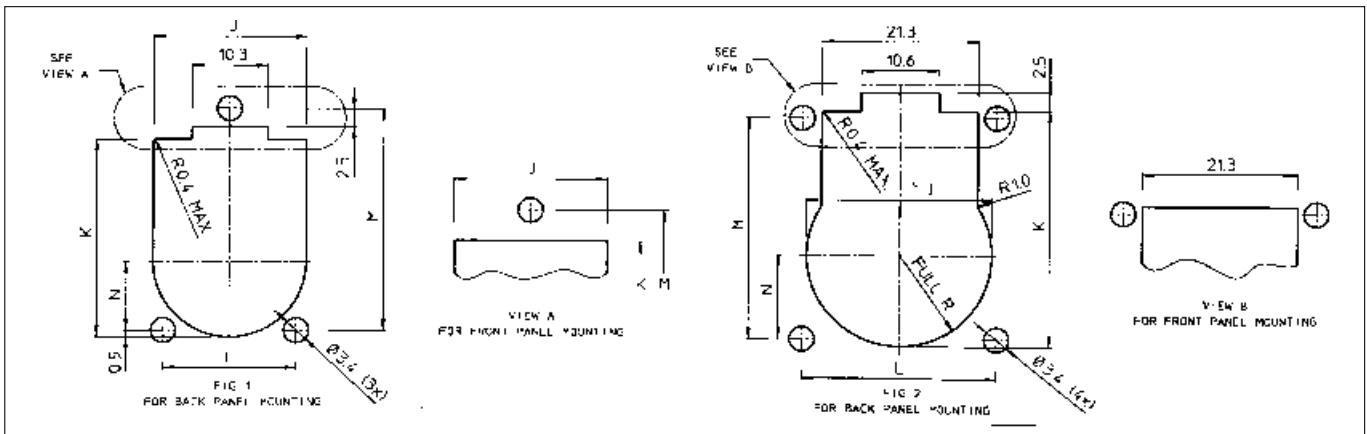


## Panel cut-out dimensions for receptacle - Standard version (MBG--R1)



Part number	Fig.	J	K	L	M	N
MBG4R1	1	20.86	27.41	18.08	31.45	10.16
MBG12R1	2	25.30	32.74	26.54	30.76	11.65
MBG19R1	2	28.50	35.89		34.04	13.32
MBG30R1	2	33.73	40.97	28.65	38.00	15.49
MBG46R1	2	40.36	47.22	35.13	46.94	18.85

## Panel cut-out dimensions for receptacle - Reversed version (MBG--R11)



Part number	Fig.	J	K	L	M	N
MBG4R11	1	20.86	27.41	18.08	31.45	10.16
MBG12R11	2	25.30	32.74	26.54	30.76	11.65
MBG19R11	2	28.50	35.89		34.04	13.32
MBG30R11	2	33.73	40.97	28.65	38.00	15.49
MBG46R11	2	40.36	47.22	35.13	46.94	18.85