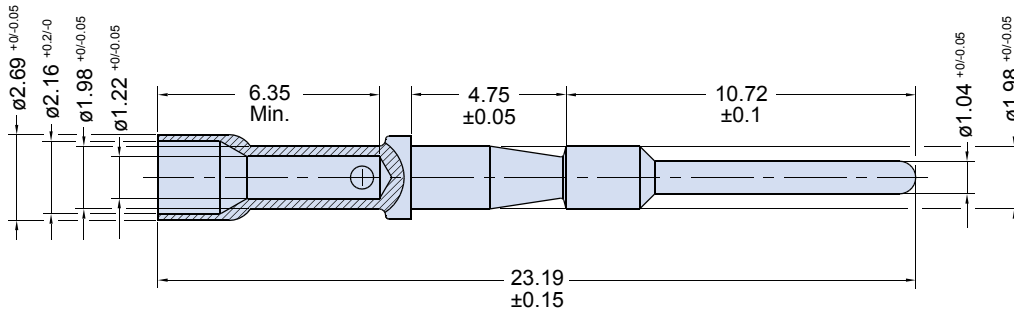


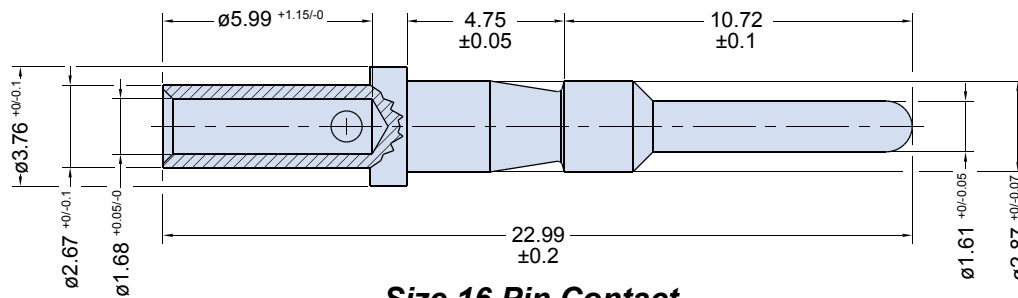
Crimp Contact Dimensions Pin and Socket



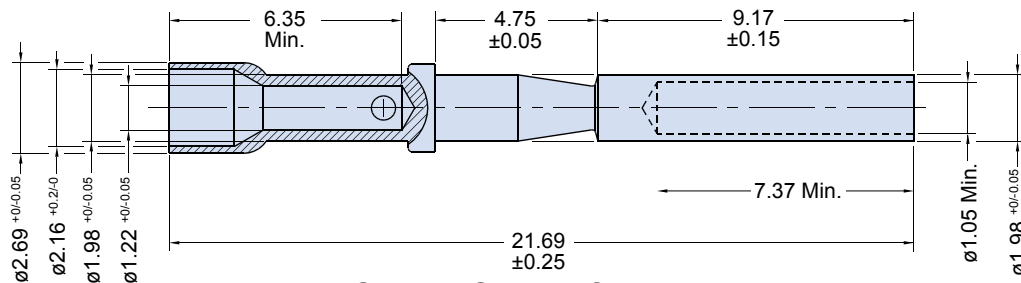
IPT SE Series
Bayonet Lock
Connectors



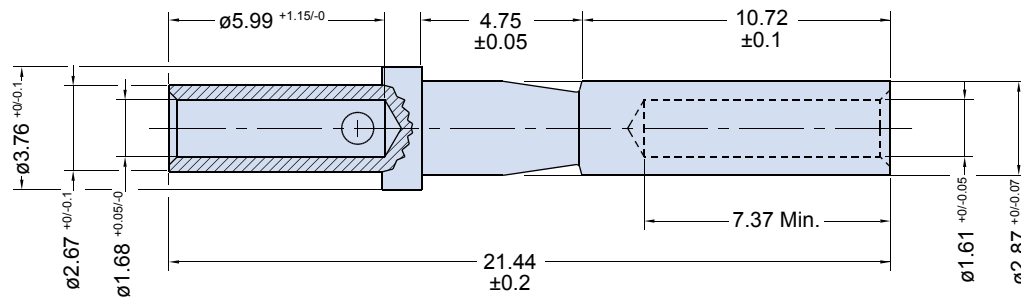
Size 20 Pin Contact
10-314980-20P



Size 16 Pin Contact
10-314980-16P



Size 20 Socket Contact
10-314980-20S



Size 16 Socket Contact
10-314980-16P