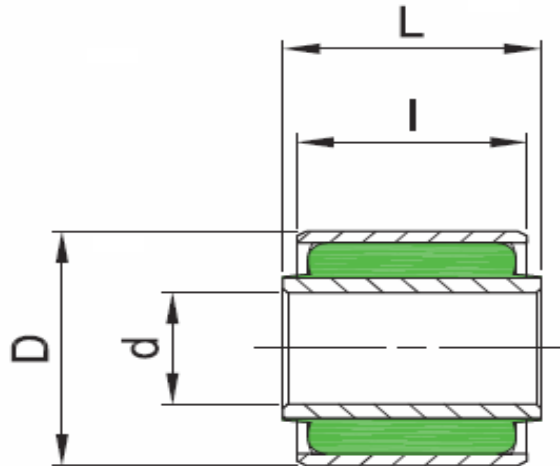
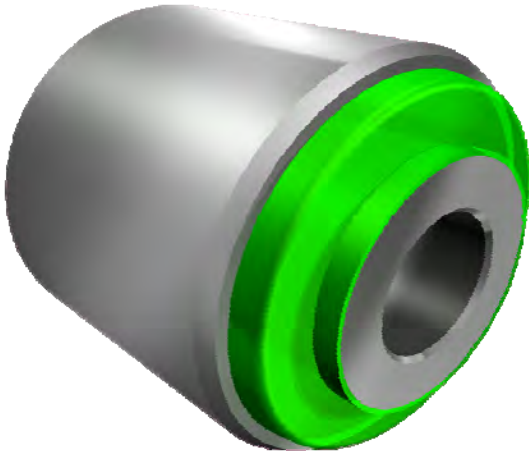


Bushes - Semi-Bonded - Type FBNS

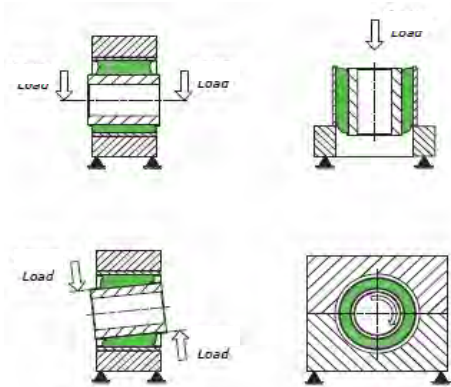


INSIDE DIAMETER (d) TOLERANCES

from	8 mm	to	15 mm	-0 / +0,15
from	16 mm	to	25 mm	-0 / +0,3
from	26 mm	to	50 mm	-0 / +0,4
over	51 mm	to be defined		

OUTSIDE DIAMETER (D) TOLERANCES

from	16 mm	to	30 mm	-0 / +0,1
from	31 mm	to	70 mm	-0 / +0,15
from	71 mm	to	100 mm	-0 / +0,2
over	101 mm	to be defined		



The FBNS Range of Bushes are designed to eliminate high frequencies whilst supporting significant loads under operation.

This is achieved through elastic deformation of the Rubber under the effect of the external forces being applied to the metal tubes.

The Bushes are manufactured with the Rubber bonded to the Inner Bush and then assembled into the Outer Bush, which facilitates slight differences in the movement of the Inner and Outer Bush.

RS Ref:	Fibet Ref:	d	D	l	L	RADIAL		AXIAL		TORSIONAL		CONICAL	
						Stiffness (daN/mm)	Deflection Max. (mm)	Stiffness (daN/mm)	Deflection Max. (mm)	Stiffness (Nm/Deg)	Angle Max (Deg)	Stiffness (Nm/Deg)	Angle Max (Deg)
298-2881	FBNS0820.1421NR	8.2	20.0	14.0	21.0	111	0.2	20	0.2	0.24	30.0	0.2	7.0
298-2897	FBNS1022.2023	10.0	22.0	20.0	23.0	612	0.4	54	0.6	0.75	20.0	1.7	1.0
301-1362	FBNS1030.4549	10.0	30.0	45.0	49.0	1114	0.7	98	0.8	2.52	30.0	18.0	3.0
720-3379	FBNS1225.5054	12.0	25.0	50.0	54.0	3000	0.5	168	0.8	2.54	20.0	57.8	1.0
298-2904	FBNS1226.2024	12.0	26.0	20.0	24.0	351	0.5	42	0.8	0.88	30.0	1.0	7.0
298-2926	FBNS1228.3238	12.0	28.0	32.0	38.0	499	0.7	58	1.2	1.33	20.0	4.1	3.0
301-1384	FBNS1230.3444	12.0	30.0	34.0	44.0	218	0.7	171	3.8	1.64	15.0	6.1	2.0
301-1407	FBNS1232.3440	12.0	32.0	34.0	40.0	317	0.9	48	1.2	1.31	30.0	3.1	3.0
301-1435	FBNS1632.2528	16.0	32.0	25.0	28.0	869	0.5	77	0.6	2.52	20.0	4.0	5.0
301-1441	FBNS1834.3236	18.0	34.0	32.0	36.0	1099	0.6	94	0.8	3.42	20.0	8.6	3.0
301-1479	FBNS2044.3842	20.0	44.0	38.0	42.0	439	1.1	64	0.8	3.82	30.0	5.3	7.0