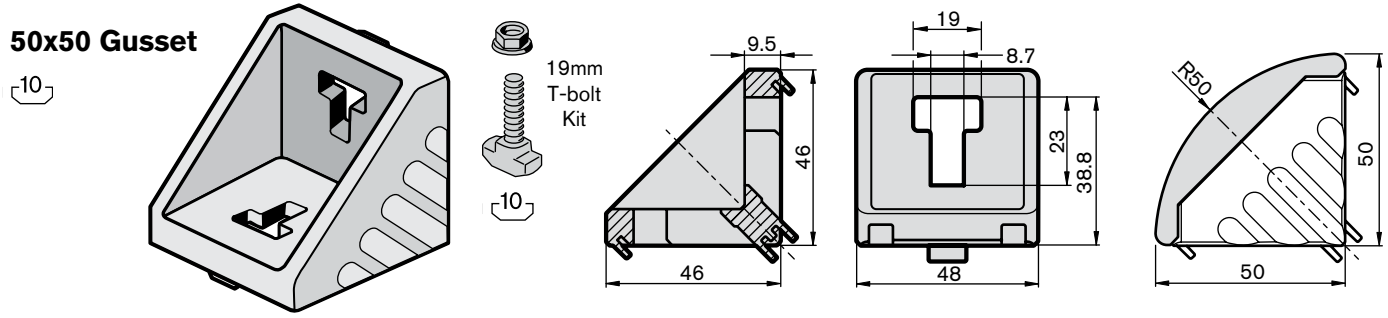

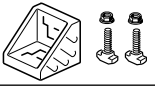




Section 3: Profile Connectors

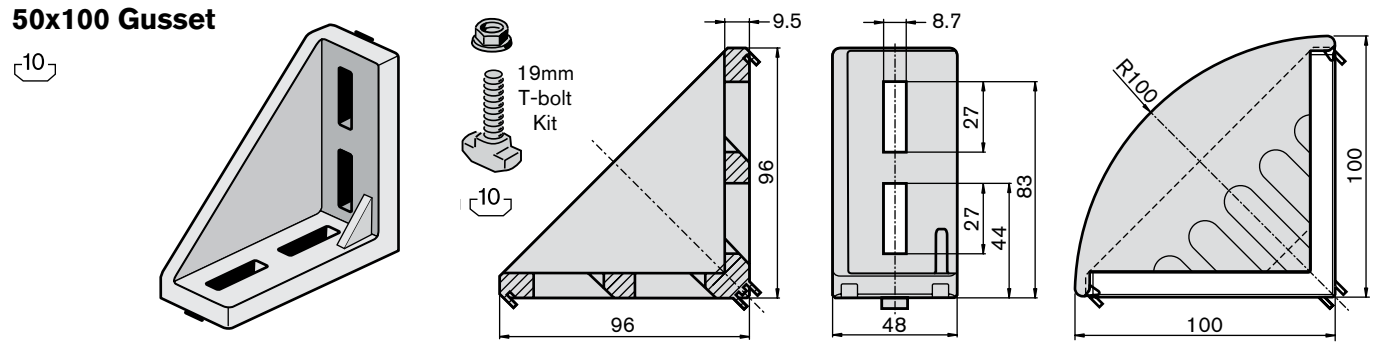
3


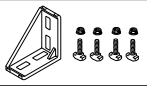
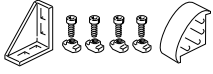

**50x50 Gusset**



Description	Lot Size	Part Number
50x50 gusset only 	1	<b>3 842 530 381</b>
50x50 gusset with fasteners 	1	<b>3 842 530 259</b>
50x50 gusset kit with fasteners (includes cover cap) <b>designLINE</b> 	1	<b>3 842 538 722</b>
50x50 round cover cap 	1	<b>3 842 530 383</b>

**50x100 Gusset**



Description	Lot Size	Part Number
50x100 gusset only 	1	<b>3 842 530 382</b>
50x100 gusset with fasteners 	1	<b>3 842 530 260</b>
50x100 gusset kit with fasteners (includes cover cap) <b>designLINE</b> 	1	<b>3 842 538 723</b>
50x100 round cover cap 	1	<b>3 842 530 384</b>