

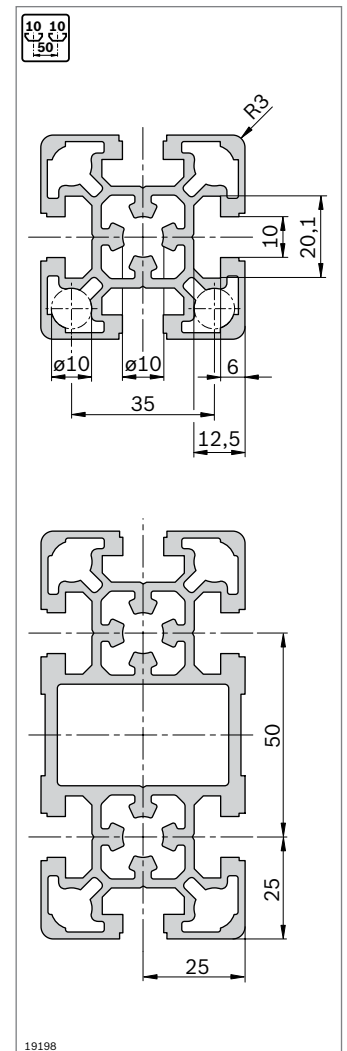
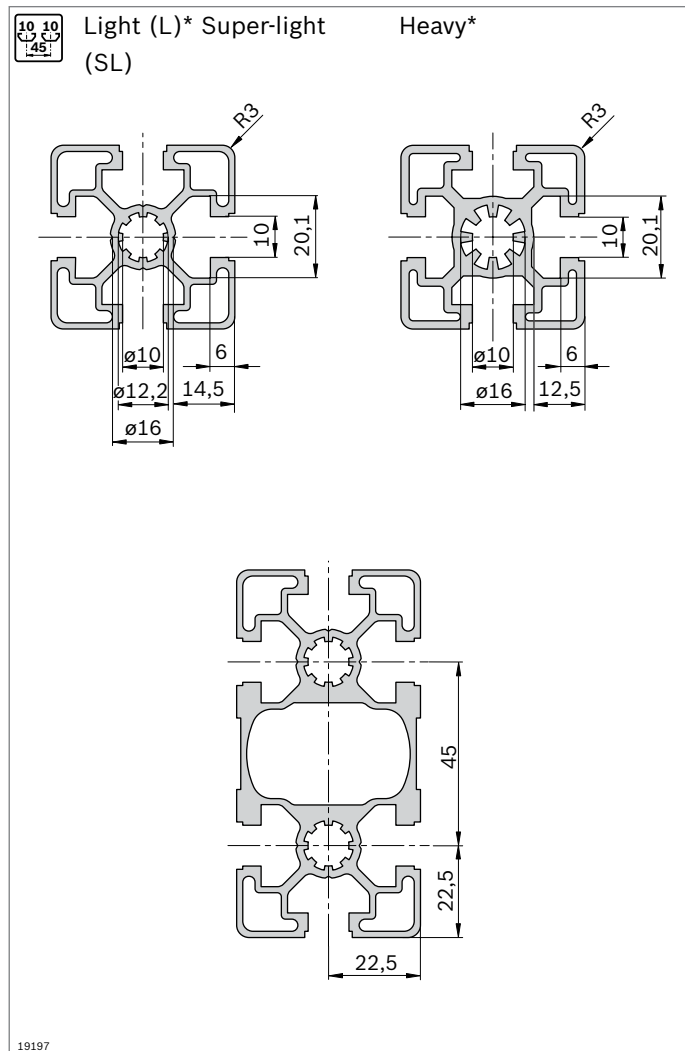
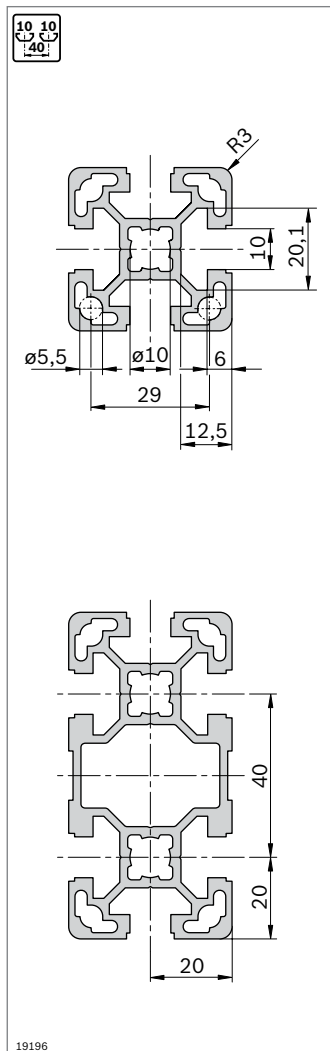
## Strut profiles with 10 mm slot

The Rexroth modular profile system, with 10 mm slots in the modular dimensions 40 mm, 45 mm, 50 mm, and 60 mm, caters for all the profile dimensions commonly found in the world market.

Thanks to their computer-optimized design, the strut profiles ...L with 10 mm slot (modular dimensions 40 mm,

45 mm, and 50 mm, e.g. 50x50L) combine high strength values with economical use of materials. This gives you a cost-effective and stable solution for the construction of tables, protection devices or frames, for instance.

### Slot, modular dimensions, central bore



\*) The following L-profiles have a "heavy" slot geometry:  
45x90x90L; 45x90x90L 4N; 90x90L; 90x90L 4N; 90x90L 4NVS; 90x180L

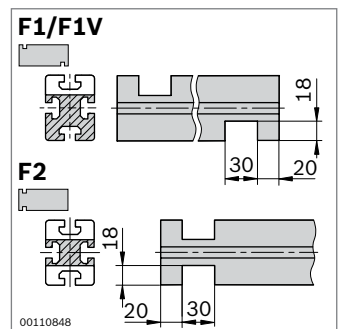
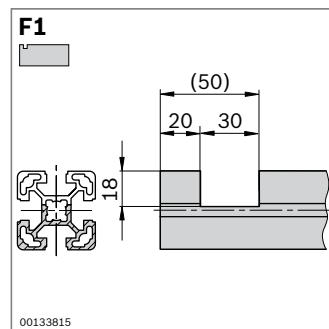
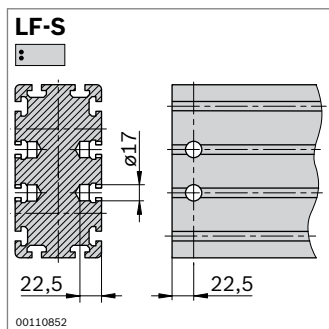
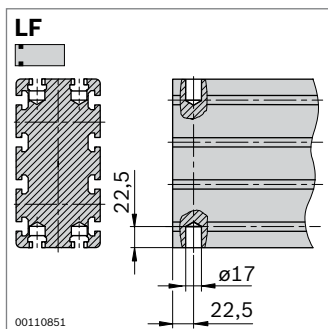
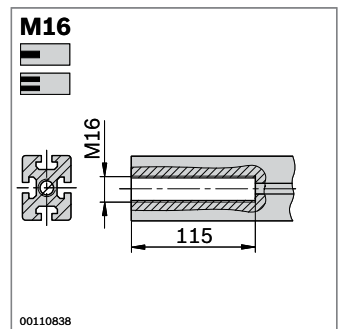
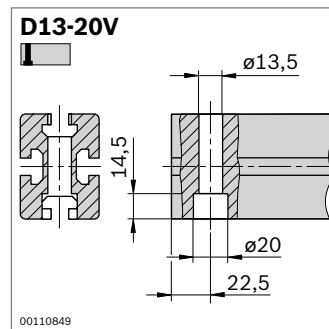
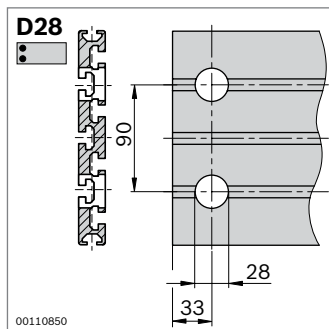
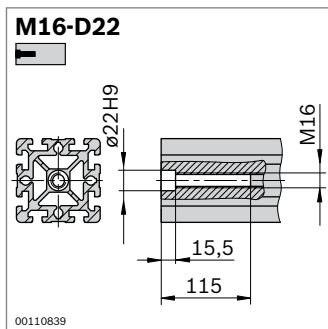
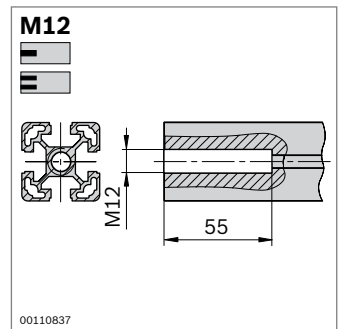
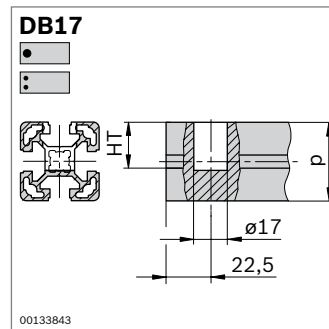
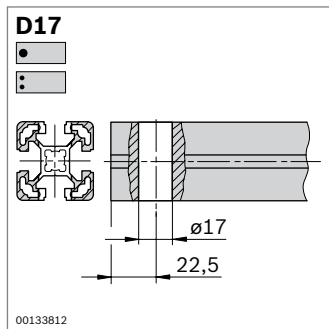
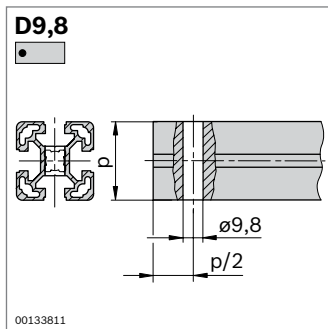
**Minimum profile lengths (mm) for Quick & Easy standard profile finishes on one or both sides**

	-	M12	M16	D9.8	D17/DB17	F1
-	50	60	120	50	60	60
M12	60	110	180	90	90	110
M16	120	180	240	150	170	170
D9.8	50	90	150	80	70	90
D17/DB17	60	90	170	70	80	90
F1	60	110	170	90	90	80

For applications with high loads we recommend profiles with the especially stable 10 mm slot e.g. for heavy work tables, fixtures, machine frames, transport shuttles, protective enclosures, and handling systems.

Due to its very sturdy design, this slot makes extremely strong connections possible.

**Profile finishing**



**45x90x90L 4N**

$A = 21,2 \text{ cm}^2$   
 $I_x = 160,8 \text{ cm}^4$   
 $I_y = 160,8 \text{ cm}^4$   
 $W_x = 30,6 \text{ cm}^3$   
 $W_y = 30,6 \text{ cm}^3$   
 $m = 5,95 \text{ kg/m}$

10 10  
145

29432

Cover cap: see 45x90x90L

**90x90SL**

$A = 14,1 \text{ cm}^2$   
 $I_x = 130,2 \text{ cm}^4$   
 $I_y = 130,2 \text{ cm}^4$   
 $W_x = 28,9 \text{ cm}^3$   
 $W_y = 28,9 \text{ cm}^3$   
 $m = 3,8 \text{ kg/m}$

10 10  
145

19442

Cover cap: see 90x90L

**90x90L**

$A = 24,1 \text{ cm}^2$   
 $I_x = 211,1 \text{ cm}^4$   
 $I_y = 211,1 \text{ cm}^4$   
 $W_x = 46,9 \text{ cm}^3$   
 $W_y = 46,9 \text{ cm}^3$   
 $m = 6,5 \text{ kg/m}$

10 10  
145

19443

Cover cap	Color	ESD	No.
90x90L (1x)	Signal grey		20 <b>3 842 548 758</b>
90x90L (1x)	Black		20 <b>3 842 548 759</b>
Material:	PP		

45x90x90L 4N	L (mm)	No.
8 units	6070	<b>3 842 547 827</b>

Quick & Easy (p. 2-8, see fold-out section)

45x90x90L 4N	3 842 993 764
Length L (mm)	50 ... 6070
Standard profile finishes (note minimum length, p. 2-25)	M12 / D9,8 / D17 / DB17 (A,B,C,F,G,H) <sup>1)</sup>
Customized profile finishes (L <sub>max</sub> = 5400 mm)	DI / DIS / MT / MTS / MI / MIS / DG <sup>2)</sup>

<sup>1)</sup> For the specified slots

<sup>2)</sup> DG<sub>max</sub> = 45°; L<sub>min1</sub> / L<sub>min2</sub> = 456 / 612 mm

90x90SL	L (mm)	No.
1 unit	50 ... 6000	<b>3 842 993 449 / L</b>
6 units	6070	<b>3 842 537 100</b>

Quick & Easy (p. 2-8, see fold-out section)

90x90SL	3 842 993 681 / ...
Length L (mm)	50 ... 6000
Standard profile finishes (note minimum length, p. 2-25)	M12 / D9.8 / D17 / DB17
Customized profile finishes (L <sub>max</sub> = 5400 mm)	DI / DIS / DG <sup>1)</sup>

<sup>1)</sup> DG<sub>max</sub> = 45°; L<sub>min1</sub> / L<sub>min2</sub> = 456 / 612 mm

90x90L	L (mm)	No.
1 unit	50 ... 5600	<b>3 842 992 415 / L</b>
1 unit M12	60 ... 5600	<b>3 842 992 416 / L</b>
1 unit M12 M12	110 ... 5600	<b>3 842 992 422 / L</b>
1 unit M12 D17	90 ... 5600	<b>3 842 992 423 / L</b>
1 unit D17	60 ... 5600	<b>3 842 992 417 / L</b>
1 unit D17 D17	80 ... 5600	<b>3 842 992 420 / L</b>
1 unit D17 D17V	80 ... 5600	<b>3 842 992 421 / L</b>
1 unit LF LF	80 ... 5600	<b>3 842 992 418 / L</b>
1 unit LF M12	90 ... 5600	<b>3 842 992 419 / L</b>
6 units	5600	<b>3 842 509 658</b>

Profile finishing:

- M12: in all central holes
- D17: in slots C/H, D/G
- D17V: in slots A/F, B/E
- LF: in slots C/H, D/G

Quick & Easy (p. 2-8, see fold-out section)

90x90L	3 842 993 680 / ...
Length L (mm)	50 ... 5600
Standard profile finishes (note minimum length, p. 2-25)	M12 / D9.8 / D17 / DB17
Customized profile finishes (L <sub>max</sub> = 4900 mm)	DI / DIS / MT / MTS / MI / MIS / DG <sup>1)</sup>

<sup>1)</sup> DG<sub>max</sub> = 45°; L<sub>min1</sub> / L<sub>min2</sub> = 456 / 612 mm

**90x90L 4N**

A = 24,2 cm<sup>2</sup>  
 I<sub>x</sub> = 227,4 cm<sup>4</sup>  
 I<sub>y</sub> = 214,7 cm<sup>4</sup>  
 W<sub>x</sub> = 50,5 cm<sup>3</sup>  
 W<sub>y</sub> = 47,7 cm<sup>3</sup>  
 m = 6,5 kg/m

19444

Cover cap: see 90x90L

90x90L 4N	L (mm)	No.
1 unit	50 ... 6000	<b>3 842 993 628 / L</b>
6 units	6070	<b>3 842 538 297</b>

Quick & Easy (p. 2-8, see fold-out section)

90x90L 4N	3 842 993 755 / ...
Length L (mm)	50 ... 5600
Standard profile finishes (note minimum length, p. 2-25)	M12 / D9.8 / D17 / DB17
Customized profile finishes (L <sub>max</sub> = 4900 mm)	DI / DIS / MT / MTS / MI / MIS / DG <sup>1)</sup>

<sup>1)</sup> DG<sub>max</sub> = 45°; L<sub>min1</sub> / L<sub>min2</sub> = 456 / 612 mm

**90x90L 4NVS**

A = 24,2 cm<sup>2</sup>  
 I<sub>x</sub> = 220,9 cm<sup>4</sup>  
 I<sub>y</sub> = 220,9 cm<sup>4</sup>  
 W<sub>x</sub> = 49,2 cm<sup>3</sup>  
 W<sub>y</sub> = 49,2 cm<sup>3</sup>  
 m = 6,5 kg/m

19445

Cover cap: see 90x90L

90x90L 4NVS	L (mm)	No.
1 unit	50 ... 6000	<b>3 842 993 621 / L</b>
6 units	6070	<b>3 842 538 296</b>

Quick & Easy (p. 2-8, see fold-out section)

90x90L 4NVS	3 842 993 756 / ...
Length L (mm)	50 ... 5600
Standard profile finishes (note minimum length, p. 2-25)	M12 / D9.8 / D17 / DB17
Customized profile finishes (L <sub>max</sub> = 4900 mm)	DI / DIS / MT / MTS / MI / MIS / DG <sup>1)</sup>

<sup>1)</sup> DG<sub>max</sub> = 45°; L<sub>min1</sub> / L<sub>min2</sub> = 456 / 612 mm

**90x90**

A = 38,4 cm<sup>2</sup>  
 I<sub>x</sub> = 299,8 cm<sup>4</sup>  
 I<sub>y</sub> = 299,8 cm<sup>4</sup>  
 W<sub>x</sub> = 66,7 cm<sup>3</sup>  
 W<sub>y</sub> = 66,7 cm<sup>3</sup>  
 m = 10,4 kg/m

19446

Cover cap	Color	ESD	No.
90x90 (1x)	Signal grey	20	<b>3 842 548 760</b>
90x90 (1x)	Black	20	<b>3 842 548 761</b>

Material: PP

Cover cap with hole	Color	ESD	No.
90x90 (1x)	Signal grey	20	<b>3 842 548 814</b>
90x90 (1x)	Black	20	<b>3 842 548 815</b>

Material: PP

Notice: A quick connector cannot be used

90x90	L (mm)	No.
1 unit	50 ... 5600	<b>3 842 990 500 / L</b>
1 unit M16	120 ... 5600	<b>3 842 990 501 / L</b>
1 unit M16 M16	240 ... 5600	<b>3 842 990 502 / L</b>
1 unit M16 D17	170 ... 5600	<b>3 842 992 961 / L</b>
1 unit M16/D22	60 ... 5600	<b>3 842 992 373 / L</b>
1 unit M16/D22 M16/D22	120 ... 5600	<b>3 842 993 083 / L</b>
1 unit D17	60 ... 5600	<b>3 842 990 092 / L</b>
1 unit D17 D17	80 ... 5600	<b>3 842 990 093 / L</b>
1 unit D17 D17V	80 ... 5600	<b>3 842 990 094 / L</b>
1 unit LF LF	80 ... 5600	<b>3 842 993 082 / L</b>
1 unit F2	60 ... 5600	<b>3 842 990 505 / L</b>
1 unit F2 F2	110 ... 5600	<b>3 842 990 507 / L</b>
6 units	5600	<b>3 842 509 189</b>

Quick & Easy (p. 2-8, see fold-out section)

90x90	3 842 993 679 / ...
Length L (mm)	50 ... 5600
Standard profile finishes (note minimum length, p. 2-25)	M16 / D9.8 / D17 / DB17 / F1
Customized profile finishes (L <sub>max</sub> = 4900 mm)	DI / DIS / MT / MTS / MI / MIS / DG <sup>1)</sup>

<sup>1)</sup> DG<sub>max</sub> = 45°; L<sub>min1</sub> / L<sub>min2</sub> = 456 / 612 mm