

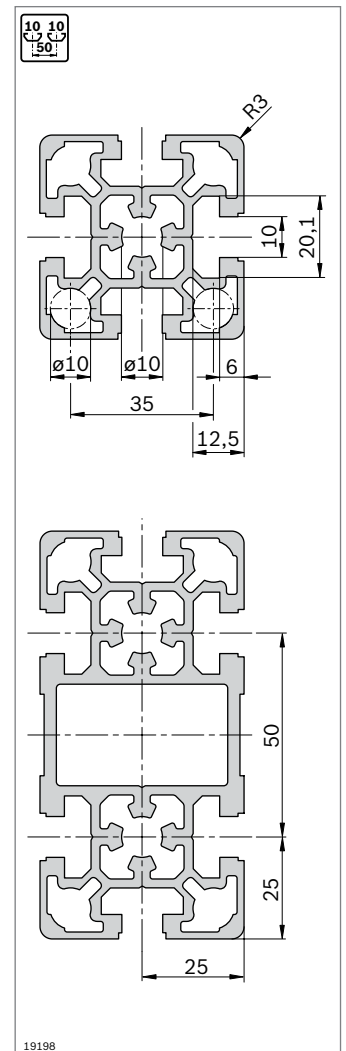
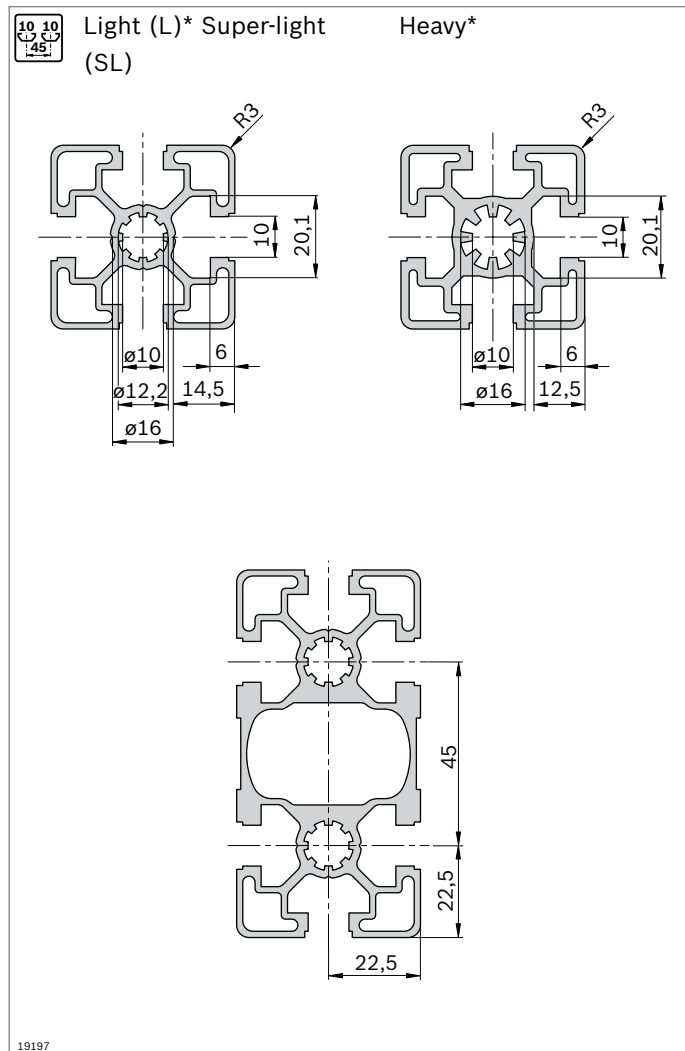
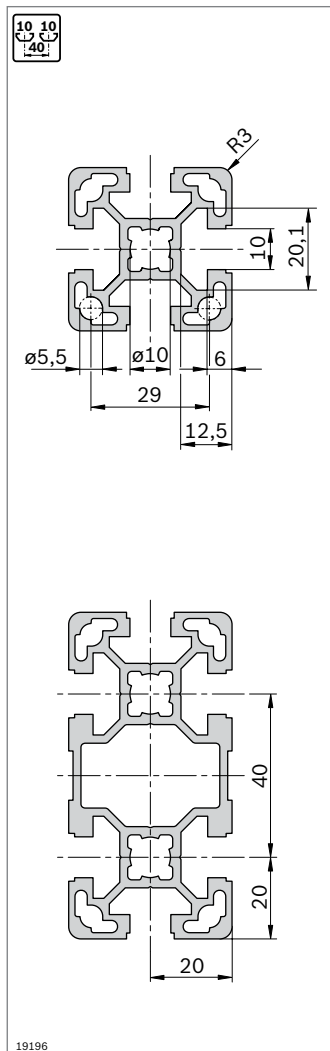
Strut profiles with 10 mm slot

The Rexroth modular profile system, with 10 mm slots in the modular dimensions 40 mm, 45 mm, 50 mm, and 60 mm, caters for all the profile dimensions commonly found in the world market.

Thanks to their computer-optimized design, the strut profiles ...L with 10 mm slot (modular dimensions 40 mm,

45 mm, and 50 mm, e.g. 50x50L) combine high strength values with economical use of materials. This gives you a cost-effective and stable solution for the construction of tables, protection devices or frames, for instance.

Slot, modular dimensions, central bore



*) The following L-profiles have a "heavy" slot geometry:
45x90x90L; 45x90x90L 4N; 90x90L; 90x90L 4N; 90x90L 4NVS; 90x180L

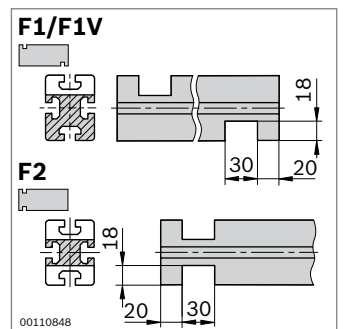
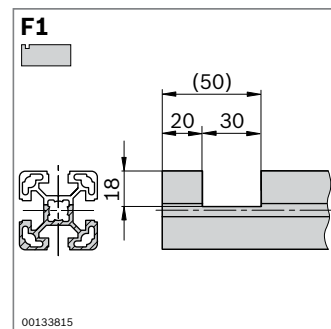
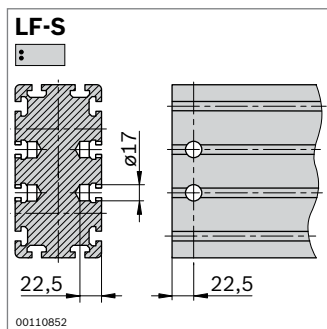
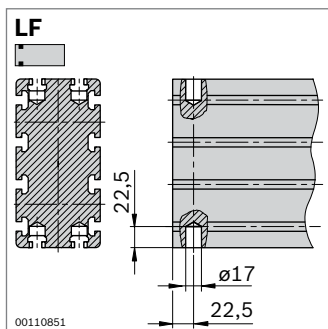
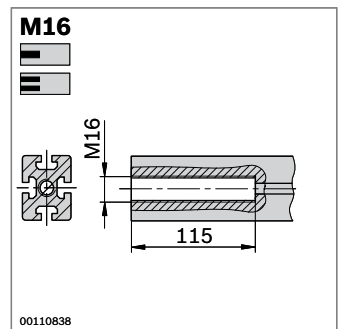
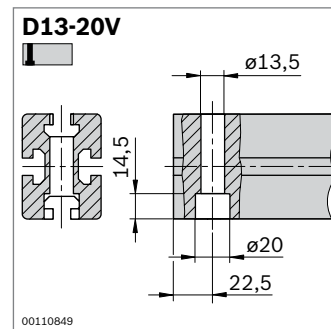
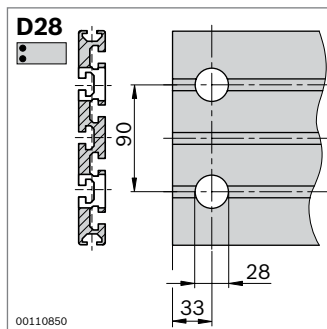
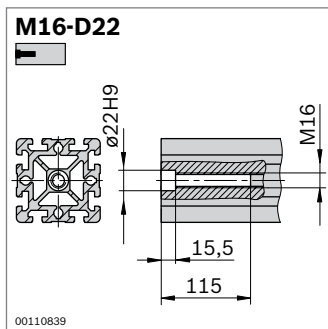
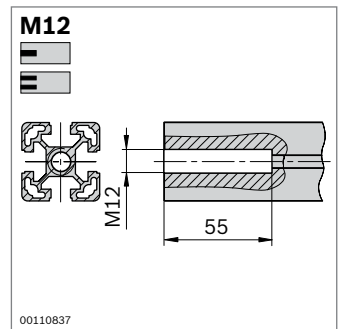
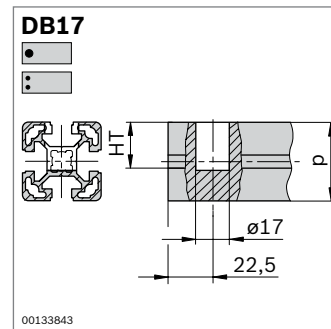
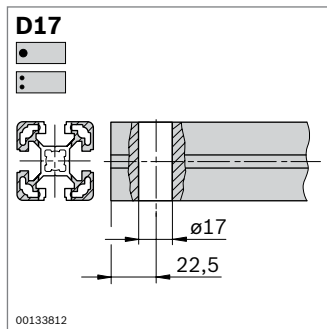
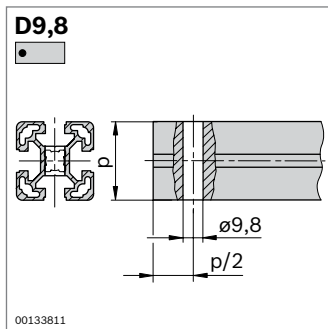
Minimum profile lengths (mm) for Quick & Easy standard profile finishes on one or both sides

	-	M12	M16	D9.8	D17/DB17	F1
-	50	60	120	50	60	60
M12	60	110	180	90	90	110
M16	120	180	240	150	170	170
D9.8	50	90	150	80	70	90
D17/DB17	60	90	170	70	80	90
F1	60	110	170	90	90	80

For applications with high loads we recommend profiles with the especially stable 10 mm slot e.g. for heavy work tables, fixtures, machine frames, transport shuttles, protective enclosures, and handling systems.

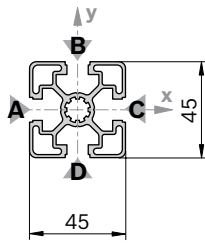
Due to its very sturdy design, this slot makes extremely strong connections possible.

Profile finishing



45x45L

A = 6,0 cm²
 I_x = 11,7 cm⁴
 I_y = 11,7 cm⁴
 W_x = 5,2 cm³
 W_y = 5,2 cm³
 m = 1,6 kg/m



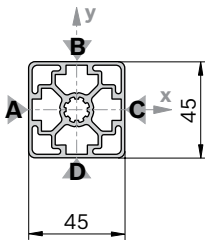
19421

Cover cap	Color	ESD	No.
45x45 (1x)	Signal grey	100	3 842 548 752
45x45 (1x)	Black	20	3 842 548 753
Material:	PP		

Cover cap with hole	Color	ESD	No.
45x45 (1x)	Signal grey	20	3 842 548 796
45x45 (1x)	Black	20	3 842 548 797
Material:	PP		

45x45L ON

A = 6,7 cm²
 I_x = 13,5 cm⁴
 I_y = 13,5 cm⁴
 W_x = 6,0 cm³
 W_y = 6,0 cm³
 m = 1,8 kg/m



19422

Cover cap: see 45x45

45x45L	L (mm)	No.
1 unit	50 ... 5600	3 842 992 425 / L
1 unit M12	60 ... 5600	3 842 992 426 / L
1 unit M12 M12	110 ... 5600	3 842 992 427 / L
1 unit M12 D17	90 ... 5600	3 842 992 960 / L
1 unit D9,8 D9,8	80 ... 5600	3 842 992 967 / L
1 unit D17	60 ... 5600	3 842 992 953 / L
1 unit D17 D17	80 ... 5600	3 842 992 954 / L
1 unit D17 D17V	80 ... 5600	3 842 992 956 / L
20 units	5600	3 842 511 702

Quick & Easy (p. 2-8, see fold-out section)

45x45L	3 842 993 737 / ...
Length L (mm)	50 ... 5600
Standard profile finishes (note minimum length, p. 2-25)	M12 / D9,8 / D17 / DB17 / F1 (A) ¹⁾
Customized profile finishes (L _{max} = 4900 mm)	DI / DIS / MT / MTS / MI / MIS / DG ²⁾

¹⁾ For the specified slots

²⁾ DG_{max} = 45°; L_{min1} / L_{min2} = 378 / 456 mm

45x45L ON	L (mm)	No.
20 units	6070	3 842 540 955

Quick & Easy (p. 2-8, see fold-out section)

45x45L ON	3 842 993 761 / ...
Length L (mm)	50 ... 6000
Standard profile finishes (note minimum length, p. 2-25)	M12 / D9.8 / D17 / DB17
Customized profile finishes (L _{max} = 5400 mm)	DI / DIS / MT / MTS / MI / MIS / DG ¹⁾

¹⁾ DG_{max} = 45°; L_{min1} / L_{min2} = 378 / 456 mm