

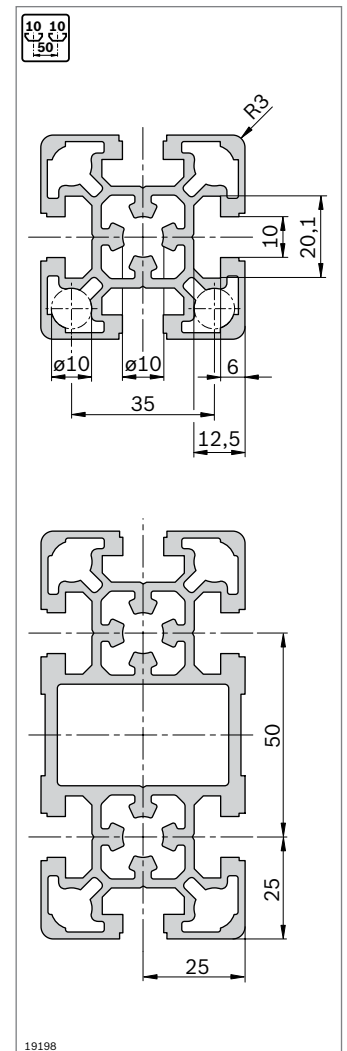
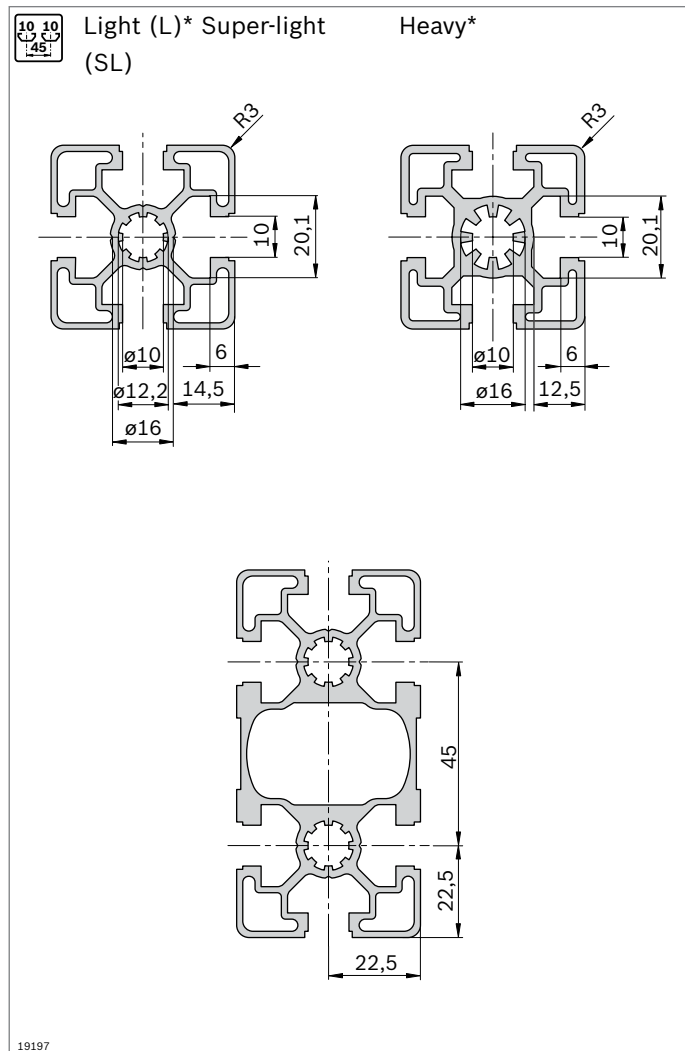
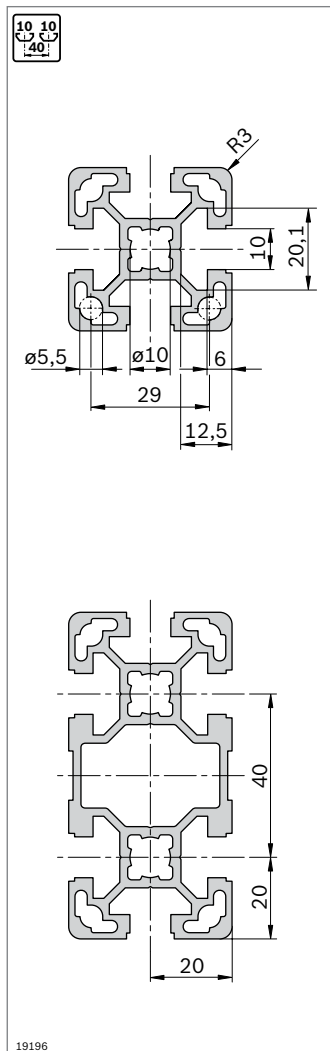
Strut profiles with 10 mm slot

The Rexroth modular profile system, with 10 mm slots in the modular dimensions 40 mm, 45 mm, 50 mm, and 60 mm, caters for all the profile dimensions commonly found in the world market.

Thanks to their computer-optimized design, the strut profiles ...L with 10 mm slot (modular dimensions 40 mm,

45 mm, and 50 mm, e.g. 50x50L) combine high strength values with economical use of materials. This gives you a cost-effective and stable solution for the construction of tables, protection devices or frames, for instance.

Slot, modular dimensions, central bore



*) The following L-profiles have a "heavy" slot geometry:
45x90x90L; 45x90x90L 4N; 90x90L; 90x90L 4N; 90x90L 4NVS; 90x180L

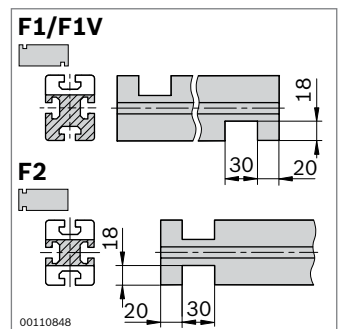
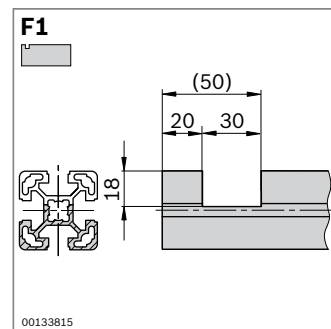
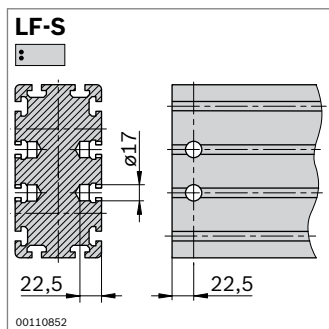
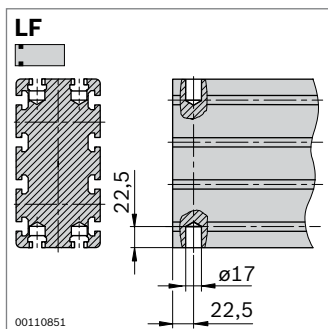
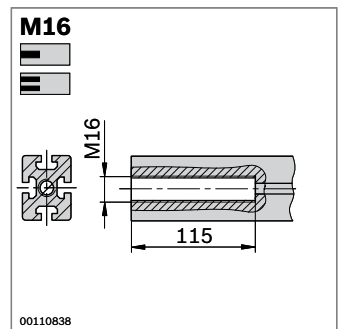
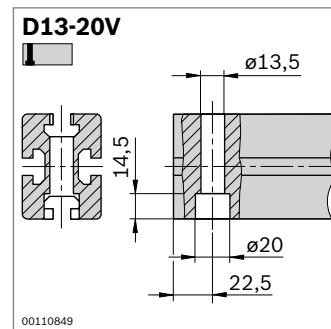
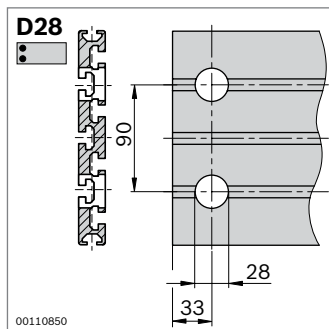
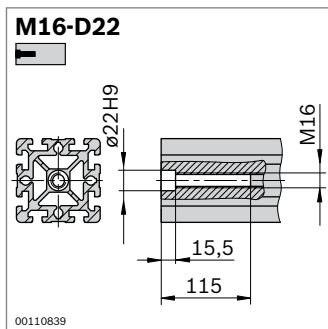
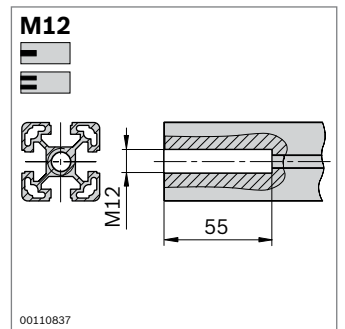
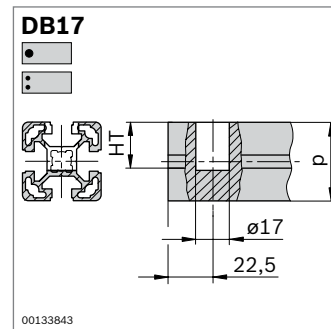
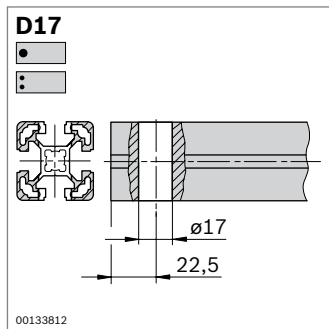
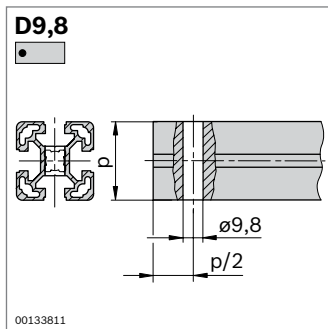
Minimum profile lengths (mm) for Quick & Easy standard profile finishes on one or both sides

	-	M12	M16	D9.8	D17/DB17	F1
-	50	60	120	50	60	60
M12	60	110	180	90	90	110
M16	120	180	240	150	170	170
D9.8	50	90	150	80	70	90
D17/DB17	60	90	170	70	80	90
F1	60	110	170	90	90	80

For applications with high loads we recommend profiles with the especially stable 10 mm slot e.g. for heavy work tables, fixtures, machine frames, transport shuttles, protective enclosures, and handling systems.

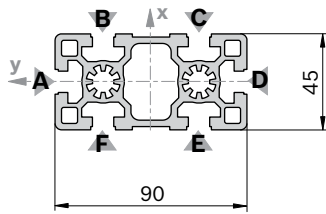
Due to its very sturdy design, this slot makes extremely strong connections possible.

Profile finishing



45x90

A = 15,4 cm²
 $I_x = 124,6 \text{ cm}^4$
 $I_y = 32,8 \text{ cm}^4$
 $W_x = 27,7 \text{ cm}^3$
 $W_y = 14,6 \text{ cm}^3$
 m = 4,2 kg/m



19438

Cover cap	Color	ESD	No.
45x90 (1x)	Signal grey		20 3 842 548 756
45x90 (1x)	Black		20 3 842 548 757

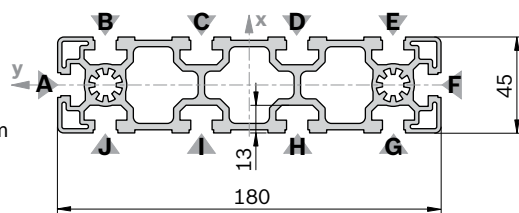
Material: PP

Cover cap with hole	Color	ESD	No.
45x90 (1x)	Signal grey		20 3 842 548 804
45x90 (1x)	Black		20 3 842 548 805

Material: PP

45x180

A = 25,5 cm²
 $I_x = 766,7 \text{ cm}^4$
 $I_y = 57,3 \text{ cm}^4$
 $W_x = 85,2 \text{ cm}^3$
 $W_y = 25,5 \text{ cm}^3$
 m = 6,9 kg/m



19439

Cover cap	Color	ESD	No.
45x180 (1x)	Signal grey		20 3 842 548 794
45x180 (1x)	Black		20 3 842 548 795

Material: PP

45x90	L (mm)	No.
1 unit	50 ... 5600	3 842 990 300 / L
1 unit M12	60 ... 5600	3 842 990 301 / L
1 unit M12 M12	110 ... 5600	3 842 990 302 / L
1 unit M12 D17	90 ... 5600	3 842 990 323 / L
1 unit M12 D17V	90 ... 5600	3 842 990 305 / L
1 unit M16	120 ... 5600	3 842 990 303 / L
1 unit M16 M16	240 ... 5600	3 842 990 304 / L
1 unit M16 D17	170 ... 5600	3 842 990 325 / L
1 unit M16 D17V	170 ... 5600	3 842 990 307 / L
1 unit D17	60 ... 5600	3 842 990 329 / L
1 unit D17 D17	80 ... 5600	3 842 990 313 / L
1 unit D17 D17V	90 ... 5600	3 842 990 311 / L
1 unit D17V	60 ... 5600	3 842 990 331 / L
1 unit D17V D17V	90 ... 5600	3 842 990 309 / L
12 units	5600	3 842 509 186

Profile finishing: M12, M16: in all central holes
 D17: in slots B/F, C/E
 D17V: in slots A/D

Quick & Easy (p. 2-8, see fold-out section)

45x90	3 842 993 661 / ...
Length L (mm)	50 ... 5600
Standard profile finishes (note minimum length, p. 2-25)	M12 / M16 / D9.8 / D17 / DB17 / F1 (A,D) ¹⁾
Customized profile finishes (L _{max} = 4900 mm)	DI / DIS / MT / MTS / MI / MIS / DG ²⁾

¹⁾ For the specified slots

²⁾ DG_{max} = 45°; L_{min1} / L_{min2} = 456 / 612 mm

45x180	L (mm)	No.
1 unit	50 ... 5600	3 842 990 335 / L
1 unit M12	60 ... 5600	3 842 990 336 / L
1 unit M12 M12	110 ... 5600	3 842 990 339 / L
1 unit D17 D17	80 ... 5600	3 842 990 342 / L
1 unit D17V D17V	90 ... 5600	3 842 990 344 / L
6 units	5600	3 842 509 187

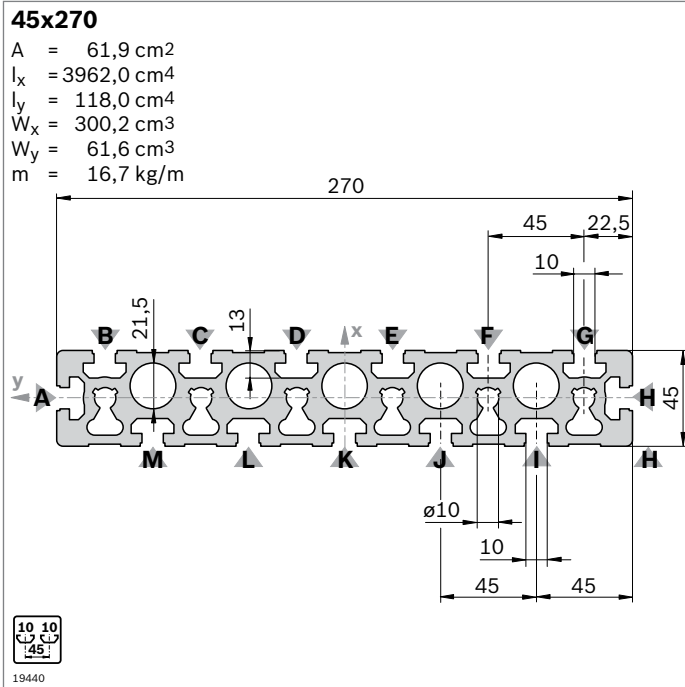
Profile finishing: M12: in all central holes
 D17: in slots B/J, E/G
 D17V: in slots A/F

Quick & Easy (p. 2-8, see fold-out section)

45x180	3 842 993 731 / ...
Length L (mm)	80 ... 5600
Standard profile finishes (note minimum length, p. 2-25)	M12 / M16 / D9.8 (B,C,D,E,G,H,I,J) ¹⁾ / D17 (B,C,D,E,G,H,I,J) ¹⁾ / DB17 / F1 (A,F) ¹⁾
Customized profile finishes (L _{max} = 4900 mm)	DI / DIS / MT / MTS / MI / MIS / DG ²⁾

¹⁾ For the specified slots

²⁾ DG_{max} = 30°; L_{min1} / L_{min2} = 404 / 508 mm



45x270	L (mm)	No.
1 unit	50 ... 5600	3 842 992 927 / L
1 unit M12	110 ... 5600	3 842 992 928 / L
2 units	5600	3 842 520 025

Profile finishing: M12: in core holes under C, F slots

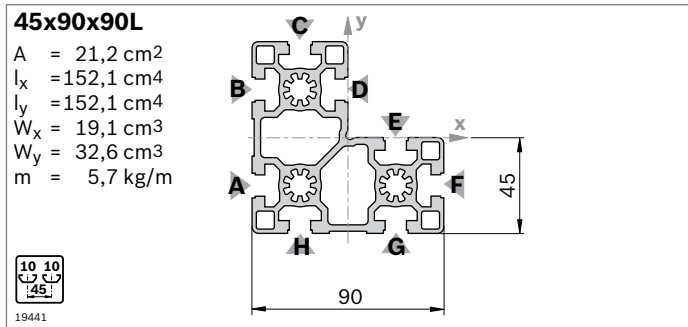
Quick & Easy (p. 2-8, see fold-out section)

45x270	3 842 993 732 / ...
Length L (mm)	80 ... 5600
Standard profile finishes (note minimum length, p. 2-25)	M12 / D9,8 (B,C,D,E,F,G, I,J,K,L,M) ¹⁾ / D17 (B,C,D,E,F,G,I,J,K,L,M) ¹⁾ / DB17 / F1 (A,H) ¹⁾
Customized profile finishes (L _{max} = 4900 mm)	DI / DIS / MT / MTS / MI / MIS

¹⁾ For the specified slots

Cover cap	Color	ESD	No.
45x90 (3x)	Signal grey	20	3 842 548 756
45x90 (3x)	Black	20	3 842 548 757

Material: PP



45x90x90L	L (mm)	No.
1 unit	50 ... 6000	3 842 992 387 / L
1 unit M12	60 ... 6000	3 842 992 388 / L
8 units	6070	3 842 537 823

Profile finishing: M12: in the central bore at the intersection of slots A and H

Quick & Easy (p. 2-8; see fold-out section)

45x90x90L	3 842 993 682 / ...
Length L (mm)	50 ... 6000
Standard profile finishes (note minimum length, p. 2-25)	M12 / D9.8 / D17 / DB17 (A,B,C,F,G,H) ¹⁾
Customized profile finishes (L _{max} = 5400 mm)	DI / DIS / MT / MTS / MI / MIS / DG ²⁾

¹⁾ For the specified slots

²⁾ DG_{max} = 45°; L_{min1} / L_{min2} = 456 / 612 mm

Cover cap	Color	ESD	No.
45x90x90 (1x)	Signal grey	20	3 842 548 806
45x90x90 (1x)	Black	20	3 842 548 807

Material: PP

Cover cap with hole ¹⁾	Color	ESD	No.
45x90x90 (1x)	Signal grey	20	3 842 548 806
45x90x90 (1x)	Black	20	3 842 548 807

Material: PP

¹⁾ The cover cap is also suitable for use with a hole, which can be broken out.

45x90x90L 4N

$A = 21,2 \text{ cm}^2$
 $I_x = 160,8 \text{ cm}^4$
 $I_y = 160,8 \text{ cm}^4$
 $W_x = 30,6 \text{ cm}^3$
 $W_y = 30,6 \text{ cm}^3$
 $m = 5,95 \text{ kg/m}$

10 10
145

29432

Cover cap: see 45x90x90L

90x90SL

$A = 14,1 \text{ cm}^2$
 $I_x = 130,2 \text{ cm}^4$
 $I_y = 130,2 \text{ cm}^4$
 $W_x = 28,9 \text{ cm}^3$
 $W_y = 28,9 \text{ cm}^3$
 $m = 3,8 \text{ kg/m}$

10 10
145

19442

Cover cap: see 90x90L

90x90L

$A = 24,1 \text{ cm}^2$
 $I_x = 211,1 \text{ cm}^4$
 $I_y = 211,1 \text{ cm}^4$
 $W_x = 46,9 \text{ cm}^3$
 $W_y = 46,9 \text{ cm}^3$
 $m = 6,5 \text{ kg/m}$

10 10
145

19443

Cover cap	Color	ESD	No.
90x90L (1x)	Signal grey		20 3 842 548 758
90x90L (1x)	Black		20 3 842 548 759
Material:	PP		

45x90x90L 4N	L (mm)	No.
8 units	6070	3 842 547 827

Quick & Easy (p. 2-8, see fold-out section)

45x90x90L 4N	3 842 993 764
Length L (mm)	50 ... 6070
Standard profile finishes (note minimum length, p. 2-25)	M12 / D9,8 / D17 / DB17 (A,B,C,F,G,H) ¹⁾
Customized profile finishes (L _{max} = 5400 mm)	DI / DIS / MT / MTS / MI / MIS / DG ²⁾

¹⁾ For the specified slots

²⁾ DG_{max} = 45°; L_{min1} / L_{min2} = 456 / 612 mm

90x90SL	L (mm)	No.
1 unit	50 ... 6000	3 842 993 449 / L
6 units	6070	3 842 537 100

Quick & Easy (p. 2-8, see fold-out section)

90x90SL	3 842 993 681 / ...
Length L (mm)	50 ... 6000
Standard profile finishes (note minimum length, p. 2-25)	M12 / D9.8 / D17 / DB17
Customized profile finishes (L _{max} = 5400 mm)	DI / DIS / DG ¹⁾

¹⁾ DG_{max} = 45°; L_{min1} / L_{min2} = 456 / 612 mm

90x90L	L (mm)	No.
1 unit	50 ... 5600	3 842 992 415 / L
1 unit M12	60 ... 5600	3 842 992 416 / L
1 unit M12 = M12	110 ... 5600	3 842 992 422 / L
1 unit M12 = :D17	90 ... 5600	3 842 992 423 / L
1 unit D17	60 ... 5600	3 842 992 417 / L
1 unit D17 = :D17	80 ... 5600	3 842 992 420 / L
1 unit D17 = :D17V	80 ... 5600	3 842 992 421 / L
1 unit LF	80 ... 5600	3 842 992 418 / L
1 unit LF = M12	90 ... 5600	3 842 992 419 / L
6 units	5600	3 842 509 658

Profile finishing:

- M12: in all central holes
- D17: in slots C/H, D/G
- D17V: in slots A/F, B/E
- LF: in slots C/H, D/G

Quick & Easy (p. 2-8, see fold-out section)

90x90L	3 842 993 680 / ...
Length L (mm)	50 ... 5600
Standard profile finishes (note minimum length, p. 2-25)	M12 / D9.8 / D17 / DB17
Customized profile finishes (L _{max} = 4900 mm)	DI / DIS / MT / MTS / MI / MIS / DG ¹⁾

¹⁾ DG_{max} = 45°; L_{min1} / L_{min2} = 456 / 612 mm