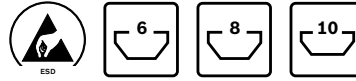
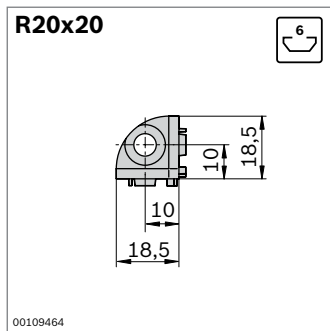


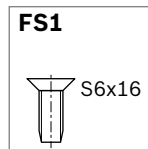
## Corner piece



- ▶ Corner bracket for corner connection of 3 square or half-round profiles with equal cross-sections
- ▶ Screw fastening on profile with self-tapping screws
- ▶ Spherical or cubic cover caps to provide protection from injury and to prevent soiling
- ▶ Profile machining: not required



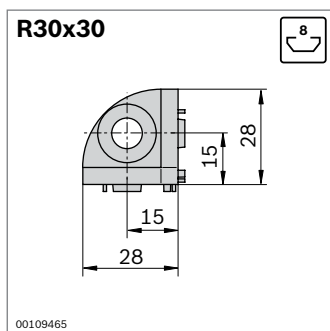
Model	
20/3	23 Nm



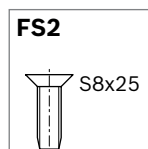
R20x20	Slot	ESD		No.	FS
Corner bracket	6		1	<b>3 842 519 318</b>	3xFS1
Cover cap	signal grey (PP)		10	<b>3 842 548 708</b>	
K (ball)	black (PP)		10	<b>3 842 548 712</b>	
Cover cap W (cube)	signal grey (PP)		10	<b>3 842 548 716</b>	
	black (PP)		10	<b>3 842 548 720</b>	

Material: Corner bracket: Diecast zinc  
Fastening material: Steel, galvanized  
Incl. fastening material (FS)

Scope of delivery:



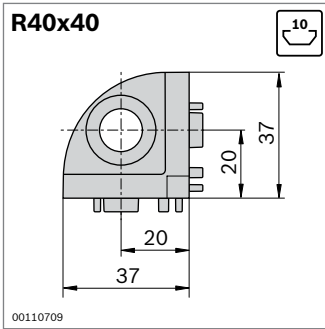
Model	
30/3	85 Nm



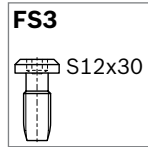
R30x30	Slot	ESD		No.	FS
Corner bracket	8		1	<b>3 842 519 319</b>	3xFS2
Cover cap	signal grey (PP)		10	<b>3 842 548 709</b>	
K (ball)	black (PP)		10	<b>3 842 548 713</b>	
Cover cap	signal grey (PP)		10	<b>3 842 548 717</b>	
W (cube)	black (PP)		10	<b>3 842 548 721</b>	

Material: Corner bracket: Diecast zinc  
Fastening material: Steel, galvanized  
Incl. fastening material (FS)

Scope of delivery:



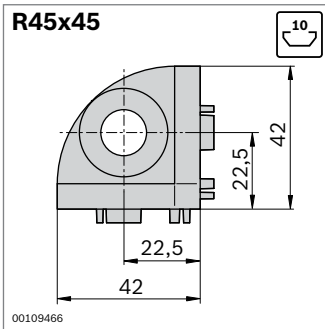
Model	
40/3	70 Nm



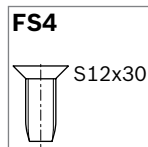
R40x40	Slot	ESD		No.	FS
Corner bracket	10		1	<b>3 842 529 404</b>	3xFS3
Cover cap K (ball)	signal grey (PP)		10	<b>3 842 548 710</b>	
	black (PP)		10	<b>3 842 548 714</b>	
Cover cap W (cube)	signal grey (PP)		10	<b>3 842 548 718</b>	
	black (PP)		10	<b>3 842 548 722</b>	

Material: Corner bracket: Diecast zinc  
Fastening material: Steel, galvanized

Scope of delivery: Incl. fastening material (FS)



Model	
45/3	45x45L 170 Nm
	45x45 240 Nm



R45x45	Slot	ESD		No.	FS
Corner bracket	10		1	<b>3 842 519 321</b>	3xFS4
Cover cap K (ball)	signal grey (PP)		10	<b>3 842 548 711</b>	
	black (PP)		10	<b>3 842 548 715</b>	
Cover cap W (cube)	signal grey (PP)		10	<b>3 842 548 719</b>	
	black (PP)		10	<b>3 842 548 723</b>	

Material: Corner bracket: Diecast zinc  
Fastening material: Steel, galvanized

Scope of delivery: Incl. fastening material (FS)