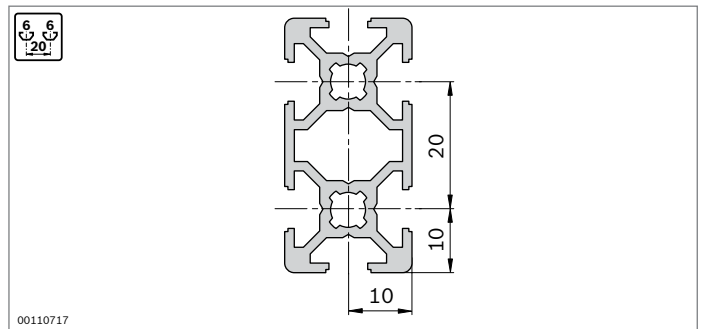
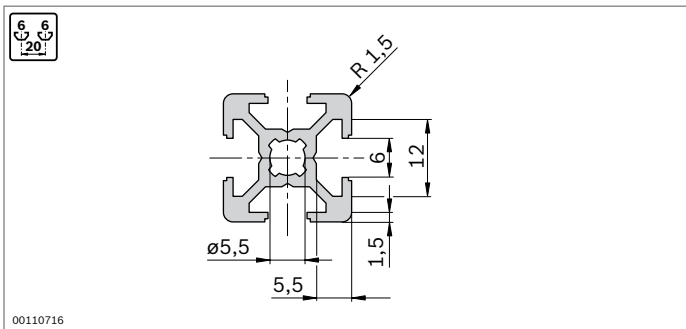


Strut profiles with 6 mm slot

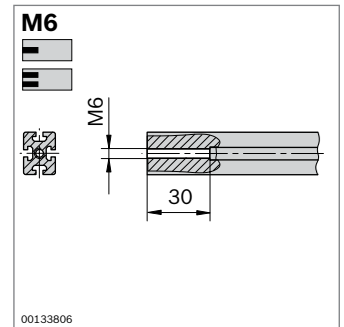
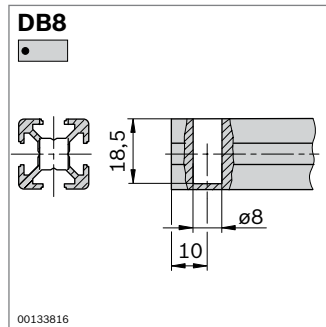
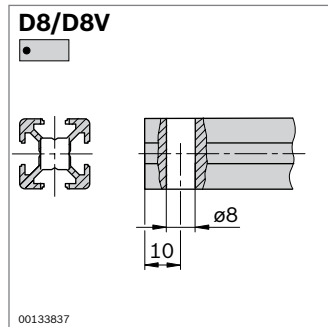
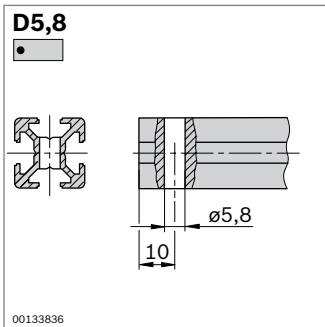
Strut profiles with 6 mm slot for light structures, such as supports and lab fixtures.

The 20x40 and 20x60 profiles are especially suitable for reinforcing; the 20x40x40 profile is suitable for constructing showcases, flow racks, and enclosures.

Slot, modular dimensions, central bore



Profile finishing



Minimum profile lengths (mm) for Quick & Easy standard profile finishes on one or both sides

	-	M6	D5.8	D8/DB8
-	50	50	50	50
M6	50	70	50	70
D5.8	50	50	50	50
D8/DB8	50	70	50	50

20x20

$A = 1,6 \text{ cm}^2$
 $I_x = 0,7 \text{ cm}^4$
 $I_y = 0,7 \text{ cm}^4$
 $W_x = 0,7 \text{ cm}^3$
 $W_y = 0,7 \text{ cm}^3$
 $m = 0,4 \text{ kg/m}$

19168

Cover cap	Color	ESD	No.
20x20 (1x)	Signal grey		100 3 842 548 742
20x20 (1x)	Black		20 3 842 548 743
Material:	PP		

20x20 1N

$A = 1,9 \text{ cm}^2$
 $I_x = 0,8 \text{ cm}^4$
 $I_y = 0,8 \text{ cm}^4$
 $W_x = 0,8 \text{ cm}^3$
 $W_y = 0,8 \text{ cm}^3$
 $m = 0,5 \text{ kg/m}$

19169

Cover cap: See 20x20

20x20 2N

$A = 1,8 \text{ cm}^2$
 $I_x = 0,7 \text{ cm}^4$
 $I_y = 0,8 \text{ cm}^4$
 $W_x = 0,7 \text{ cm}^3$
 $W_y = 0,8 \text{ cm}^3$
 $m = 0,5 \text{ kg/m}$

19170

Cover cap: See 20x20

20x20	L (mm)	No.
1 unit	50 ... 3000	3 842 992 888 / L
1 unit M6	50 ... 3000	3 842 993 230 / L
1 unit M6 M6	70 ... 3000	3 842 993 231 / L
1 unit M6 D8	70 ... 3000	3 842 993 494 / L
1 unit D8	50 ... 3000	3 842 993 493 / L
1 unit D8 D8	50 ... 3000	3 842 993 495 / L
1 unit D8 D8V	50 ... 3000	3 842 993 496 / L
20 units	3000	3 842 517 179

Quick & Easy (p. 2-8, see fold-out section)

20x20	No.
Length L (mm)	50 ... 3000
Standard profile finishes (note minimum length, p. 2-11)	M6 / D5.8 / D8 / DB8
Customized profile finishes ($L_{\max} = 2300 \text{ mm}$)	DI / DIS / MT / MTS / MI / MIS / DG ¹⁾

¹⁾ $DG_{\max} = 45^\circ$; $L_{\min1} / L_{\min2} = 335 / 370 \text{ mm}$

20x20 1N	L (mm)	No.
1 unit	50 ... 3000	3 842 993 421 / L
20 units	3000	3 842 536 475

Quick & Easy (p. 2-8, see fold-out section)

20x20 1N	No.
Length L (mm)	50 ... 3000
Standard profile finishes (note minimum length, p. 2-11)	M6 / D5.8 / D8 / DB8
Customized profile finishes ($L_{\max} = 2300 \text{ mm}$)	DI / DIS / MT / MTS / MI / MIS / DG ¹⁾

¹⁾ $DG_{\max} = 45^\circ$; $L_{\min1} / L_{\min2} = 335 / 370 \text{ mm}$

20x20 2N	L (mm)	No.
1 unit	50 ... 3000	3 842 993 422 / L
20 units	3000	3 842 536 478

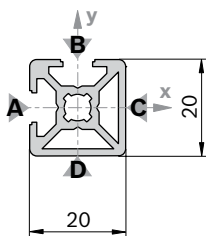
Quick & Easy (p. 2-8, see fold-out section)

20x20 2N	No.
Length L (mm)	50 ... 3000
Standard profile finishes (note minimum length, p. 2-11)	M6 / D5.8 / D8 / DB8
Customized profile finishes ($L_{\max} = 2300 \text{ mm}$)	DI / DIS / MT / MTS / MI / MIS / DG ¹⁾

¹⁾ $DG_{\max} = 45^\circ$; $L_{\min1} / L_{\min2} = 335 / 370 \text{ mm}$




20x20 2NVS

A = 1,8 cm²
 I_x = 0,7 cm⁴
 I_y = 0,7 cm⁴
 W_x = 0,7 cm³
 W_y = 0,7 cm³
 m = 0,5 kg/m



19171

Cover cap: See 20x20

20x20 2NVS	L (mm)	No.
1 unit 	50 ... 3000	3 842 992 924 / L
 20 units 	3000	3 842 519 658

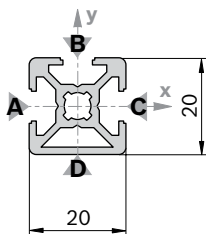
Quick & Easy (p. 2-8, see fold-out section)

20x20 2NVS	3 842 993 692/...
Length L (mm)	50 ... 3000
Standard profile finishes (note minimum length, p. 2-11)	M6 / D5.8 / D8 / DB8
Customized profile finishes (L _{max} = 2300 mm)	DI / DIS / MT / MTS / MI / MIS / DG ¹⁾

¹⁾ DG_{max} = 45°; L_{min1} / L_{min2} = 335 / 370 mm



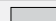
20x20 3N

A = 1,7 cm²
 I_x = 0,7 cm⁴
 I_y = 0,8 cm⁴
 W_x = 0,7 cm³
 W_y = 0,7 cm³
 m = 0,5 kg/m



19172

Cover cap: See 20x20

20x20 3N	L (mm)	No.
1 unit 	50 ... 3000	3 842 992 889 / L
 20 units 	3000	3 842 517 180

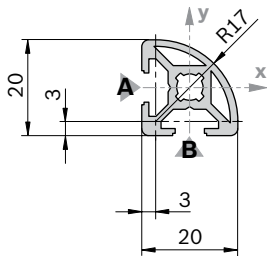
Quick & Easy (p. 2-8, see fold-out section)

20x20 3N	3 842 993 693/...
Length L (mm)	50 ... 3000
Standard profile finishes (note minimum length, p. 2-11)	M6 / D5.8 / D8 / DB8
Customized profile finishes (L _{max} = 2300 mm)	DI / DIS / MT / MTS / MI / MIS / DG ¹⁾




¹⁾ DG_{max} = 45°; L_{min1} / L_{min2} = 335 / 370 mm

20x20 R




A = 1,6 cm²
 I_x = 0,6 cm⁴
 I_y = 0,6 cm⁴
 W_x = 0,5 cm³
 W_y = 0,5 cm³
 m = 0,4 kg/m



19173

Cover cap	Color	ESD	 No.
20x20 R (1x)	Signal grey		20 3 842 548 826
20x20 R (1x)	Black		20 3 842 548 827

Material: PP

20x20 R	L (mm)	No.
1 unit 	50 ... 3000	3 842 992 890 / L
 20 units 	3000	3 842 517 183

Quick & Easy (p. 2-8, see fold-out section)

20x20 R	3 842 993 695 /
Length L (mm)	50 ... 3000
Standard profile finishes (note minimum length, p. 2-11)	M6
Customized profile finishes (L _{max} = 2300 mm)	—