

# TW·TWN SERIES

■ Operating temperature ■  
-10°C~+60°C

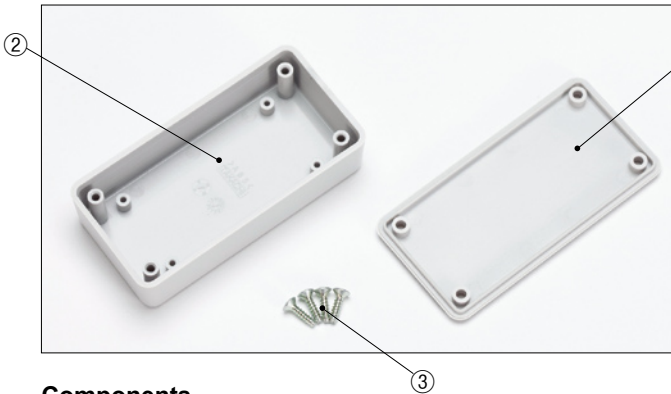
## TW MULTIPURPOSE PLASTIC ENCLOSURE

## TWN FLAME-RESISTANT PLASTIC ENCLOSURE



### FEATURE

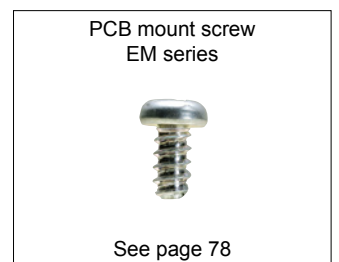
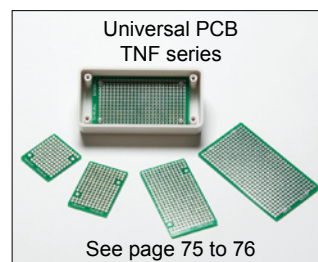
- Universal plastic enclosure with screw fastening.
- Selectable in 26 sizes and 3 colors of Black, Light Gray, and Off-White.
- Suitable for measuring instruments, testing devices, wireless communication devices, medical devices, etc.



### Components

Ref. #	Part name	Pcs	Material / Color / Finish
1	Top cover	1	TW : ABS / Light gray & Black
			TWN : Flame-resistant ABS / Off-white
2	Bottom cover	1	TW : ABS / Light gray & Black
			TWN : Flame-resistant ABS / Off-white
3	Self-tapping screw	2 or 4	TW : Steel / Trivalent chromate · Black trivalent chromate
			TWN : Steel / Nickel plated

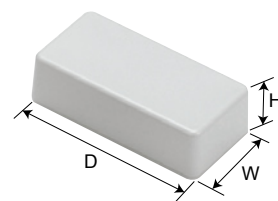
### Accessories (Optional parts)



## TW·TWN SERIES

## Color Type

Series	Color code	Top cover	Bottom cover
TW	G	Light gray	Light gray
	B	Black	Black
TWN	W	Off-white	Off-white



## TW Standard

## ABS UL94HB

## Part no. / Dimensions

• Please suffix color code of G or B at the ending of part number □ when ordering TW series.

Part no.	W	H	D	Screw size, pcs		Weight(g)
TW 4-2- 5□	35	20	50	M2.6×12	2 pcs	13.5
TW 4-2- 6□	35	20	60	M2.6×12	2 pcs	15.5
TW 4-2- 8□	40.3	20	80.3	M2.6×12	2 pcs	22
TW 5-2- 5□	50	15	50	M2.6×12	4 pcs	18
TW 5-3- 5□	50	25	50	M2.6×12	4 pcs	22
TW 5-2- 7□	50	15	70	M2.6×12	4 pcs	22
TW 5-3- 7□	50	27.5	70	M2.6×12	4 pcs	29
TW 5-4- 7□	50	40	70	M2.6×12	4 pcs	35
TW 5-3- 9□	45	25	90	M3×12	4 pcs	30.5
TW 5-3-10□	50	30	100	M3×12	4 pcs	45.5
TW 7-2-11□	70	20	105	M2.6×14	4 pcs	56.5
TW 7-4-11□	70	35	105	M2.6×14	4 pcs	70
TW 7-5-11□	70	50	105	M2.6×14	4 pcs	83
TW 7-3-13□	65	25.8	130	M3×16	4 pcs	76
TW 7-5-13□	65	50.1	130	M3×16	4 pcs	100
TW 8-2- 8□	80	20	80	M2.6×12	4 pcs	49
TW 8-4- 8□	80	40	80	M2.6×12	4 pcs	65
TW 9-4- 17□	85.5	35.5	170	M3×16	4 pcs	133
TW 9-6- 17□	85.5	60.5	170	M3×16	4 pcs	168
TW11-5-22□	110	45.3	220	M3×16	4 pcs	223
TW11-8-22□	110	75.3	220	M3×16	4 pcs	277
TW13-3-13□	125	25	125	M3×16	4 pcs	135
TW13-5-13□	125	45	125	M3×16	4 pcs	165.5
TW13-3-18□	125	25	175	M3×16	4 pcs	184.5
TW13-5-18□	125	45	175	M3×16	4 pcs	218
TW13-7-18□	125	65	175	M3×16	4 pcs	254

## TWN Flame-resistant

## ABS UL94V-1 / UL94V-0

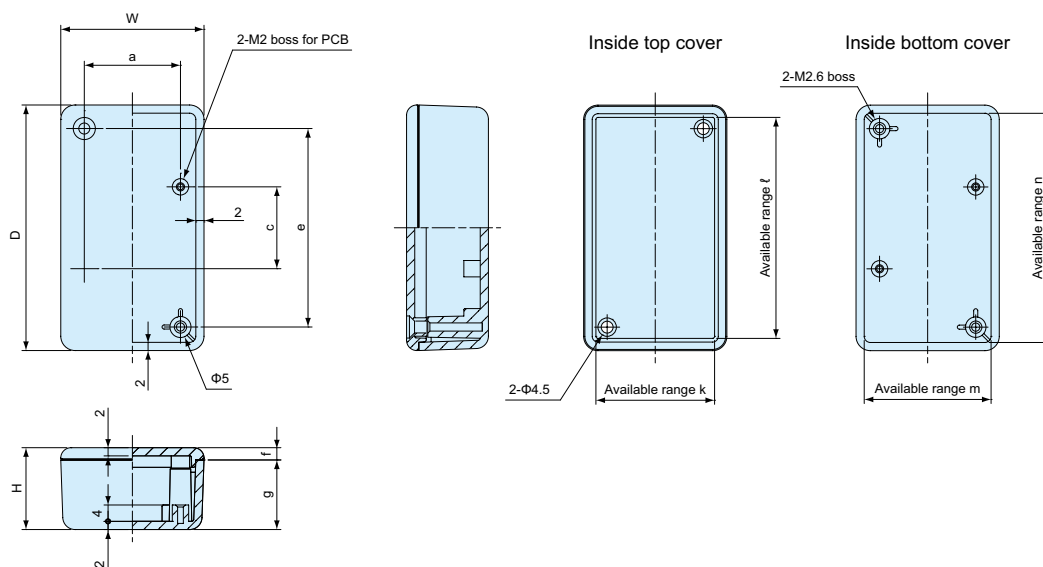
## Part no. / Dimensions

Part no.	W	H	D	UL-class	Screw size, pcs		Weight(g)
TWN 4-2- 5W	35	20	50	UL94V-1	M2.6×12	2 pcs	16.5
TWN 4-2- 6W	35	20	60	UL94V-1	M2.6×12	2 pcs	18
TWN 4-2- 8W	40.3	20	80.3	UL94V-1	M2.6×12	2 pcs	26
TWN 5-2- 7W	50	15	70	UL94V-1	M2.6×12	4 pcs	24.5
TWN 5-3- 7W	50	27.5	70	UL94V-1	M2.6×12	4 pcs	33
TWN 5-4- 7W	50	40	70	UL94V-1	M2.6×12	4 pcs	39.5
TWN 5-3- 9W	45	25	90	UL94V-1	M3×16	4 pcs	35
TWN 7-2-11W	70	20	105	UL94V-0	M2.6×14	4 pcs	64.5
TWN 7-4-11W	70	35	105	UL94V-0	M2.6×14	4 pcs	80
TWN 7-5-11W	70	50	105	UL94V-0	M2.6×14	4 pcs	94.5
TWN 7-3-13W	65	25.8	130	UL94V-0	M3×16	4 pcs	85
TWN 7-5-13W	65	50.1	130	UL94V-0	M3×16	4 pcs	115.5
TWN 8-2- 8W	80	20	80	UL94V-0	M2.6×12	4 pcs	55.5
TWN 8-4- 8W	80	40	80	UL94V-0	M2.6×12	4 pcs	75
TWN 9-4-17W	85.5	35.5	170	UL94V-0	M3×16	4 pcs	151
TWN 9-6-17W	85.5	60.5	170	UL94V-0	M3×16	4 pcs	191
TWN11-5-22W	110	45.3	220	UL94V-0	M3×16	4 pcs	254
TWN11-8-22W	110	75.3	220	UL94V-0	M3×16	4 pcs	316
TWN13-3-13W	125	25	125	UL94V-0	M3×16	4 pcs	156.5
TWN13-5-13W	125	45	125	UL94V-0	M3×16	4 pcs	190
TWN13-3-18W	125	25	175	UL94V-0	M3×16	4 pcs	206.5
TWN13-5-18W	125	45	175	UL94V-0	M3×16	4 pcs	249
TWN13-7-18W	125	65	175	UL94V-0	M3×16	4 pcs	290.5

**TW · TWN Dimensions**

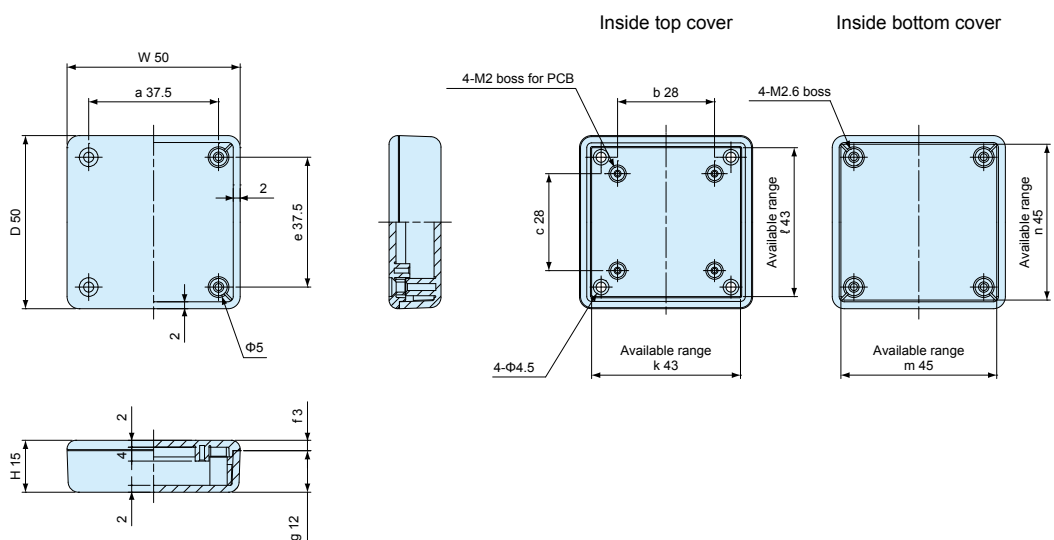
• CAD data is downloadable from our web.

TW / TWN4-2-5  
 TW / TWN4-2-6  
 TW / TWN4-2-8



Part no.	W	H	D	a	b	c	e	f	g	i	j	k	ℓ	m	n
TW / TWN4-2-5□	35	20	50	23.5	-	20	38.5	3	17	—	—	28.5	43.5	29.5	44.5
TW / TWN4-2-6□	35	20	60	23.5	-	20	48.5	3	17	—	—	28.5	53.5	29.5	54.5
TW / TWN4-2-8□	40.3	20	80.3	28.5	-	40	68.5	3	17	—	—	33.5	73.5	34.5	74.5

TW5-2-5



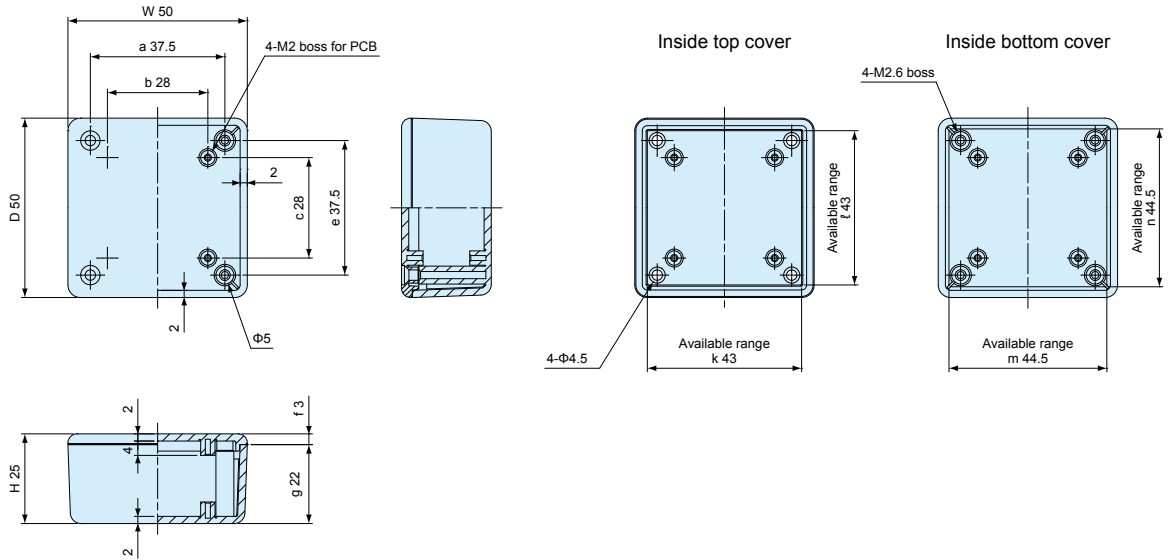
Part no.	W	H	D	a	b	c	e	f	g	i	j	k	ℓ	m	n
TW5-2-5□	50	15	50	37.5	28	28	37.5	3	12	—	—	43	43	45	45

**TW · TWN Dimensions**

• CAD data is downloadable from our web.

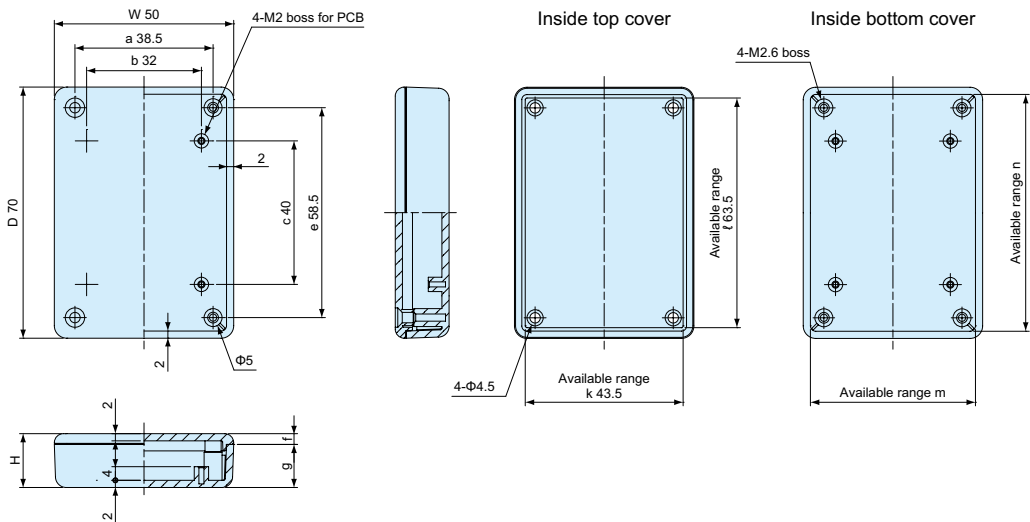
**TW·TWN SERIES**

**TW5-3-5**



Part no.	W	H	D	a	b	c	e	f	g	i	j	k	ℓ	m	n
TW5-3-5□	50	25	50	37.5	28	28	37.5	3	22	—	—	43	43	44.5	44.5

- TW / TWN5-2-7
- TW / TWN5-3-7
- TW / TWN5-4-7

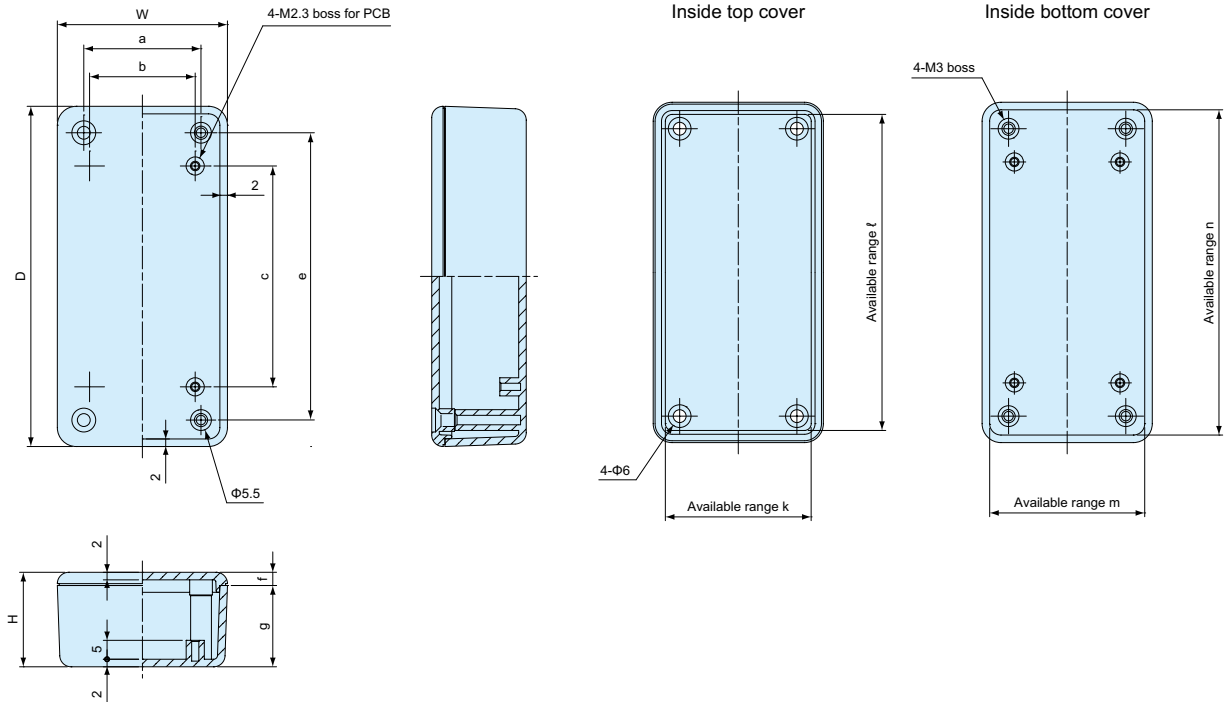


Part no.	W	H	D	a	b	c	e	f	g	i	j	k	ℓ	m	n
TW / TWN5-2-7□	50	15	70	38.5	32	40	58.5	3	12	—	—	43.5	63.5	44.5	64.5
TW / TWN5-3-7□	50	27.5	70	38.5	32	40	58.5	3	24.5	—	—	43.5	63.5	44	64
TW / TWN5-4-7□	50	40	70	38.5	32	40	58.5	3	37	—	—	43.5	63.5	43	63

**TW · TWN Dimensions**

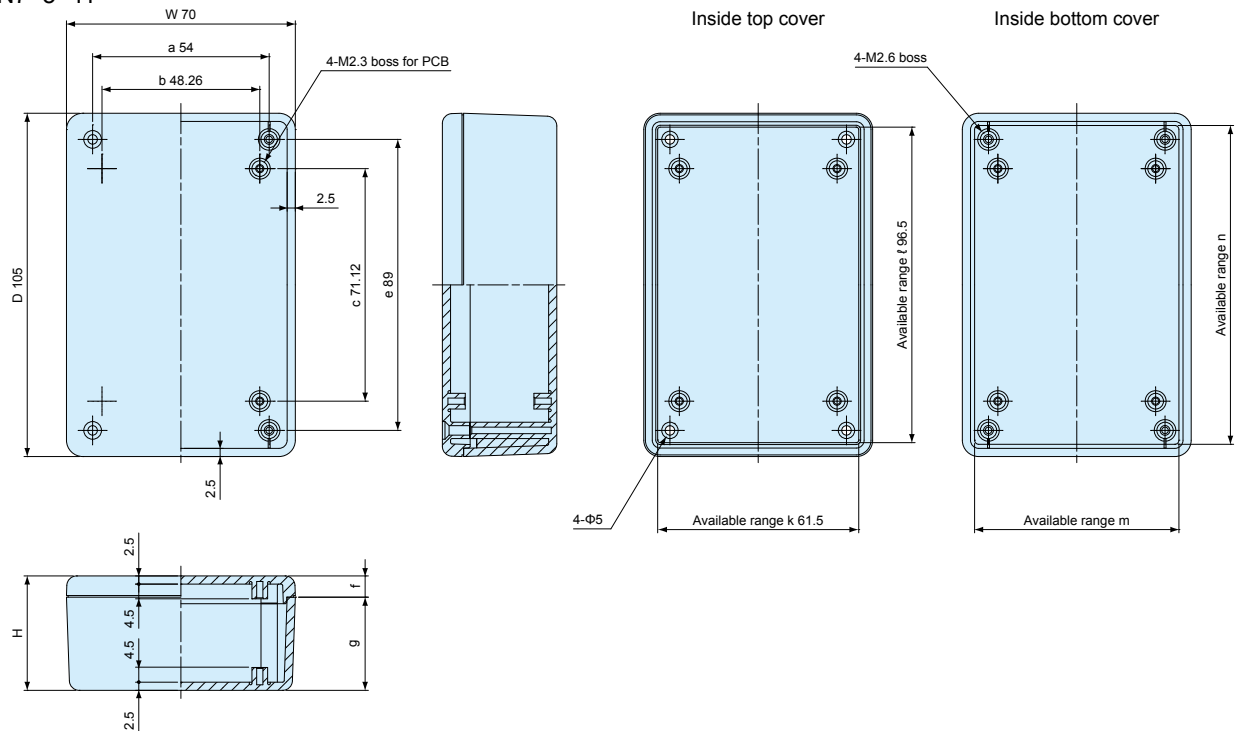
• CAD data is downloadable from our web.

TW / TWN5-3-9  
TW5-3-10



Part no.	W	H	D	a	b	c	e	f	g	i	j	k	ℓ	m	n
TW / TWN5-3-9□	45	25	90	31	27.94	58.42	76	3.5	21.5	—	—	38.5	83.5	39	84
TW5-3-10□	50	30	100	36	22.86	73.66	86	3.5	26.5	—	—	43	93	44	94

TW / TWN7-2-11  
TW / TWN7-4-11  
TW / TWN7-5-11



Part no.	W	H	D	a	b	c	e	f	g	i	j	k	ℓ	m	n
TW / TWN7-2-11□	70	20	105	54	48.26	71.12	89	6.5	13.5	—	—	61.5	96.5	63.5	98.5
TW / TWN7-4-11□	70	35	105	54	48.26	71.12	89	6.5	28.5	—	—	61.5	96.5	62.5	97.5
TW / TWN7-5-11□	70	50	105	54	48.26	71.12	89	6.5	43.5	—	—	61.5	96.5	61.5	96.5

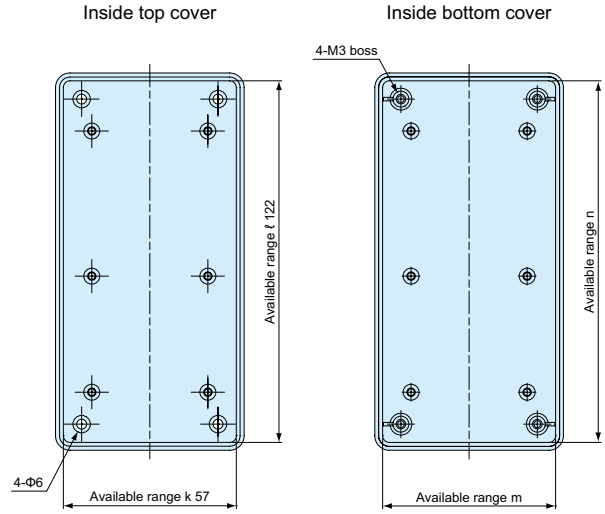
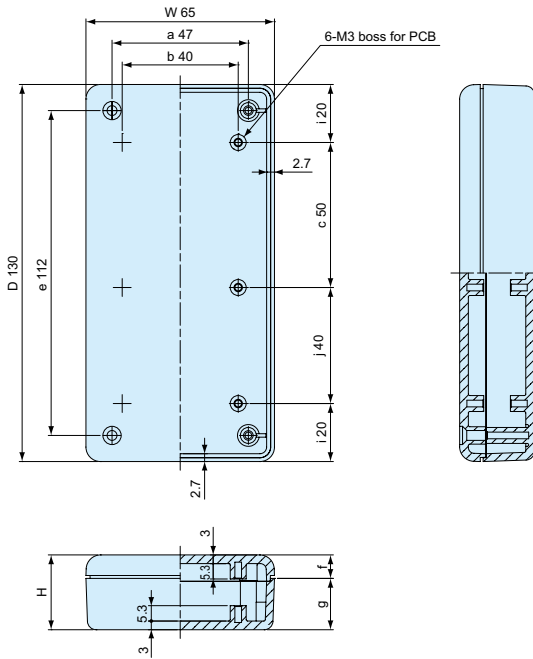
**TW · TWN Dimensions**

• CAD data is downloadable from our web.

**TW·TWN SERIES**

TW / TWN7-3-13

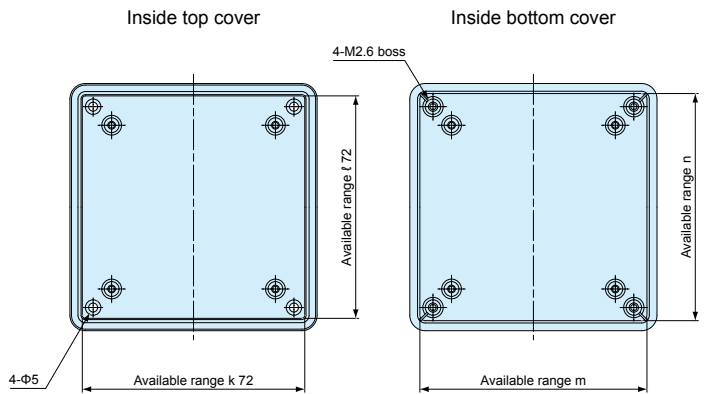
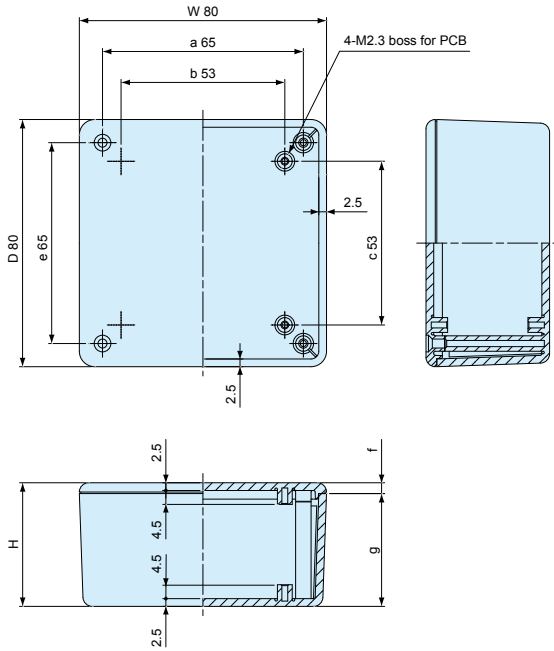
TW / TWN7-5-13



Part no.	W	H	D	a	b	c	e	f	g	i	j	k	ℓ	m	n
TW / TWN7-3-13□	65	25.8	130	47	40	50	112	8.1	17.7	20	40	57	122	58	123
TW / TWN7-5-13□	65	50.1	130	47	40	50	112	8.1	42	20	40	57	122	56.5	121.5

TW / TWN8-2-8

TW / TWN8-4-8

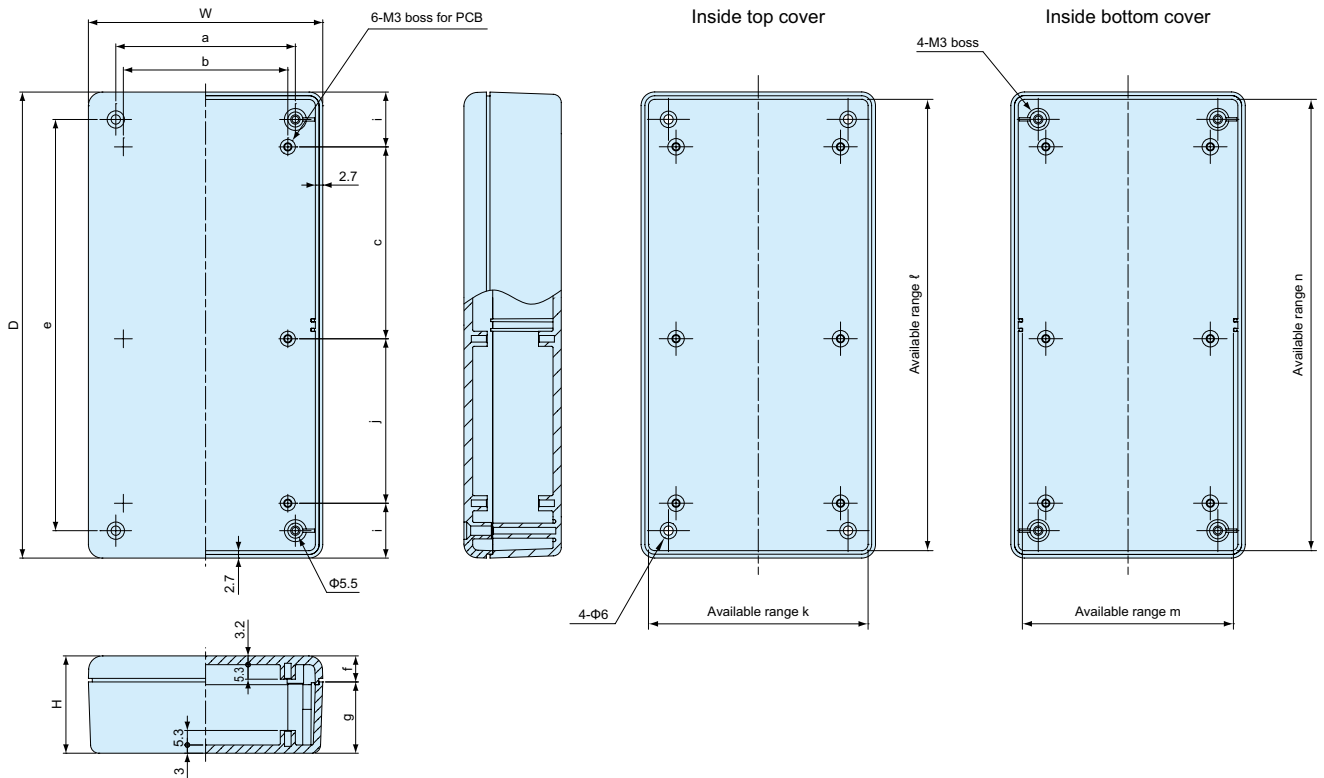


Part no.	W	H	D	a	b	c	e	f	g	i	j	k	ℓ	m	n
TW / TWN8-2-8□	80	20	80	65	53	53	65	3.5	16.5	—	—	72	72	73.5	73.5
TW / TWN8-4-8□	80	40	80	65	53	53	65	3.5	36.5	—	—	72	72	72	72

**TW · TWN Dimensions**

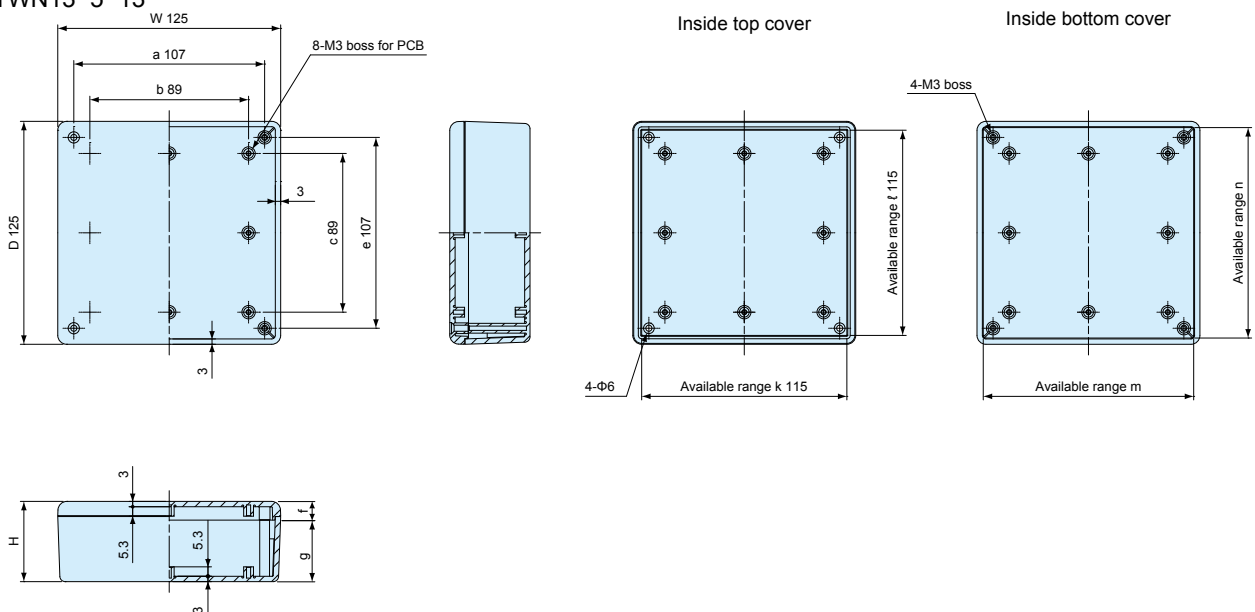
• CAD data is downloadable from our web.

TW / TWN 9-4-17  
 TW / TWN 9-6-17  
 TW / TWN11-5-22  
 TW / TWN11-8-22



Part no.	W	H	D	a	b	c	e	f	g	i	j	k	ℓ	m	n
TW / TWN 9-4-17□	85.5	35.5	170	65.5	60	70	150	9.5	26	20	60	77.5	162	76.5	162.5
TW / TWN 9-6-17□	85.5	60.5	170	65.5	60	70	150	9.5	51	20	60	77.5	162	76.5	161
TW / TWN11-5-22□	110	45.3	220	88	50	120	198	10.3	35	20	60	102	212	101	211.5
TW / TWN11-8-22□	110	75.3	220	88	50	120	198	10.3	65	20	60	102	212	100	210

TW / TWN13-3-13  
 TW / TWN13-5-13



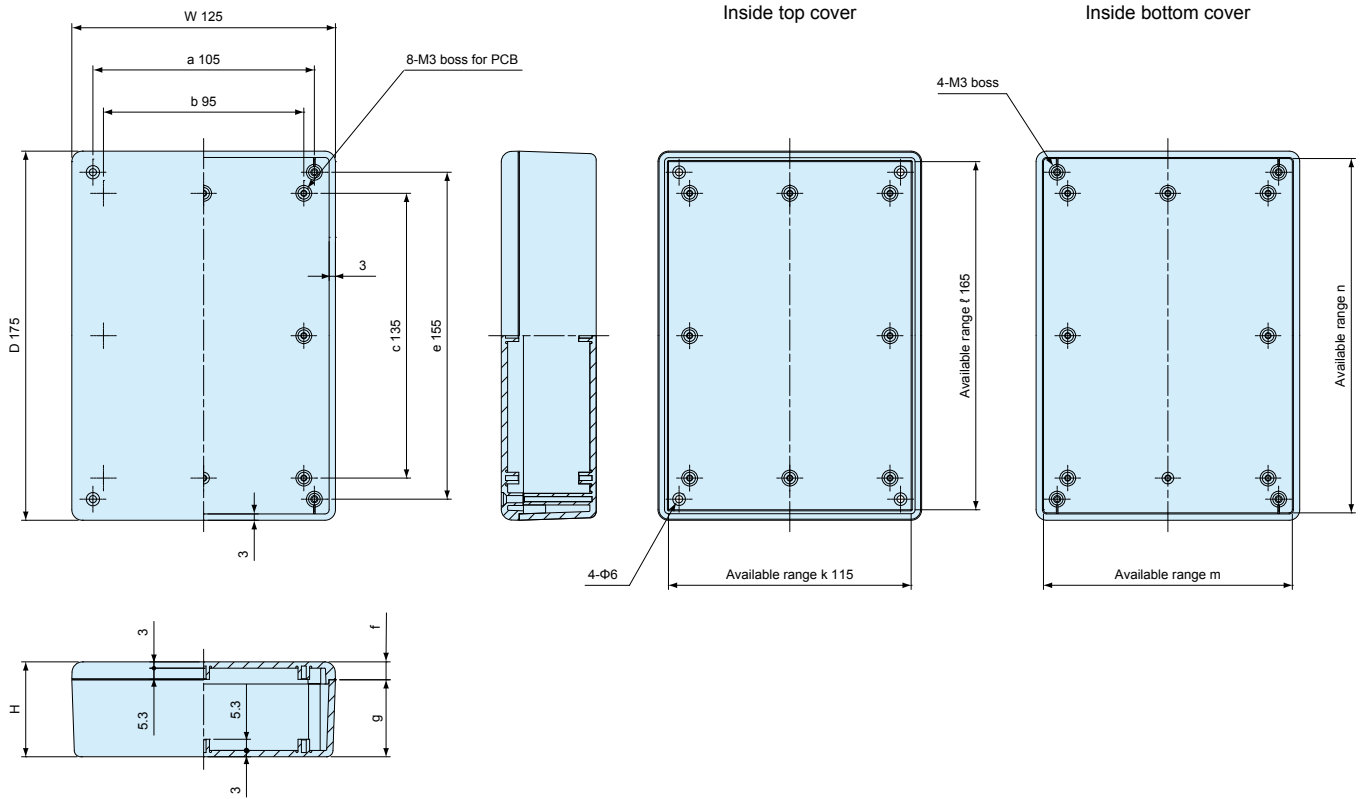
Part no.	W	H	D	a	b	c	e	f	g	i	j	k	ℓ	m	n
TW / TWN13-3-13□	125	25	125	107	89	89	107	8.5	16.5	—	—	115	115	118	118
TW / TWN13-5-13□	125	45	125	107	89	89	107	8.5	36.5	—	—	115	115	116.5	116.5

**TW · TWN Dimensions**

• CAD data is downloadable from our web.

**TW·TWN SERIES**

TW / TWN13-3-18  
 TW / TWN13-5-18  
 TW / TWN13-7-18



Part no.	W	H	D	a	b	c	e	f	g	i	j	k	$\ell$	m	n
TW / TWN13-3-18□	125	25	175	105	95	135	155	8.5	16.5	—	—	115	165	117.5	167.5
TW / TWN13-5-18□	125	45	175	105	95	135	155	8.5	36.5	—	—	115	165	116.5	166.5
TW / TWN13-7-18□	125	65	175	105	95	135	155	8.5	56.5	—	—	115	165	115	165