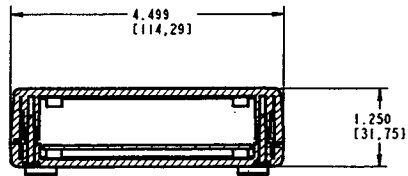
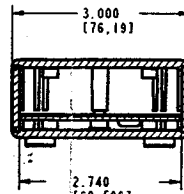


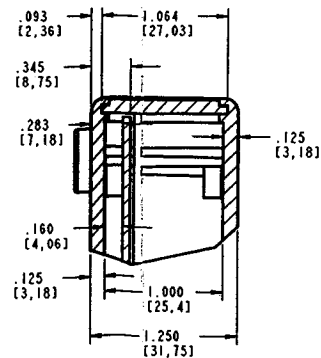
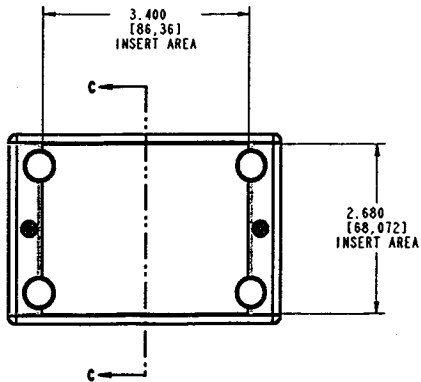
RECOMMENDED P.C. BOARD SIZE



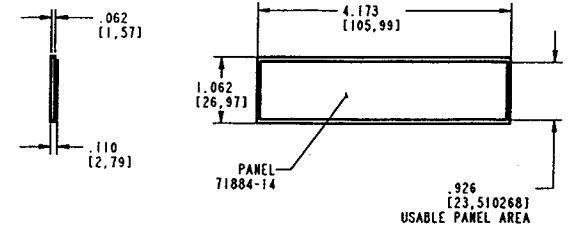
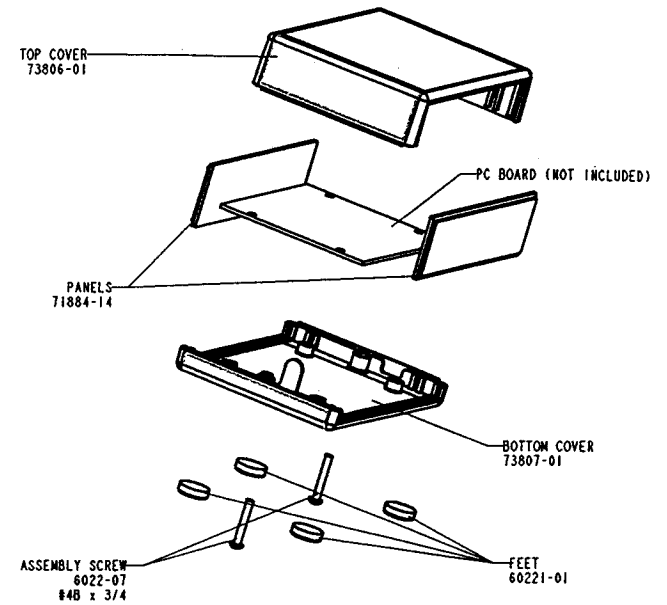
SECTION A-A



PANEL TO PANEL
SECTION B-B



SECTION C-C
SCALE 2.000



VISIT **PACITEC**[®]
ON THE WORLD WIDE WEB
www.pactecenclosures.com

COLOR / MATERIAL CODE		
COLOR	94NB	94VO
BLACK	000	028
P.C. BONE	039	060

DRAWING NUMBER	REV
77240	A