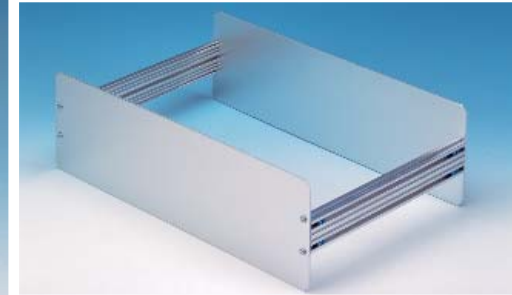


# Unicase



## Unicase Instrument Cases

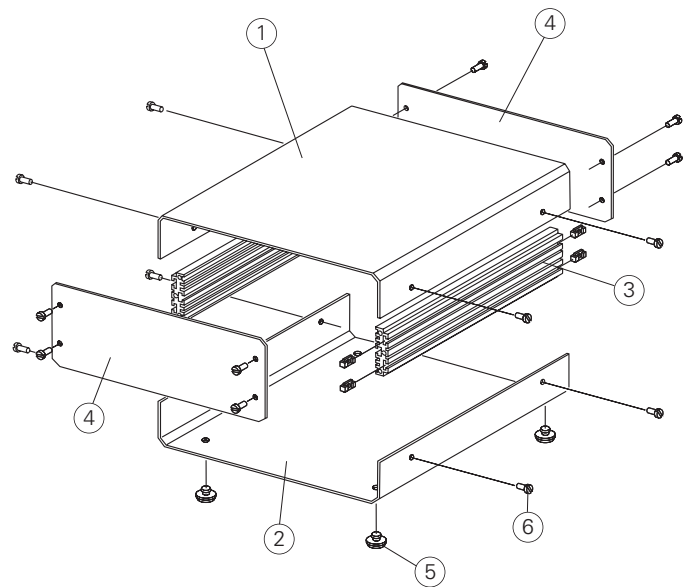
Attractive universal enclosures for desktop or portable electronics. Total access design for fast assembly and equipping. Internal assembly extrusions with four guide rail positions for mounting PCBs. Anodised aluminium front panels included.

## Unicase Instrumenten-Gehäuse

Attraktives, universelles Gehäusesystem für Tischgeräte oder mobile Anwendungen. Besonders gute Zugänglichkeit bei Montage- und Bestückungsarbeiten. Interne Montageprofile mit vier Führungspositionen für die Befestigung der Leiterkarten. Eloxierte Aluminium Frontplatten sind beigelegt.

## Boîtier Unicase pour instruments

Système de boîtiers universel et d'aspect plaisant pour appareils de table ou applications portables. Très bonne accessibilité pour les opérations de montage et la mise en place des composants. Profilés de montage internes avec quatres positions de guidage pour la fixation des circuits imprimés. Les plaques avant en aluminium anodisé sont comprises dans la livraison.



### Supply

- ① Top cover
- ② Base cover
- ③ Assembly profile (x2)
- ④ Front panel (x2)
- ⑤ Rubber Foot (x4)
- ⑥ M3 x 6 mm (x16)

### Lieferumfang

- Deckplatte
- Bodenplatte
- Montageprofile (x2)
- Frontplatte (x2)
- Gummifuß (x4)
- M3 x 6 mm (x16)

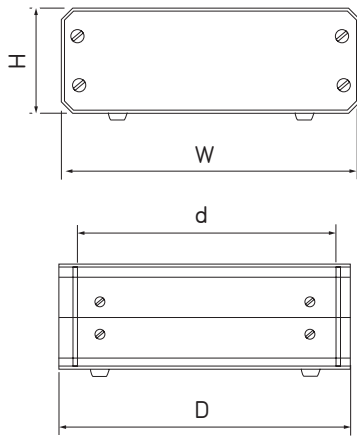
### Fourniture

- Partie supérieure
- Partie inférieure
- Profilés de montage (x2)
- Plaque avant (x2)
- Pied du boîtier (x4)
- M3 x 6 mm (x16)



Standard colours  
Standardfarben  
Coloris standard

## Unicase

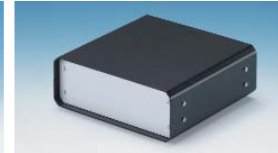


### PCB Size

Platinenmaße/Taille de la carte

| Version | A            | B            | T           |
|---------|--------------|--------------|-------------|
| 1       | 166 (6.53")  | 159 (6.26")  | 1.6 (0.06") |
| 2       | 241 (9.49")  | 229 (9.01")  | 1.6 (0.06") |
| 3       | 331 (13.03") | 229 (9.01")  | 1.6 (0.06") |
| 4       | 242 (9.52")  | 279 (10.98") | 1.6 (0.06") |
| 5       | 348 (13.70") | 279 (10.98") | 1.6 (0.06") |
| 6       | 455 (17.91") | 279 (10.98") | 1.6 (0.06") |

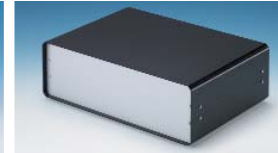
| Part No.<br>Bestell-Nr/Ref | Version | Colours<br>Farben/Coloris | W            | H             | D            | d            |
|----------------------------|---------|---------------------------|--------------|---------------|--------------|--------------|
| <b>M 55 01 110</b>         | 1       | ● RAL 7035                | 185 (7.28")  | 65 (2.56")    | 180 (7.09")  | 159 (6.26")  |
| <b>M 55 01 119</b>         | 1       | ● RAL 9005                | 185 (7.28")  | 65 (2.56")    | 180 (7.09")  | 159 (6.26")  |
| <b>M 55 02 110</b>         | 2       | ● RAL 7035                | 260 (10.23") | 90 (3.54")    | 250 (9.84")  | 229 (9.01")  |
| <b>M 55 02 119</b>         | 2       | ● RAL 9005                | 260 (10.23") | 90 (3.54")    | 250 (9.84")  | 229 (9.01")  |
| <b>M 55 03 110</b>         | 3       | ● RAL 7035                | 350 (13.78") | 110 (4.33")   | 250 (9.84")  | 229 (9.01")  |
| <b>M 55 03 119</b>         | 3       | ● RAL 9005                | 350 (13.78") | 110 (4.33")   | 250 (9.84")  | 229 (9.01")  |
| <b>M 55 04 110</b>         | 4       | ● RAL 7035                | 261 (10.27") | 134.5 (5.29") | 300 (11.81") | 279 (10.98") |
| <b>M 55 04 119</b>         | 4       | ● RAL 9005                | 261 (10.27") | 134.5 (5.29") | 300 (11.81") | 279 (10.98") |
| <b>M 55 05 110</b>         | 5       | ● RAL 7035                | 367 (14.45") | 134.5 (5.29") | 300 (11.81") | 279 (10.98") |
| <b>M 55 05 119</b>         | 5       | ● RAL 9005                | 367 (14.45") | 134.5 (5.29") | 300 (11.81") | 279 (10.98") |
| <b>M 55 06 110</b>         | 6       | ● RAL 7035                | 474 (18.66") | 134.5 (5.29") | 300 (11.81") | 279 (10.98") |
| <b>M 55 06 119</b>         | 6       | ● RAL 9005                | 474 (18.66") | 134.5 (5.29") | 300 (11.81") | 279 (10.98") |



Version 1



Version 2



Version 3



Version 4

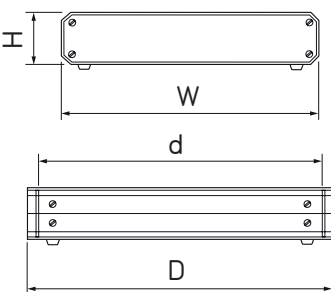


Version 5



Version 6

## Unicase SL



### PCB Size

Platinenmaße/Taille de la carte

| Version | A           | B            | T           |
|---------|-------------|--------------|-------------|
| SL1     | 111 (4.37") | 159 (6.26")  | 1.6 (0.06") |
| SL2     | 166 (6.53") | 229 (9.01")  | 1.6 (0.06") |
| SL3     | 231 (9.09") | 229 (9.01")  | 1.6 (0.06") |
| SL4     | 231 (9.09") | 279 (10.98") | 1.6 (0.06") |

| Part No.<br>Bestell-Nr/Ref | Version | Colours<br>Farben/Coloris | W           | H          | D            | d            |
|----------------------------|---------|---------------------------|-------------|------------|--------------|--------------|
| <b>M 55 11 110</b>         | SL1     | ● RAL 7035                | 130 (5.12") | 50 (1.96") | 180 (7.09")  | 159 (6.26")  |
| <b>M 55 11 119</b>         | SL1     | ● RAL 9005                | 130 (5.12") | 50 (1.96") | 180 (7.09")  | 159 (6.26")  |
| <b>M 55 12 110</b>         | SL2     | ● RAL 7035                | 185 (7.28") | 50 (1.96") | 250 (9.84")  | 229 (9.02")  |
| <b>M 55 12 119</b>         | SL2     | ● RAL 9005                | 185 (7.28") | 50 (1.96") | 250 (9.84")  | 229 (9.02")  |
| <b>M 55 13 110</b>         | SL3     | ● RAL 7035                | 250 (9.84") | 50 (1.96") | 250 (9.84")  | 229 (9.02")  |
| <b>M 55 13 119</b>         | SL3     | ● RAL 9005                | 250 (9.84") | 50 (1.96") | 250 (9.84")  | 229 (9.02")  |
| <b>M 55 14 110</b>         | SL4     | ● RAL 7035                | 250 (9.84") | 50 (1.96") | 300 (11.81") | 279 (10.98") |
| <b>M 55 14 119</b>         | SL4     | ● RAL 9005                | 250 (9.84") | 50 (1.96") | 300 (11.81") | 279 (10.98") |



Version SL1



Version SL2



Version SL3



Version SL4