


Part No. PFL8T

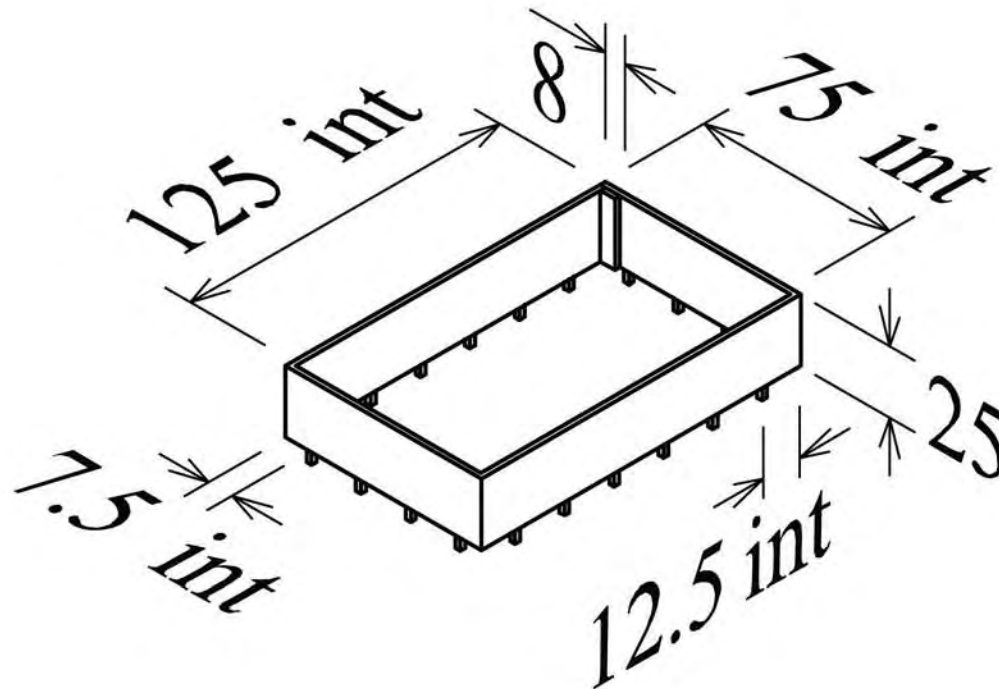
Issue A Date 30/03/2006

Drawn  Date 30/03/2006

Approved P.J.H Date 31/03/2006

Unless otherwise stated All Dimensions are in mm

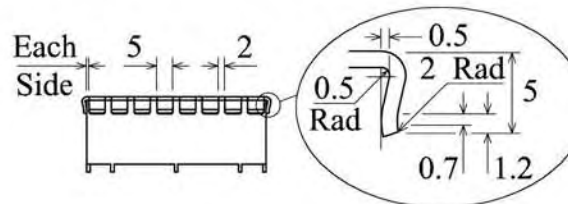
General tolerance +/- 0.25mm



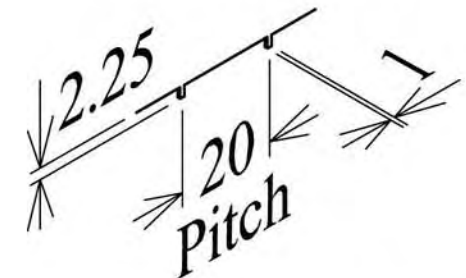
Material: Bright Mild Steel BS EN 10130 DC01
Construction: Overlapped Spot Welded Frame
Frames & Cans: 20swg (0.914mm)
Lids: 24swg (0.559mm)
Finish: Bright Acid Tin - Good Commercial Grade
Surface Resistivity: $20 \times 10^{-6} \Omega$ per square
Conductivity: 5×10^4 mho

Specification:

Note:
Supplied complete with a fingered lid



PCB Pin Size & Pitch



PCB Pin pitch tolerance +/- 0.10mm

THIS DRAWING IS THE PROPERTY OF PERANCEA LTD AND MAY NOT BE COPIED OR REPRODUCED WITHOUT OUR WRITTEN CONSENT

PERANCEA LTD

ENCLOSURE AND INSTRUMENT CASE
DESIGNERS AND MANUFACTURERS

Unit 36, Silicon Business Centre, Greenford, UB6 7JZ

Telephone: 020 8365 2520

Fax: 020 8566 7217

Email: sales@perancea.com

Web: www.perancea.com